

HEATSTRIP



LEADING HEATING TECHNOLOGY

OPERATION, INSTALLATION AND MAINTENANCE MANUAL



HEATSTRIP Elegance - EUROPE

The heater that is a design feature!





CONTENTS

Rev I Nov 16

Product overview	3
Specifications	5
Spot heating principle	6
Radiant footprint	7
Selection Guide	8
Table layout	9
Installation requirements	10
Installation location	11
Mounting options	12
Standard mounting brackets	13
Flush mount enclosure	14
FME dimensions	15
FME installation clearance dimensions	16
FME installation instructions	17
Extension mount bracket	18
Wall controller w/ remote control	19
Wall control installation	20
Safety, Maintenance	21
Warranty	22
Dutch	24
French	46
German	67



Product Overview

Why choose Heatstrip electric radiant heaters for your outdoor or hard-to-heat indoor area?

As there is typically constant air movement in an outdoor or open indoor area, many conventional patio heaters rely on convection heating which works by heating the surrounding air. This can be quite impractical for these areas, as this heated air can easily blow away with natural air movement. Radiant style heaters transfer heat directly to objects through infra-red waves.

Whilst convection heaters heat the air in between objects, radiant heaters heat the surface of the objects themselves. HEATSTRIP electric radiant heaters are more effective within an outdoor or uninsulated indoor area because they provide targeted warmth directly to the people and objects in their path.

Discrete, stylish heating for undercover outdoor and indoor open areas

Using the radiant heating principle, HEATSTRIP can provide effective and energy efficient comfort heating for undercover outdoor and indoor open areas. HEATSTRIP has successfully enabled many entertainment venues such as restaurants, pubs and clubs to utilise their outdoor dining areas day and night, through all seasons. Within your workplace or business, HEATSTRIP can provide comfort heating for designated outdoor smoking and leisure areas, as well as for workstation spot heating in factories, warehouses and showrooms. Within your home, HEATSTRIP can provide comfort heating for undercover alfresco dining and BBQ area, patios, verandas, courtyards and balconies.

Subtle, minimalist design

The stylish, slimline Off-White face of the HEATSTRIP does not emit light or glow when in use, blending elegantly into your décor. Ceiling, wall and umbrella mounting options ensure that your valuable floor and table space is not wasted.

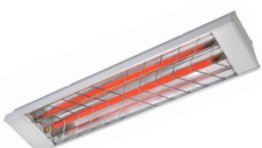
There are 4 different series of products within the HEATSTRIP product category. Each has a different temperature output, making them ideal for different applications. Below is a list of some common applications, to assist with the selection of the most effective and efficient series. This is a general guide only, please refer to the Product Manual for each product, for more information.

HEATSTRIP Max (THX models) is an ultra high temperature heater used for uncovered or open areas with a mounting height of 2.4 m to 3.5m.

HEATSTRIP Design / Elegance (THH/THE models) is a premium high temperature heater and is primarily used for outdoor rooms where there is 1,2 3, or 4 enclosed sides, with an ideal mounting height of 2.1 m to 2.7m.

HEATSTRIP Indoor (THS models) is a medium intensity heater used for protected indoor applications.

APPLICATION	THX	THH	THE	THS
Indoor insulated areas, classrooms, offices, bathrooms, wet areas, drying rooms	√	√	√	√
Outdoor under cover, café, veranda, patio, balcony ceiling height 2.7m or less		√	√	
Outdoor under cover, café, veranda, patio, balcony ceiling height 2.7m to 3.0m	√			
Highly exposed outdoor area	√			
Indoor open area, warehouse, factory, production areas, sports facilities	√	√	√	√
Indoor spot heating, above tables, assembly areas	√	√	√	





Efficient, cost effective electric heating

The innovative design of the HEATSTRIP enables comfortable and even heat dispersion from the surface with minimal operating costs.

Design flexibility

4 HEATSTRIP models are available, ensuring the heating requirements of any undercover outdoor or open indoor area is possible. Brackets for direct ceiling or wall/ceiling angled mounting are supplied as standard. Optional HEATSTRIP accessories include extension mount brackets and flush mounting enclosures.

Australian made

HEATSTRIP is designed, engineered and assembled in Australia.

Stylish design— *The Heater that is a Design Feature!*

The attractive HEATSTRIP Elegance comes with a standard Off-White face and anodised alloy rear casing.

Easy to use

The HEATSTRIP is controlled by a simple on/off operation, either when plugged directly into a power point, or hard-wired via a wall mounted on/off switch. The unit takes approximately 15 minutes to heat up to maximum temperature and approximately 30 minutes to cool down, depending upon the ambient temperature. Please don't forget to turn it off.

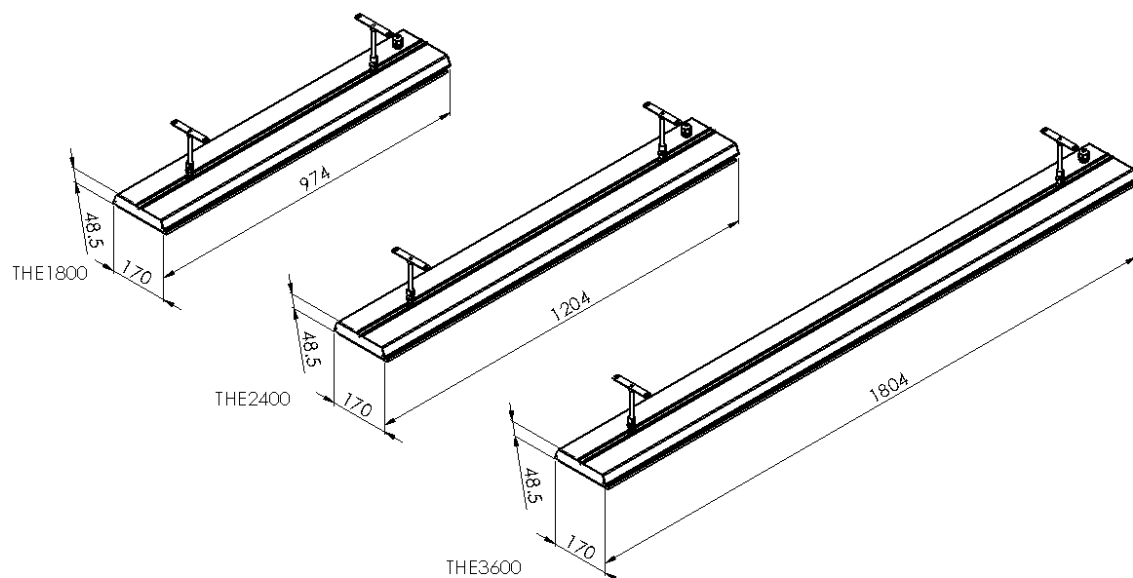




Specifications - Europe

MODEL	POWER (WATTS)	CURRENT (AMPS)	DIMENSIONS (mm)	WEIGHT (Kg)	LEAD LENGTH (mm)	PLUG	VOLTAGE (VOLTS)
THE1800EU	1800	7.5	974x 170 x 48.5	4	1000	YES	230
THE2400EU	2400	10	1204 x 170 x 48.5	7	1000	YES	230
THE3600EU	3600	15	1804 x 170 x 48.5	9	1000	NO	230
THE1800UK	1800	7.5	974x 170 x 48.5	4	1000	YES	240
THE2400UK	2400	10	1204 x 170 x 48.5	7	1000	YES	240
THE3600UK	3600	15	1804 x 170 x 48.5	9	1000	NO	240

HEATER TYPE	High intensity electric radiant overhead heater with high surface area profiled alloy	
OUTPUT	Refer to model code chart above	
POWER	230-240 Volts Nominal at 50—60 Hertz, Single Phase	
CONNECTION	3 Core Cable 2.5mm ²	
APPROVALS	CE	
MOUNTING HEIGHT	MINIMUM RECOMMENDED MAXIMUM	2.1 m 2.3 m to 2.7 m 3.0 m (For higher ceiling heights, units can be lowered using optional bracket kits or refer to the Heatstrip Max range)
MOUNTING OPTIONS	Suitable for ceiling, wall, beam, fixed umbrella and recess mounting. Also available for extension mount using rigid fixing poles and chain mount bracket.	
PROTECTION RATING	IP55 Protection from water ingress from all directions	
COUNTRY OF MANUFACTURE	Australia	





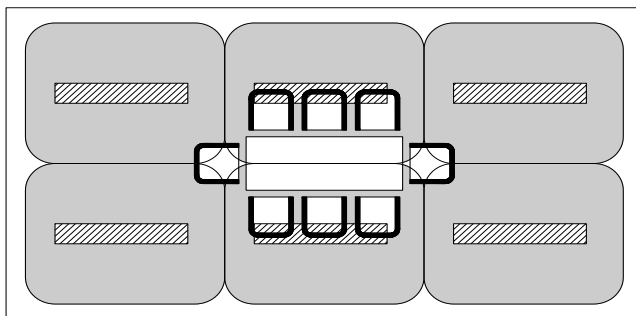
Spot Heating Principle

In most outdoor or difficult-to-heat indoor applications, there are 2 options when looking at the size and quantity of the heater required. Option 1 is to comfort heat the entire area based on the total dimensions of the space, regarding of whether the entire area is being fully occupied. Option 2 is to spot heat the high use areas, such as over outdoor tables, BBQ's, lounges, assembly lines or indoor workstation.

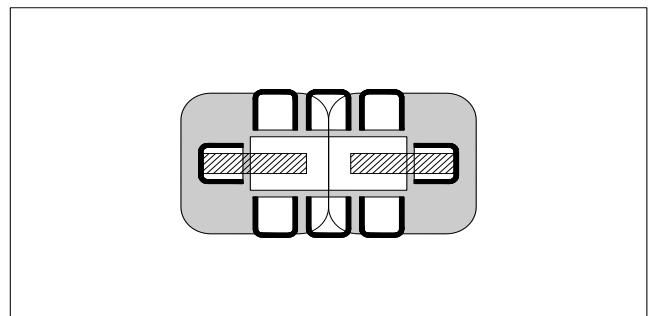
Often it is more practical and efficient to spot heat these areas. Spot heating will help to reduce the initial capital cost, as well as the running costs. Spot heating will allow the area to be "zoned", meaning heating only the areas that are being used, such as tables in a restaurant or outdoor alfresco area.

The top table shows a comparison between spot heating over a table, or heating an entire area.

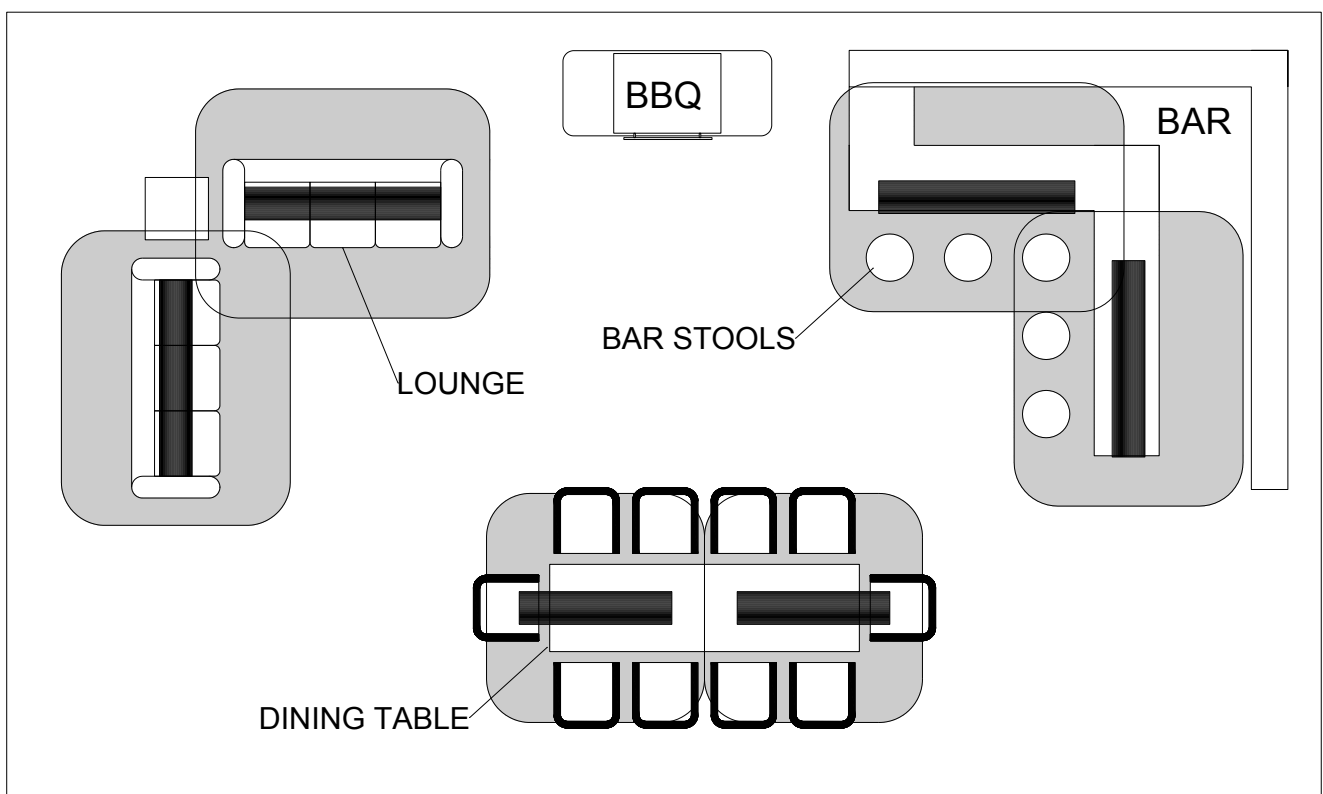
The bottom table shows the flexibility of using HEATSTRIP to provide a comfortable environment, even when the layout of the area is very unusual.



Option 1 - 6 x THE2400AEU



Option 2 - 2 x THE2400AEU





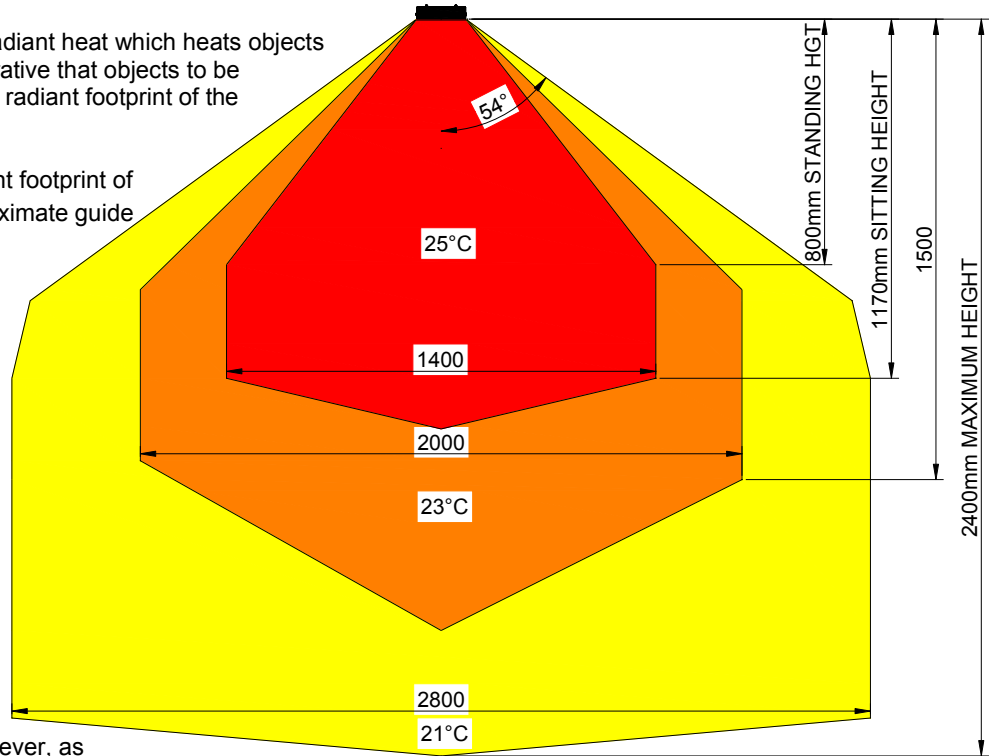
Radiant Footprint

HEATSTRIP electric heaters produce radiant heat which heats objects rather than the air. Therefore, it is imperative that objects to be heated (ie. people), are within the direct radiant footprint of the heater.

The diagram to the left shows the radiant footprint of HEATSTRIP Elegance, and is an approximate guide based on a fully enclosed, outdoor environment.

This diagram shows that the maximum heat output is found directly under the heater, and the temperature decreases as you move away from the heater. It highlights the importance of maintaining recommended mounting heights, and if possible, positioning the heater directly above the area to be heated.

Also, the temperature (ie. surface temperature) is the same for all 3 models, regardless of the wattage. However, as the size increases and the length of the unit increases, the radiant footprint will be larger.

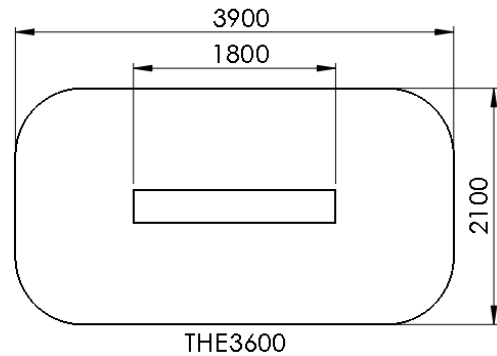
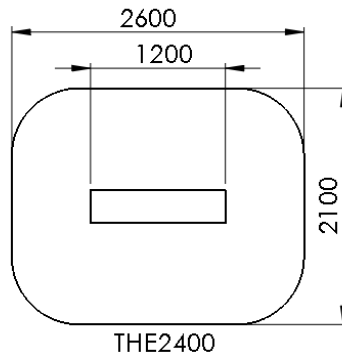
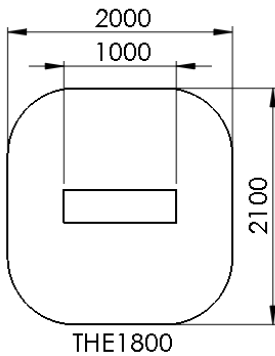


The below diagrams show the approximate heating area for each model, based on both an indoor and outdoor enclosed environment, with direct overhead mounting.

Radiant footprint is reduced in angled, wall mounted applications.

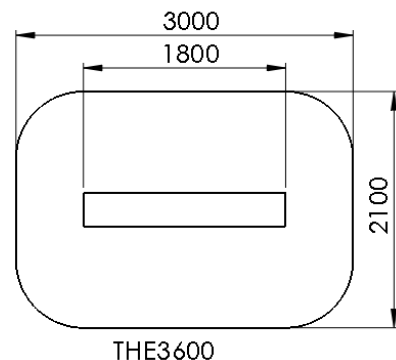
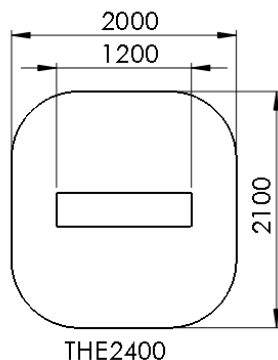
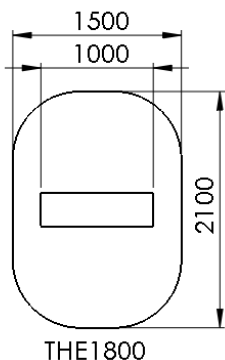
HEATED AREA

INDOOR SPOT HEATING



HEATED AREA

OUTDOOR ENCLOSED HEATING





Selection Guide

General recommendations for **HEATSTRIP Elegance**:

- Ideal mounting height: 2.3m to 2.5m. Maximum is 2.7m in a fully protected/enclosed outdoor environment.
- Ideal mounting location: ceiling mounted, directly above area to be heated (eg. above a table)
- Minimum recommended heating capacity for various installations are: 400W/m² for indoor spot heating; 500W/m² for protected outdoor areas, and 600W/m² for exposed outdoor areas. To ensure the HEATSTRIP Elegance provides satisfactory performance, HEATSTRIP strongly recommends using conservative coverage areas when specifying how many heaters are required for each installation.

The table below outlines the *maximum* coverage of each **HEATSTRIP Elegance** model based on 3 different scenarios with direct overhead mounting at minimum installation height. For example, for an outdoor area that is protected from prevailing winds by walls, café blinds etc, Model THE1800 will cover a *maximum* of 3.6m² and Model THE2400 will cover a *maximum* of 4.8m².

For angled wall mounting applications, the coverage is reduced by up to 40%.

MODEL	INDOOR PROTECTED (m ²)	OUTDOOR ENCLOSED (m ²)	OUTDOOR EXPOSED (m ²)
THE 1800	4.5	3.6	3
THE 2400	6	4.8	4
THE 3600	9	7.2	6

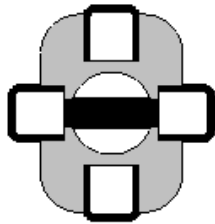




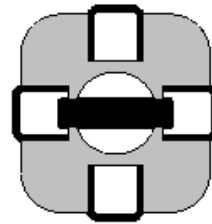
Table Layout

For the majority of outdoor applications, the most effective method is to spot heat a table or similar area. The below diagrams provides an easy selection guide for the approximate model and quantity of heaters required to heat common residential table settings.

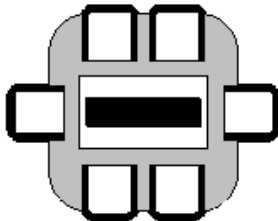
Selections are based on HEATSTRIP Elegance being mounted at 2.4m from the floor and an undercover fully enclosed outdoor area.



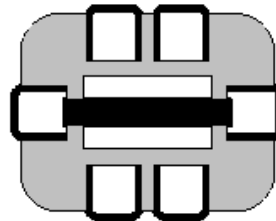
THE1800



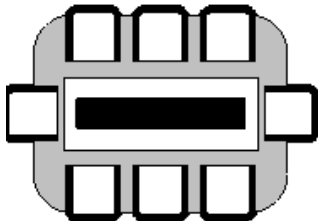
THE2400



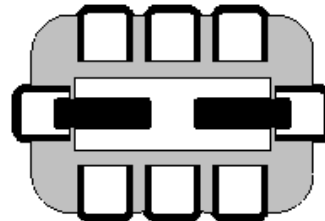
THE2400



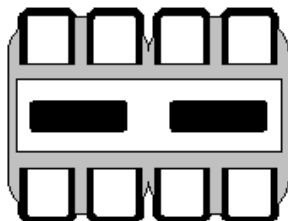
THE3600



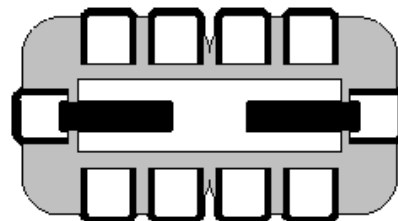
THE3600



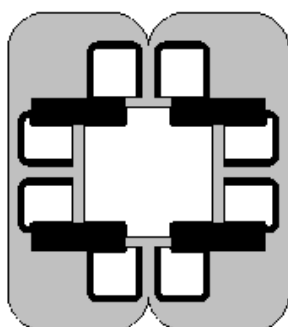
2 x THE1800



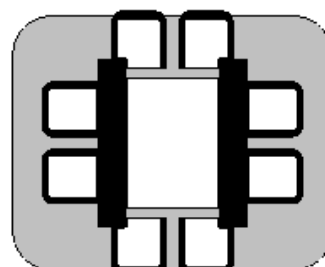
2 x THE1800



2 x THE2400



4 x THE1800



2 x THE3600



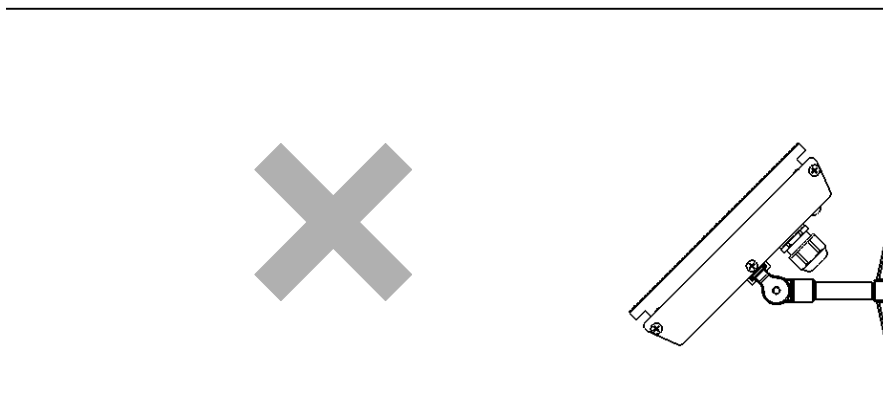
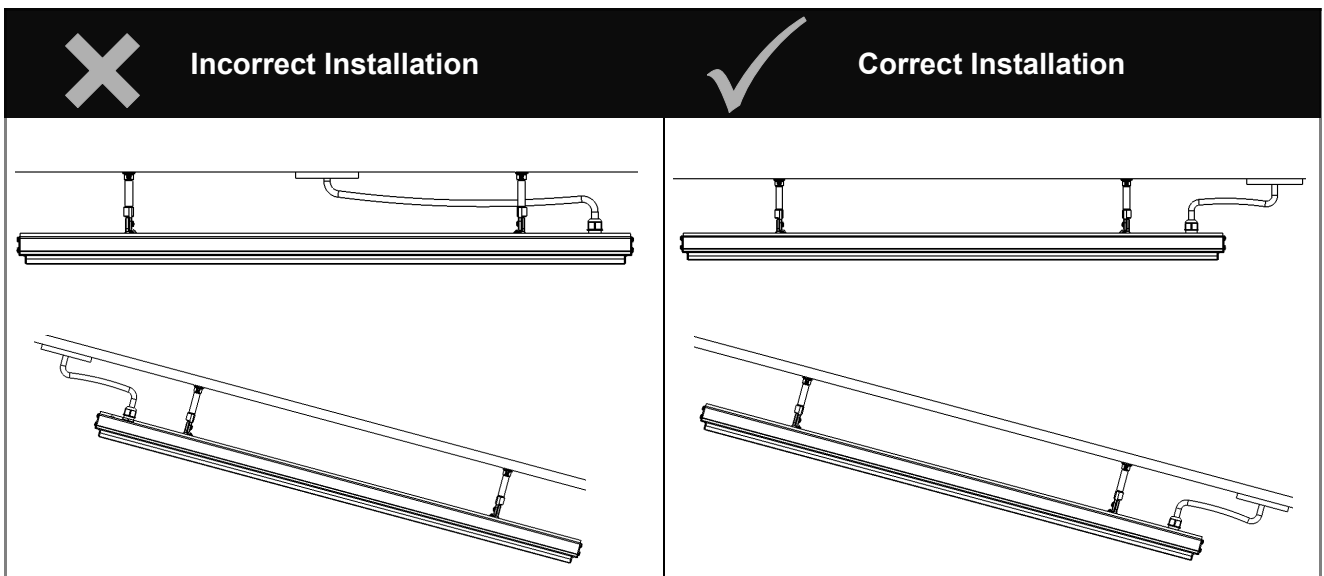
Installation Requirements

The ideal mounting position for the HEATSTRIP® Elegance is on the ceiling, directly above the area to be heated. If this is not possible, HEATSTRIP® can be mounted on a wall and angled downwards. In this situation, ensure the mounting height is in the range of 2.1m to 2.7m and the table is within 2.5m of the wall.

For mounting heights more than 3m, we recommend the use of the optional accessories to reduce the height of the heater to 2.3m - 2.7 m. This will increase the effectiveness of your HEATSTRIP®. Refer to the Mounting Accessory section for more information.

Electrical connections/GPO's should not be located at the back of the heater. They should be located outside the physical footprint of the units to minimize heat build-up behind the units.

If the heater is to be mounted on an incline (eg. Vaulted ceiling), ensure the electrical connection is located at the lowest point of the heater.

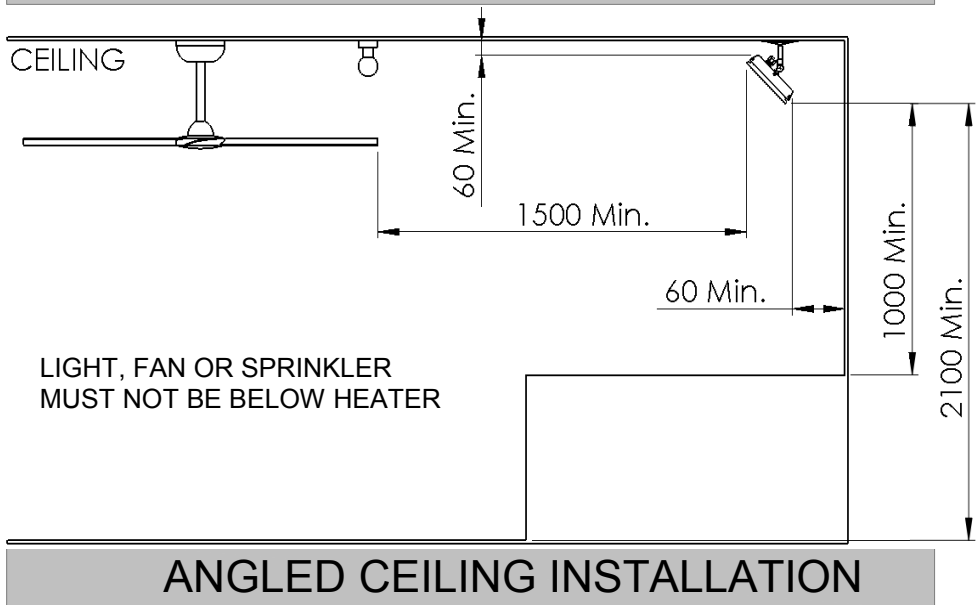
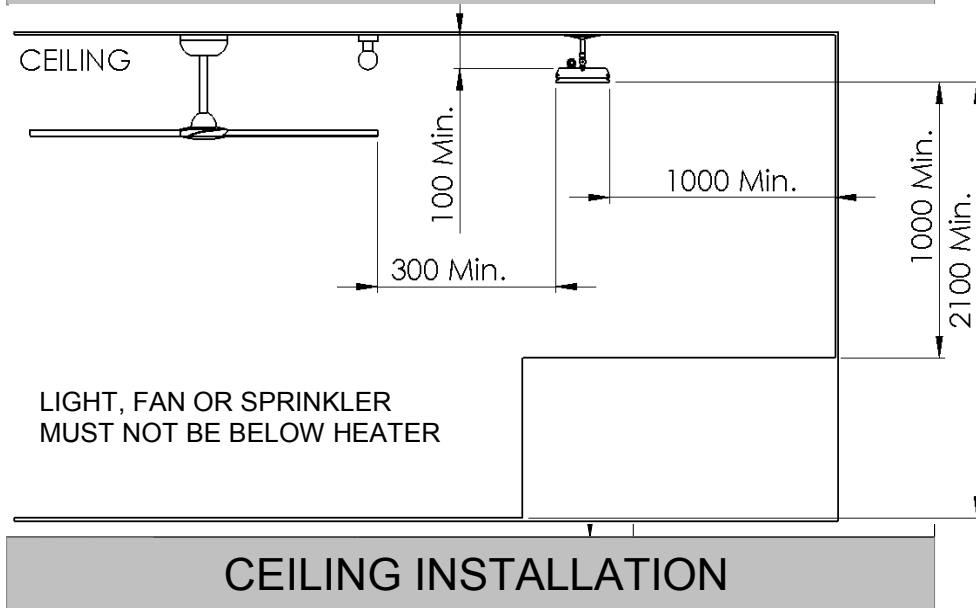
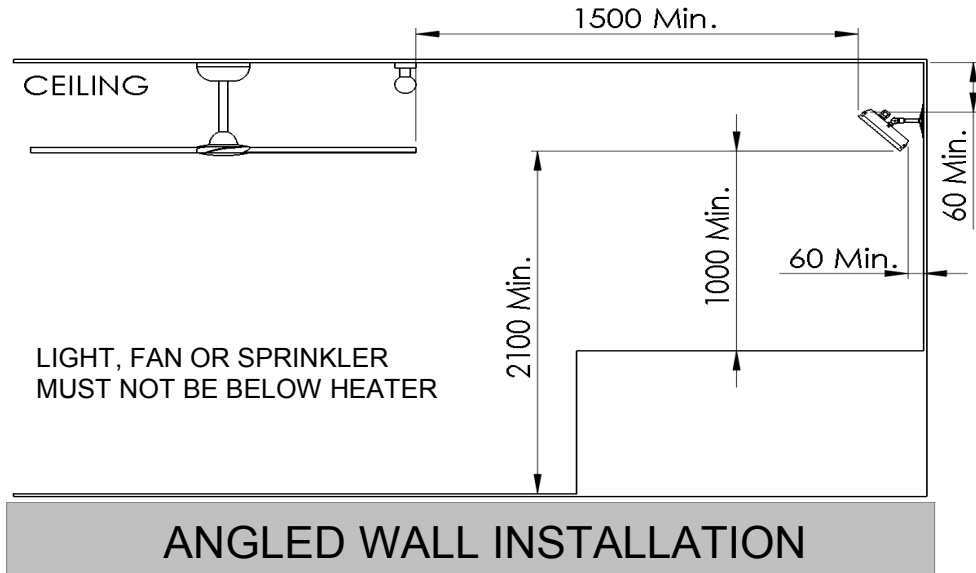


The heating surface must never be directed toward the ceiling



Installation Location

the below diagrams confirm the minimum recommended clearances.

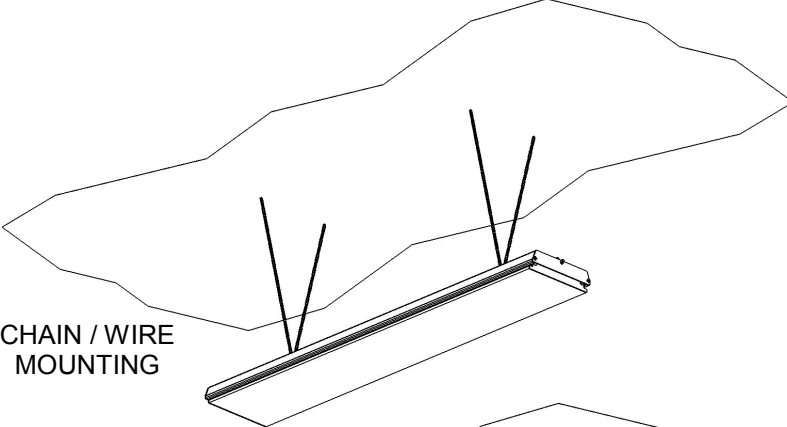
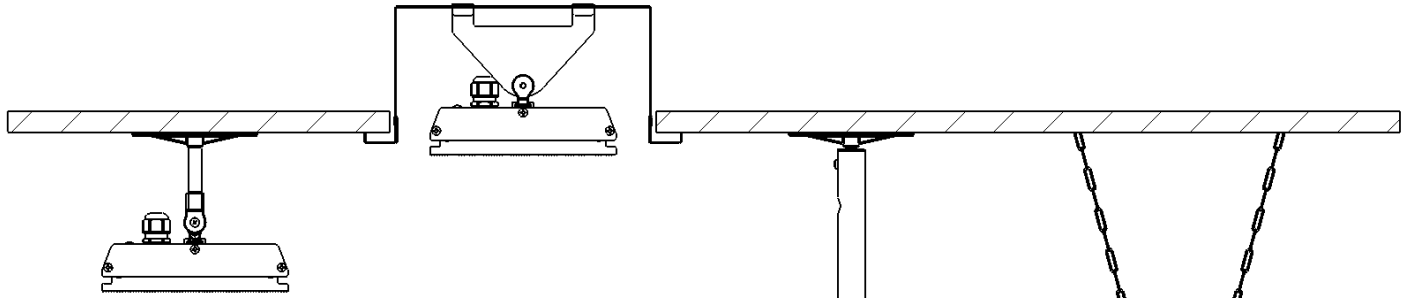




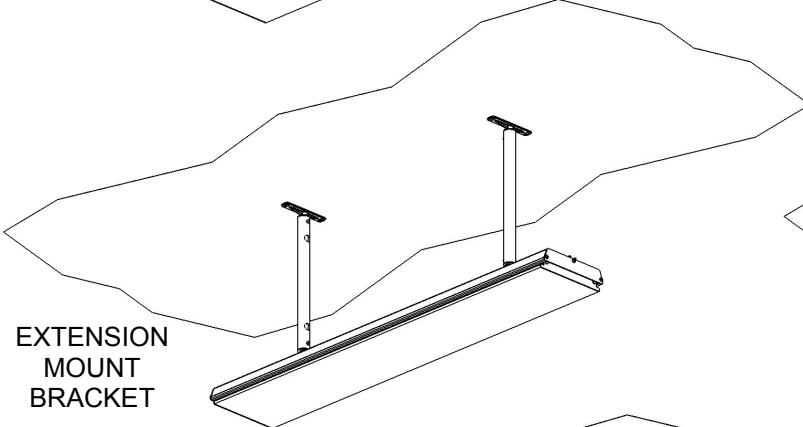
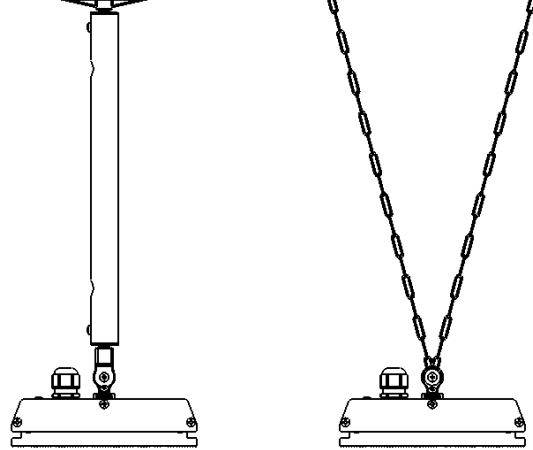
Mounting Options

The installation of HEATSTRIP Elegance is simple and easy with the standard mounting brackets supplied. For other more challenging locations there are a range of mounting options available - refer to below diagrams.

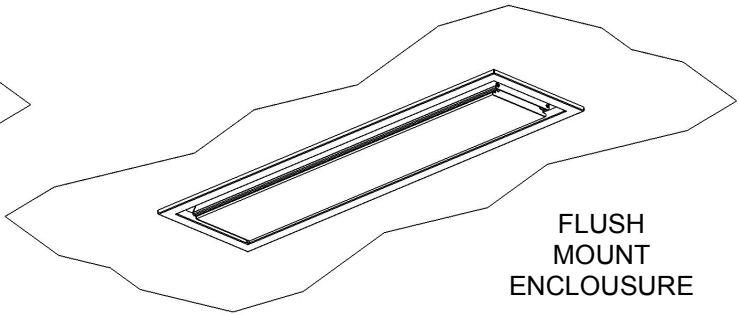
The HEATSTRIP Elegance can be mounted directly to the ceiling, angled downwards on a wall, fitted flush with the ceiling; suspended on chains or poles; attached to beams or poles; mounted end-to-end, or 2 units together. Refer to the following pages for more detailed information on each mounting option.



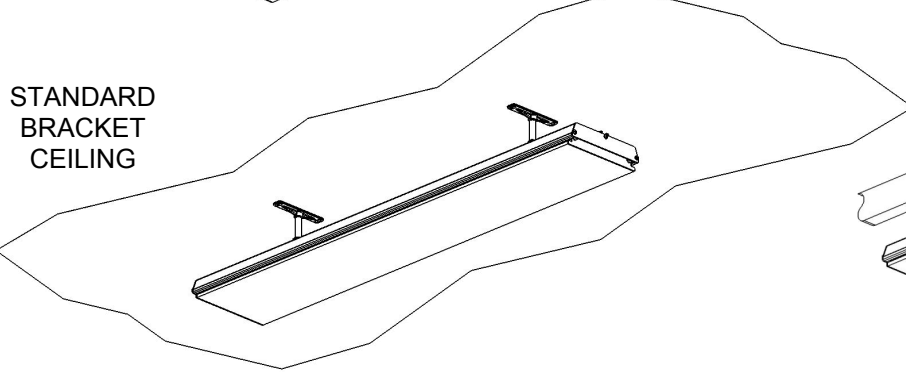
CHAIN / WIRE MOUNTING



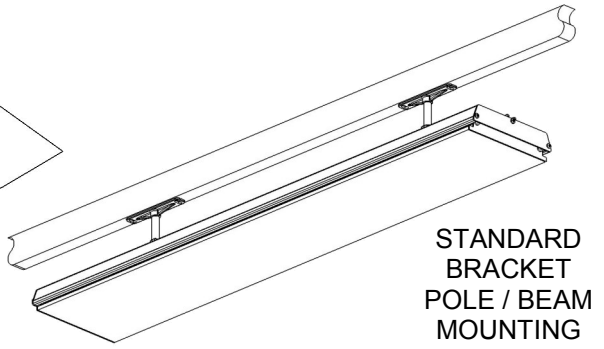
EXTENSION MOUNT BRACKET



FLUSH MOUNT ENCLOSURE



STANDARD BRACKET CEILING

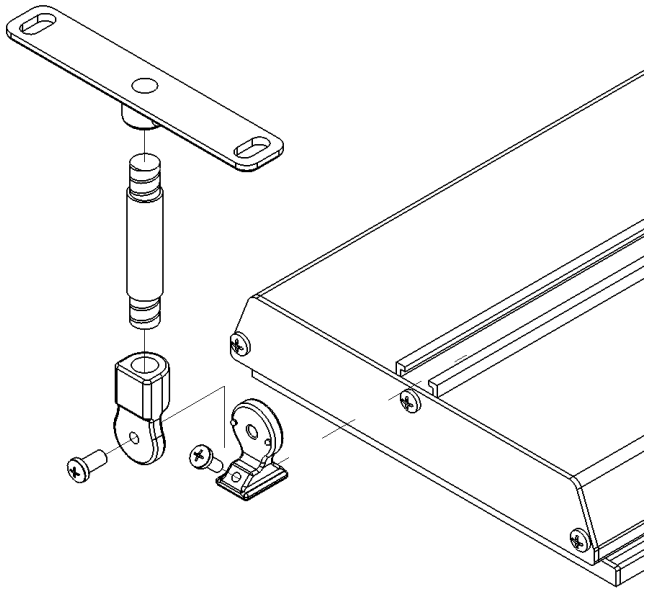
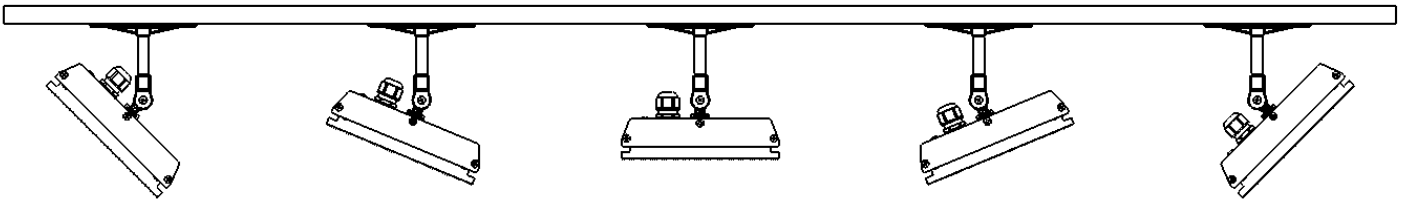


STANDARD BRACKET POLE / BEAM MOUNTING

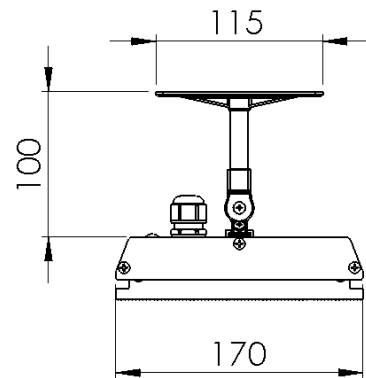
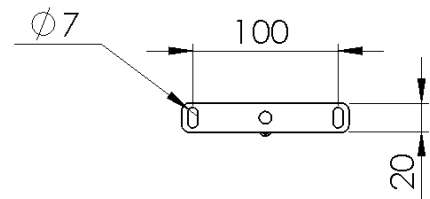
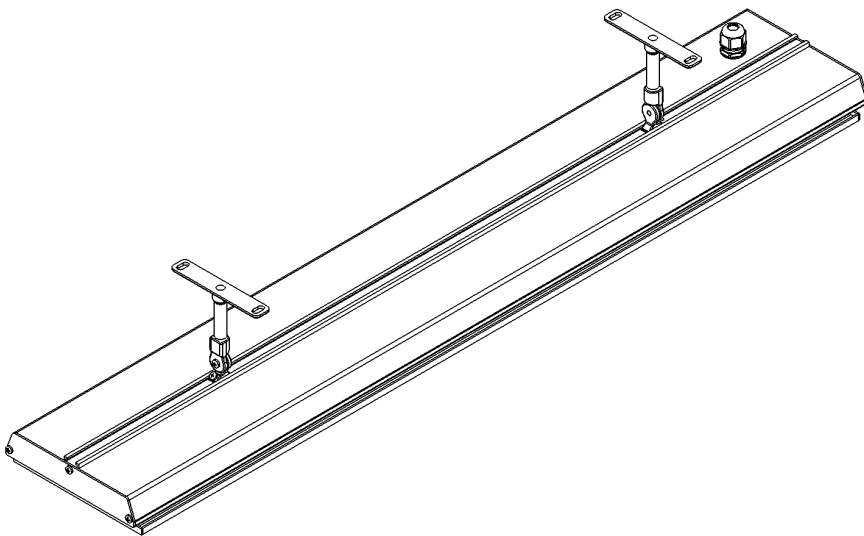
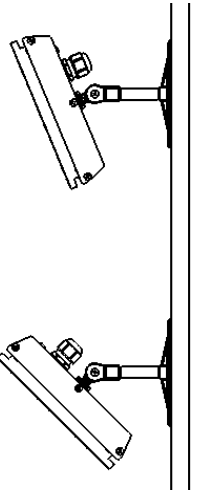


Standard Mounting Brackets

The HEATSTRIP Elegance comes with a pair of standard mounting brackets. These adjustable brackets allow direct ceiling or wall mount, and come with preset angle options of parallel, 22.5° and 45°.



MODEL	"D" MINIMUM DISTANCE (mm)
THE1800	570
THE2400	700
THE3600	1000



PART No	PACKAGED DIMENSIONS (mm)	WEIGHT (kg)	MATERIALS	COLOUR
ZBRAK-110	125 x 150 x 40	0.2	ALLOY	Off-White



Flush Mount Enclosure

The Flush Mount Enclosure is an ideal way to neatly install the HEATSTRIP Elegance into a ceiling. They are available for all HEATSTRIP Elegance models, and are supplied as a one-piece unit for mounting of heaters. Flush mounting can be used with plaster or wood lined or concrete ceiling materials.

An ideal mounting height is 2.5m-2.7m, with a maximum ceiling height of 3.0m in an outdoor enclosed environment. Maximum mounting heights should be strictly followed, otherwise the performance of the units may be reduced.

Safety

Do not allow any cables, furnishings, flammable materials or other items come in contact with any surface of the Flush Mount Enclosure.

The Flush Mount Enclosure needs to be installed as per the installation instructions paying special attention to the minimum clearances. The heater needs to be mounted on a rigid bracket or fixing.

Maintenance Flush Mount Enclosure

The Flush Mount Enclosure is made from durable materials, however regular care and maintenance of your product will help prolong its life.

It is recommended that you wipe down your Flush Mount Enclosure and with a soft cloth gently wipe the surfaces of the Flush Mount Enclosure with a mild detergent to remove the built up contaminants from the environment. Then with a clean cloth ensure all detergent is removed.

All chemicals in the atmosphere including cigarette smoke, pollution etc. will tarnish the surface of the Flush Mount Enclosure. In this case, additional cleaning and maintenance may be required. The cleaning process at least every three months will reduce the amount of build up and keep it looking as best it can. If the Flush Mount Enclosure is in a corrosive environment eg. salt spray, we recommend that you clean the Flush Mount Enclosure every week.

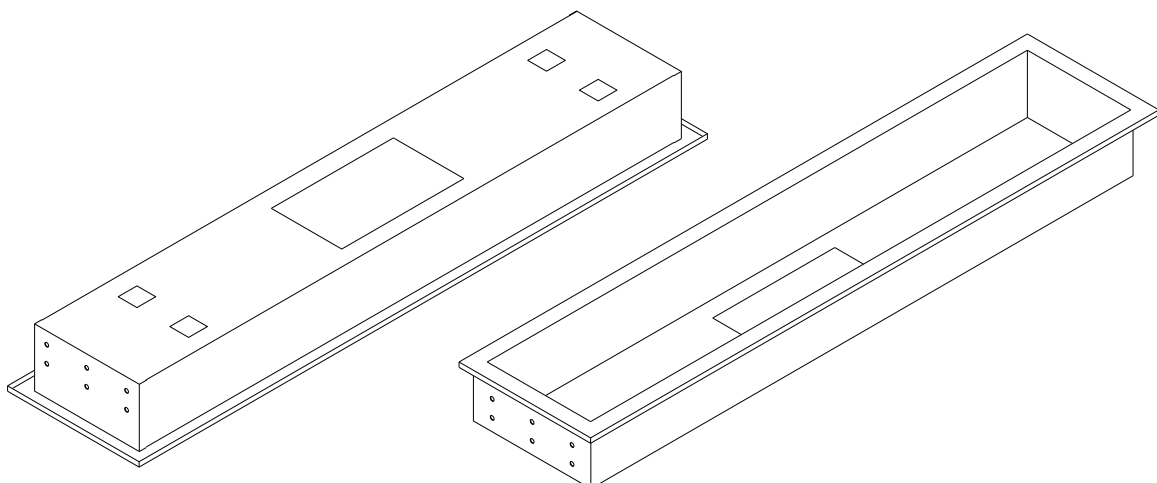
Before cleanings or inspection activity, the heater must be switched off and cooled down completely. Do not use any abrasive materials or products to clean the Flush Mount Enclosure, this includes solvents, citrus based cleaners or other harsh cleaning products.

When handling the Flush Mount Enclosure, ensure that your hands are clean or that you use clean gloves as grease or dirt can mark the surface of the heater.

Do not use high pressure water to clean Flush Mount Enclosure. It is not recommended to hose down the Flush Mount Enclosure and heater as water may get into the roof cavity.

VIEW FROM TOP

VIEW FROM UNDERNEATH





Flush mount enclosure

The Flush Mount Enclosure is an ideal way to neatly install the HEATSTRIP into a ceiling. They are available for all HEATSTRIP Elegance models, and are supplied as a one-piece unit suitable for mounting individual heaters. Flush mounting can be used with plaster or timber lined ceiling materials.

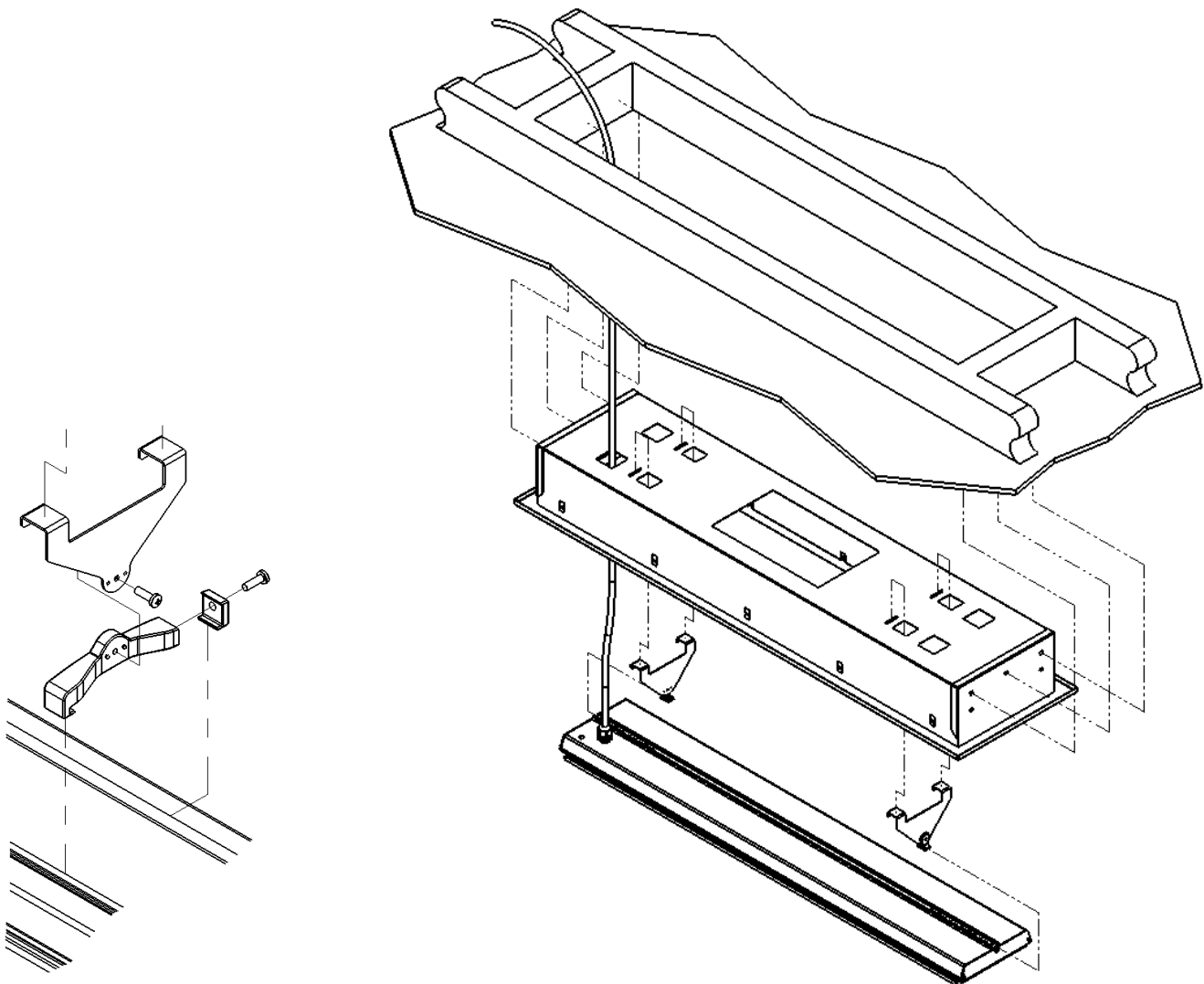
An ideal mounting height is 2.3m-2.5m, with a maximum ceiling height of 2.7m in an outdoor enclosed environment. Maximum mounting heights should be strictly followed, otherwise the performance of the units may be reduced.

A minimum clearance of 50mm behind the enclosure must be provided.

The enclosure is manufactured from powder coated steel.

Please refer to the Flush Mount Enclosure Installation Manual for more detailed installation information.

SUITABLE FOR MODEL	PART No	HOLE CUTOUT DIMENSIONS (mm)	OVERALL DIMENSIONS (mm)	WEIGHT (kg)
THE 1800	THEAC-040	1030 x 240	1080 x 290 x 125	6
THE 2400	THEAC-041	1260 x 240	1310 x 290 x 125	8
THE 3600	THEAC-042	1860 x 240	1910 x 290 x 125	9

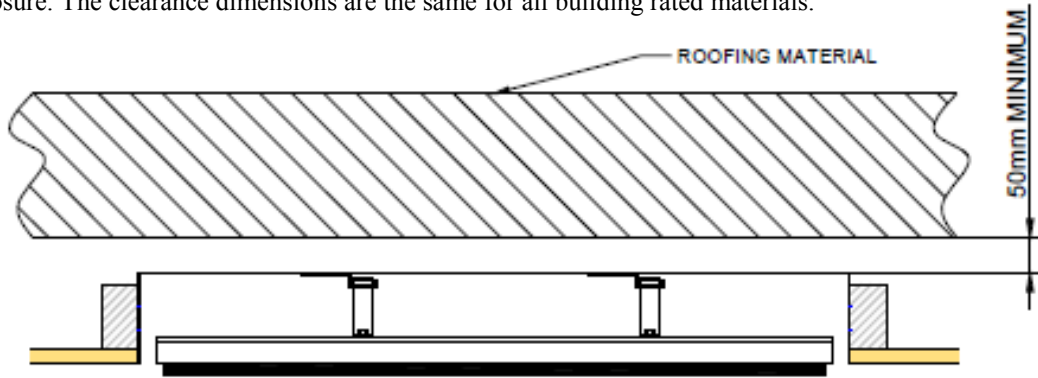




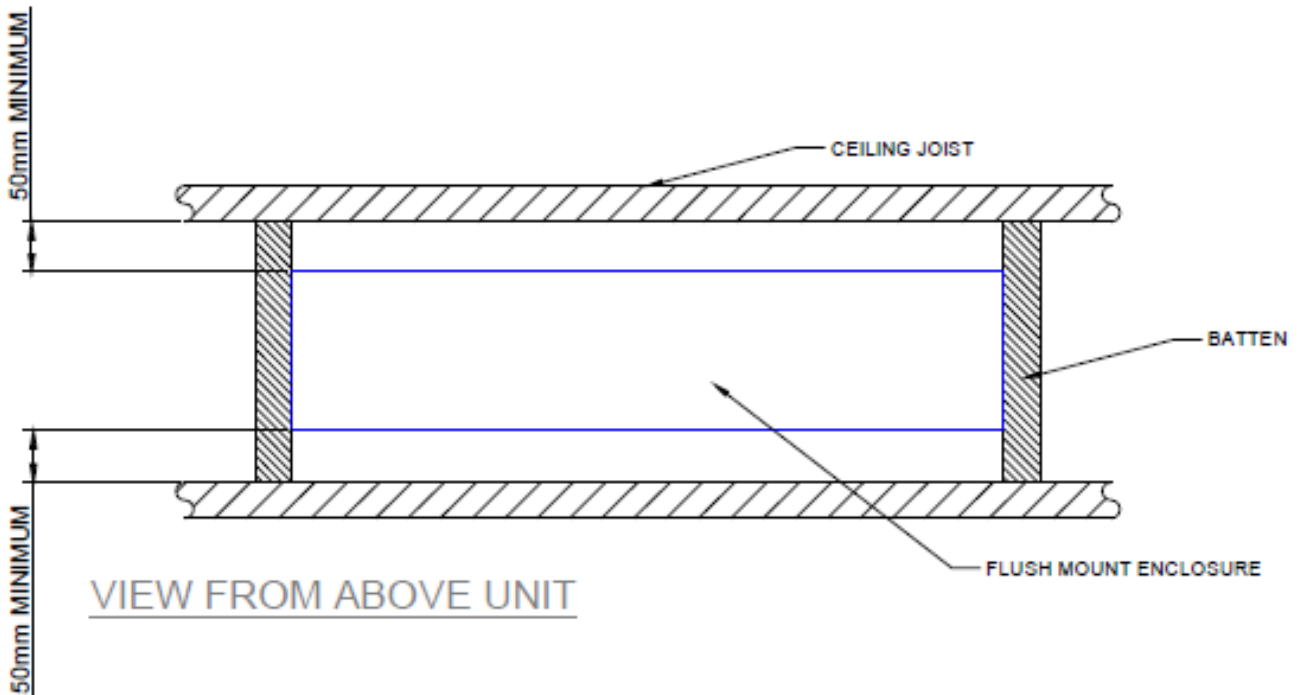
Flush Mount Enclosure Installation Clearance Dimensions

Shown in the diagrams below are the minimum clearance required for the installation of the Flush Mount Enclosure.

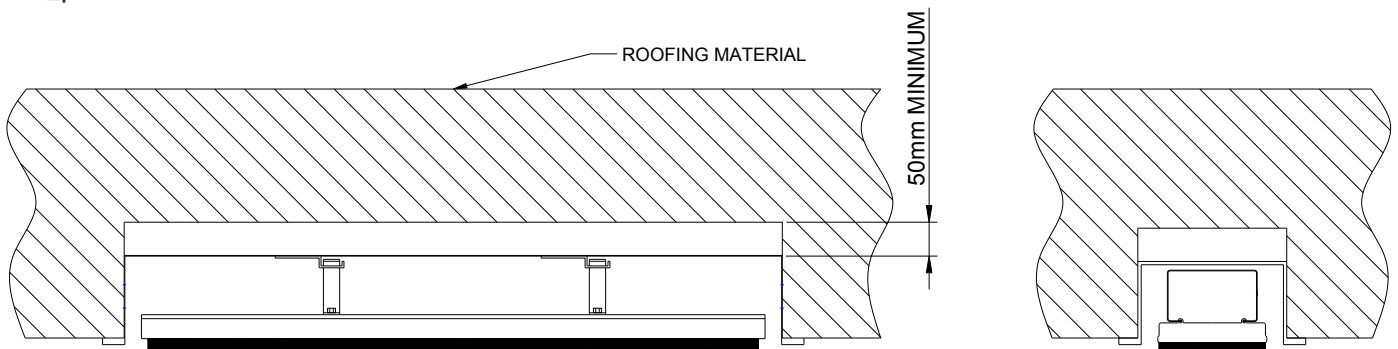
It is imperative that all cables, backing materials, insulation and other materials are kept clear of the back and the sides of the Flush Mount Enclosure. The clearance dimensions are the same for all building rated materials.



VIEW FROM SIDE



VIEW FROM ABOVE UNIT



CONCRETE CEILING



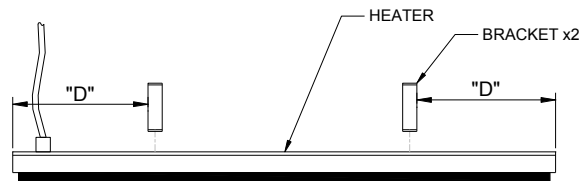
Installation Instructions

Ensure all minimum clearance requirements are met and the materials used are compliant to your local building codes.

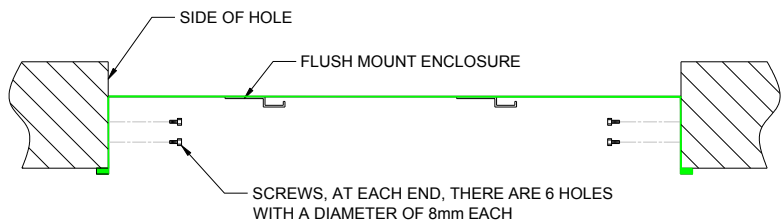
Before installing the Flush Mount Enclosure, ensure the site to be fixed is fully prepared with the hole cut the correct size and the mounting points securely in place.

MODEL	"D" DISTANCE FROM END TO BRACKET (mm)
THE1800	175
THE2400	225
THE3600	300

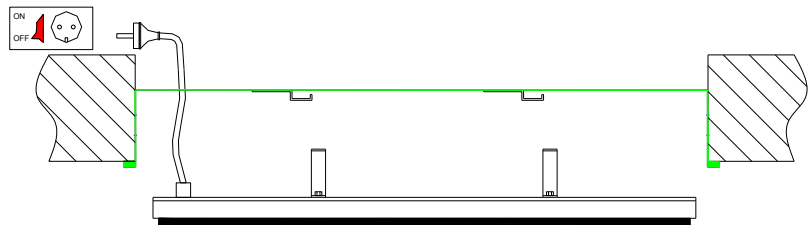
STEP 1: Attach the brackets to the rear of the heater. The dimensions for the spacing of the brackets is listed in the table.



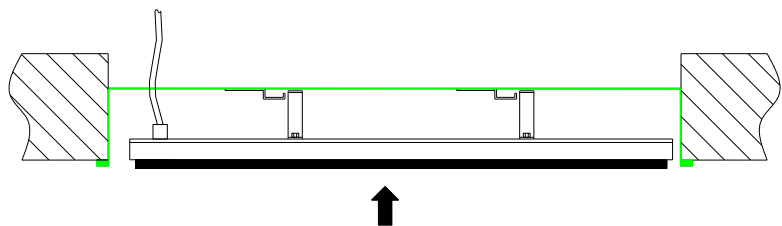
STEP 2: Screw the Flush Mount Enclosure into the side of the hole. **NOTE:** screws are not included.



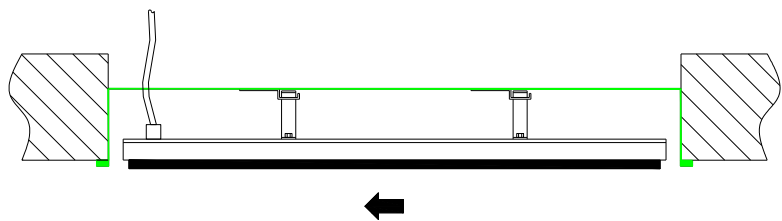
STEP 3: If there is no roof access, connect the heater to the power source, ensure the power is OFF.



STEP 4: Lift the heater into the Flush Mount Enclosure ensuring the brackets are to the side of the mounts



STEP 5: Push the heater to the left ensuring the brackets engage in the mounts. It will then drop in. Shake the heater to ensure that it is securely mounted.

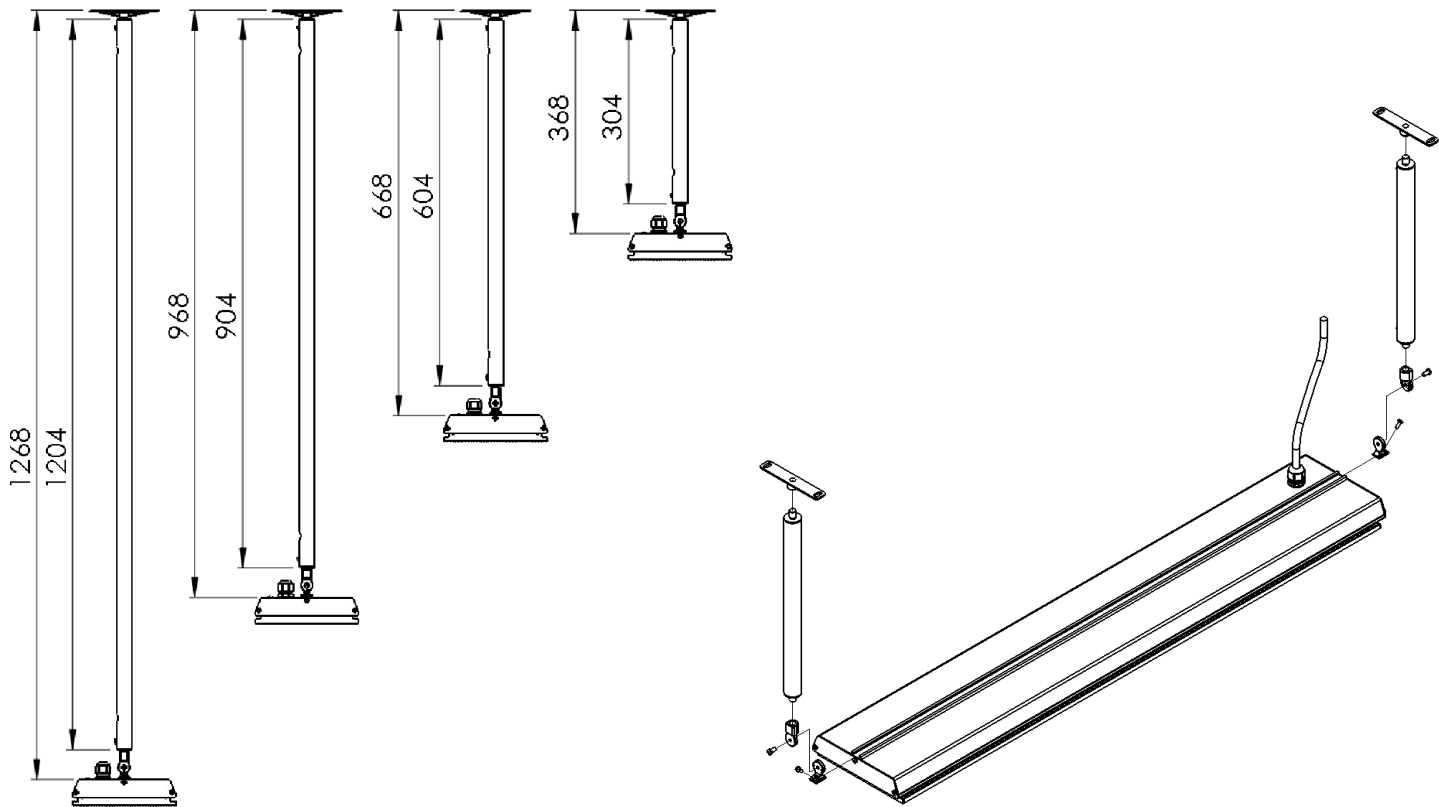




Extension Mount Bracket

The Extension Mount bracket allows HEATSTRIP Elegance units to be lowered from high ceilings, using rigid connections. The brackets are for use with 25mm x 25mm x 1mm tube (SHS, and can be supplied as brackets only for customising the length of the drop on site; or supplied as a complete kit with brackets, pre-cut poles and connections. The standard length options as part of the kit are 150mm, 300mm, 600mm and 1200mm.

The kits include all brackets, poles and screws necessary for connection to the heaters, however it does not include screws for attachment to the ceiling.



PART No	PACKAGED DIMENSIONS (mm)	WEIGHT (kg)	MATERIALS	NOTES
THEAC-043		0.21	6060 AL	Kit includes 2x300mm extension pole, screws and bracket adaptors
THEAC-044		0.38	6060 AL	Kit includes 2x600mm extension pole, screws and bracket adaptors
THEAC-045		0.55	6060 AL	Kit includes 2x900mm extension pole, screws and bracket adaptors
THEAC-046		0.71	6060 AL	Kit includes 2x1200mm extension pole, screws and bracket adaptors



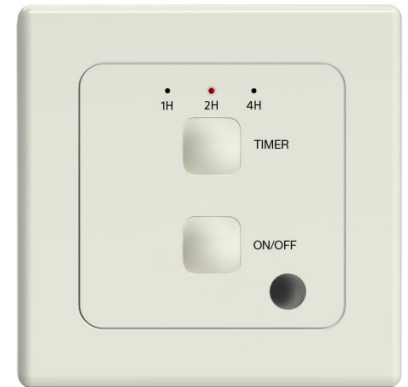
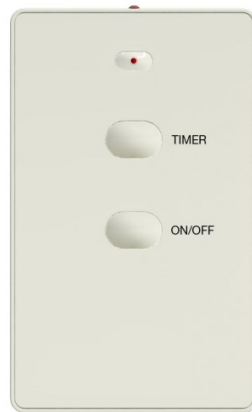
Wall Controller with Remote Control

This controller is a custom designed and manufactured controller for HEATSTRIP . It has been designed for ease of use to ensure economic running costs of your heater. It provides a timer for automatic heater operation.

The timer function has four settings. It can turn the heater on for 1 hour, 2 hours, 4 hours or constantly on.

The timer can be operated where it is installed or via remote control unit. It has pre set timing for 1 hour, 2 hours or hours or continuous, allowing the heater to operate continuously.

The remote control has a range of 10 metres and must be within line of sight of the wall switch.



Controlling multiple units

It is possible to use one wall controller to control multiple heaters up to 16 Amps load. The wall controller is rated at 16 Amps and 220-240 volts. For larger current draw, it is recommended that you talk to your electrician who can use a relay to connect more units.

Mounting

The TT-MTR is designed to fit into a standard European wall gangbox. It will just as easily fit into a plaster wall. Your electrician can install this device.

The controller needs to be installed according to your local wiring guidelines.

Operation

Press "ON/OFF" button to turn power on and off.

Press "TIMER" button to set timer to 1, 2, 4 hours operation. The timer indicator light will show which time setting is selected. The timer will start the heater and automatically turn it off at the preselected time.

Safety

The TT-MTR controller must be installed in a dry location. It is not suitable for installation where rain or water could affect the unit.

Ensure the connections are properly connected.

This appliance is not intended for use by persons (including children) with reduced physical, sensory or intellectual capabilities, or lack of experience and knowledge, unless they have been given supervision or instruction concerning use of the appliance by a person responsible for their safety. Children should be supervised to ensure they do not play with the appliance.

Maintenance

The TT-MTR Controller is made from durable materials, however regular care and maintenance of your controller will help prolong the life of the product.

It is recommended that you dust the controller to keep the surface clean. The cleaning process at least every three months will reduce the amount of build up and keep it looking as best it can.

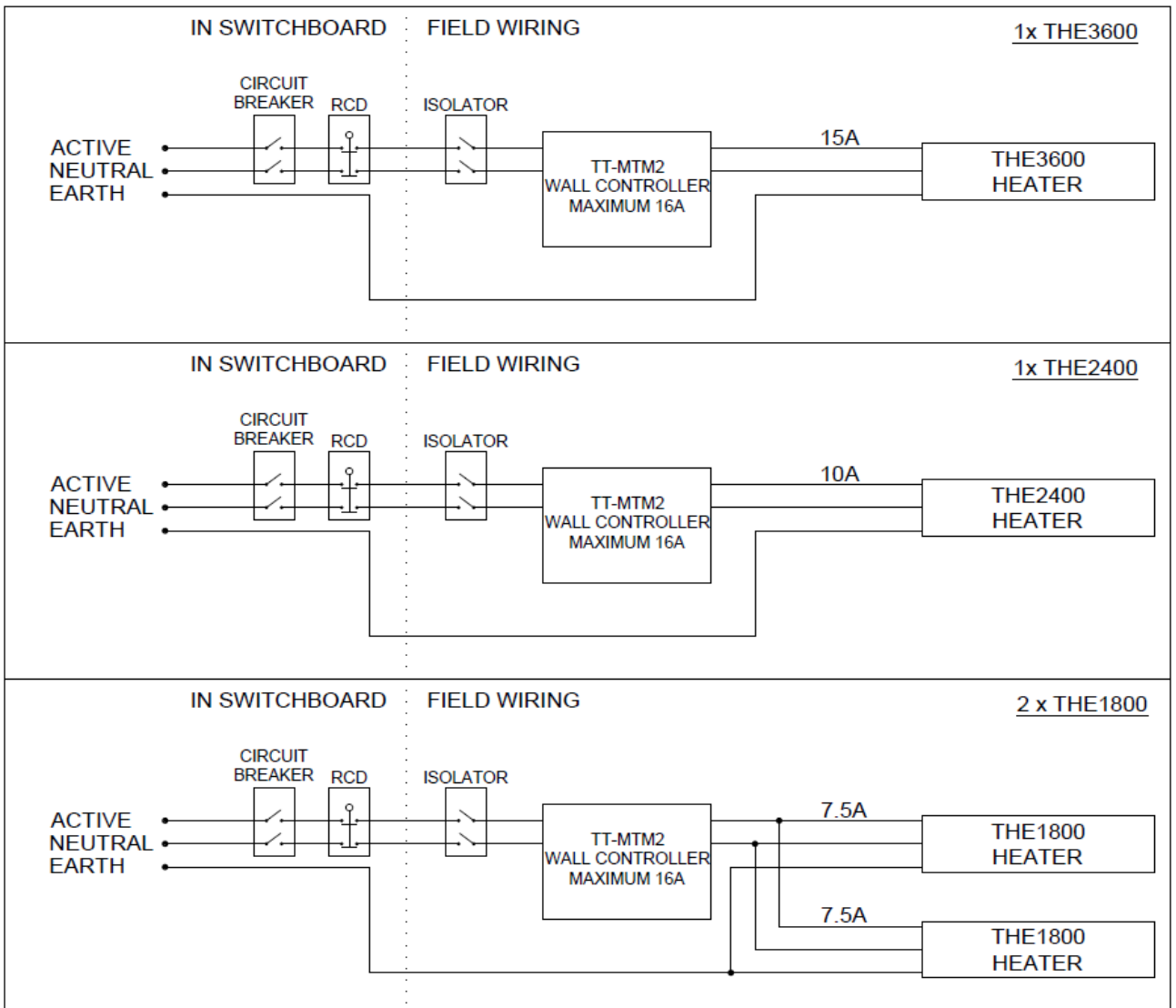
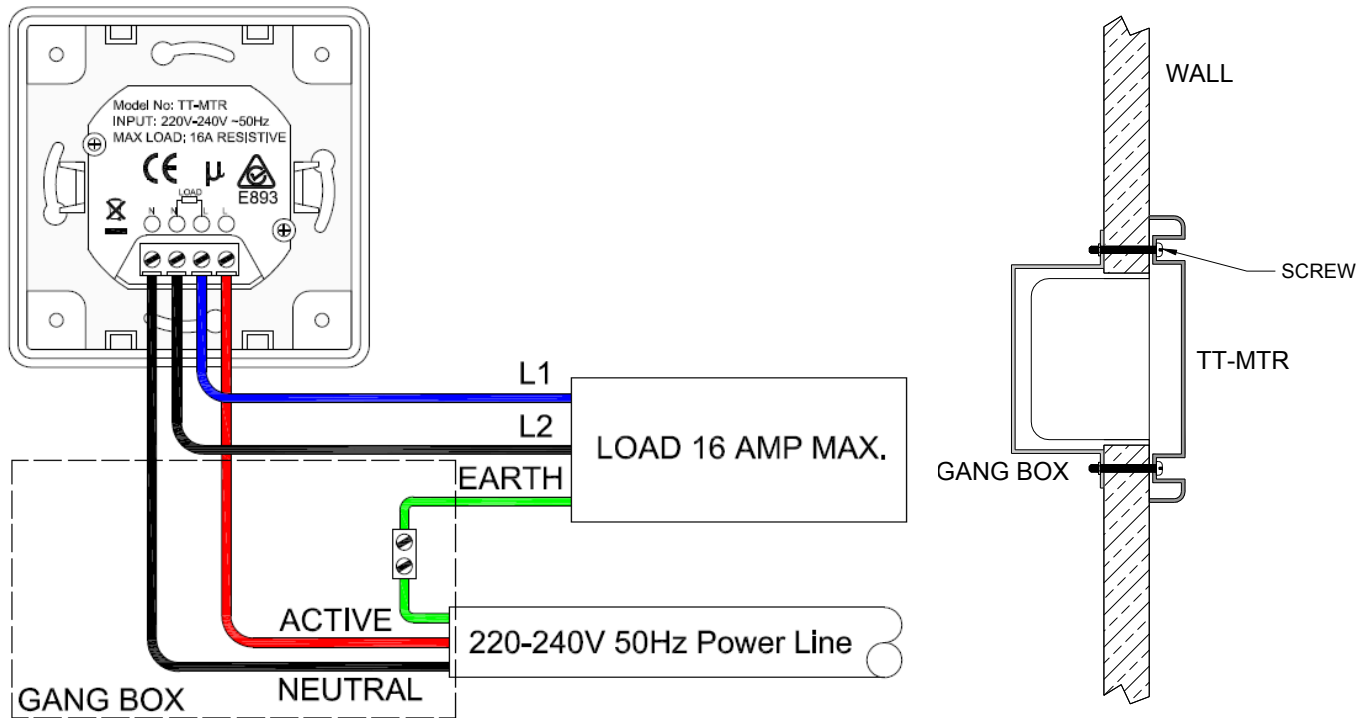
Do not use any abrasive materials or products to clean the controller, this includes solvents, citrus based cleaners or other harsh cleaning products. Do not use water or a damp cloth to clean the controller.

When handling the controller, ensure that your hands are clean or that you use clean gloves as grease or dirt can mark the surface of the controller.

MODEL	MAXIMUM VOLTAGE (Volts)	MAXIMUM CURRENT (Amps)	PACKAGED DIMENSIONS (mm)	WEIGHT (kg)
TT-MTR	220—240	16	80 x 80 x 42	0.5



WALL CONTROLLER INSTALLATION GUIDE





Safety

HEATSTRIP Elegance has an IP rating of 55. This means it is safe for water ingress from all directions. The HEATSTRIP can be safely hosed down.

HEATSTRIP has undergone extensive testing both in laboratory conditions; in Thermofilm's manufacturing facility in Melbourne and field trials in Australia and overseas. It has been this testing that gives the purchaser the confidence of a high quality product.

Independent laboratory testing has confirmed Thermofilm's full compliance with Australian and other International Standards. This includes CE, AS/ANZ, UL/CSE

The heater comes in both plug (1800W, 2400W) and hardwired (3600W) versions. In both cases the fixed wiring must be installed by a licensed electrician in accordance with the relevant wiring regulations.

HEATSTRIP is Class 1 equipment and must be earthed.

In operation, this heater is VERY HOT— do not touch any part of the heater while it is turned on. Do not touch any part until 30 minutes after it is turned off.

This appliance is not intended for use by persons (including children) with reduced physical, sensory or intellectual capabilities, or lack of experience and knowledge, unless they have been given supervision or instruction concerning use of the appliance by a person responsible for their safety. Children should be supervised to ensure they do not play with the appliance.

Do not allow any cables, furnishings, flammable materials or other items come in contact with any surface of the heater.

If installed in wet areas, the heater switches or controls must be located so that they cannot be touched by persons in the bath or shower.

The heater needs to be installed as per the installation instructions paying special attention to the minimum clearances. The heater needs to be mounted on a rigid bracket or fixing.

The heater must not be mounted immediately below or in front of a socket outlet.

In case of a heater fault or damaged supply lead, the appliance should be returned to the point of purchase for return to Cook & Heat B.V. for repair.

Maintenance

The HEATSTRIP Elegance is made from durable materials, however regular care and maintenance of your heater will help prolong the life of the heater.

It is recommended that you hose down the heater and with a soft bristle brush, gently wipe the surfaces of the heater with a mild detergent to remove the built up contaminants from the environment. Then rinse all detergent off the heater.

All chemicals in the atmosphere including cigarette smoke, pollution etc. will tarnish the surface of the heater. In this case, additional cleaning and maintenance may be required. The cleaning process undertaken at least every three months will reduce the amount of build up and keep it looking as best it can. If the heater is in a corrosive environment eg. salt spray, we recommend that you clean your heater with a light spray of fresh water every week. After cleaning, turn the heater on for 20 minutes to dry any water residue and prevent water staining.

Before cleaning or inspection activity, the heater must be switched off and cooled down completely.

Do not use any abrasive materials or products to clean the heater, this includes solvents, citrus based cleaners or other harsh cleaning products.

When handling the heater, ensure that your hands are clean or that you use clean gloves as grease or dirt can mark the surface of the heater.

Do not use high pressure water to clean heaters, light water spray only.



Warranty Terms & Conditions

The below Warranty Terms and Conditions apply for **international warranty** only.

Cook & Heat B.V. warrants to the original owner that HEATSTRIP Elegance products will be free from defects in materials and workmanship for a period of 4 years from the date of purchase in accordance with the following warranty terms and conditions.

Provision of this warranty is subject to:

- The HEATSTRIP product must be installed in accordance with the Installation Instructions and relevant electrical standards and codes.
- The HEATSTRIP product must be maintained and cleaned according to instructions detailed in the Installation Manual.
- There is no warranty expressed or implied with regard to capacity requirements. The selection of the unit or units depends entirely upon the system design and capacities as determined by the purchaser.
- The customer has not repaired, opened or altered the product in any unauthorised manner.
- This warranty excludes damage to the product or components arising from circumstances outside the control of Cook & Heat B.V., including, but not limited to, where the product is not used for intended purpose; where the product has been rectified in any way; incorrect installation; incorrect power supply; damaged caused during delivery; misapplication, misuse, abuse, vandalism, lack of maintenance or accident.
- Cook & Heat's obligations under this warranty are limited to repair or replacement at Cook & Heat B.V. of any components of the product which Cook & Heat B.V. identifies to its satisfaction to be defective.
- Transportation charges involved in return of the product to Cook & Heat B.V. is the sole responsibility of the customer.
- All products are inspected and tested before despatch and are at the risk of the purchaser after the shipment from Cook & Heat B.V., if not delivered by Cook & Heat B.V. to destination.
- Discolouration of the surface may occur after a period of time, this does not constitute a warrantable event.
- Twisting and bending of the heaters may occur, this does not constitute a warrantable event.
- No products or components will be supplied in advance of an examination of the faulty product or components by Cook & Heat B.V. or an authorized representative of Cook & Heat B.V.
- Cook & Heat B.V. does not participate in any site related costs or labour expenses incidental to replacement of parts, repairing, removing, installing, servicing, transportation or handling of parts to complete products, and assumes no liability on parts repaired or replaced without written authorisation. Cook & Heat B.V. shall not be liable for any default or delay in performance of its warranty obligations caused by any circumstances beyond its control, including, but not limited to, judicial or government restrictions, strikes, fires, floods, abnormal weather conditions, delayed supply of components.

Should products be determined as damaged on arrival, immediately notify the transport company of the condition and have them noted on the freight documents. If damage is discovered after unpacking, demand immediate inspection by the transportation company and insist that a record of the damage is made on the freight documentation.

The customer warrants using the product in accordance with:

- Any instructions provided to it by Cook & Heat B.V. from time to time.
- All government and local regulations, including but not limited to all relevant electrical, environmental laws and regulations governing the installation, storage, use, handling and maintenance of the goods.
- All necessary and appropriate precautions and safety measures relating to the installation, storage, use, handling and maintenance of goods.

DISTRIBUTOR DETAILS FOR EUROPE & UNITED KINGDOM

Distributed by:
Cook & Heat B.V.
www.heatstrip.eu

Manufactured by:
Thermofilm Australia Pty. Ltd.
17 Johnston Court
Dandenong South,
Victoria, 3175 Australia

HEATSTRIP[®]



LEADING HEATING TECHNOLOGY

HANDLEIDING VOOR BEDIENING, INSTALLATIE EN ONDERHOUD



HEATSTRIP ELEGANCE - EUROPA

De heater als designelement!





CONTENTS

Productoverzicht _____	25
Specificaties _____	27
Puntverwarmingsprincipe _____	28
Straalrichting _____	29
Keuzegids _____	30
Tafelindeling _____	31
Installatievereisten _____	32
Montage locatie _____	33
Montagemogelijkheden _____	34
Standaard montagebeugels _____	35
Montagebehuizing voor inbouw (FME) _____	36
Afmetingen Flush Mount Enclosure _____	37
Installatie-afstanden Flush Mount Enclosure _____	38
Installatie-instructies _____	39
Verlengde montagebeugel _____	40
Wand controller timer met afstandsbediening _____	41
Installatie wand controller _____	42
Veiligheid en onderhoud _____	43
Garantievoorwaarden & condities _____	44



Productoverzicht

Heatstrip-heaters voor buitenruimtes of moeilijk te verwarmen binnenruimtes

Omdat er buiten of in open binnenruimtes vaak een constante luchtstroom is, zijn veel terraskachels gebaseerd op convectiewarmte waarmee de lucht verwarmd wordt. Dit kan uitermate onpraktisch zijn voor dit soort locaties, omdat de verwarmde lucht eenvoudig weggeblazen kan worden door natuurlijke luchtstromen. Straalkachels verwarmen objecten rechtstreeks door middel van infrarode straling.

Terwijl convectiekachels de lucht tussen objecten verwarmen, verwarmen straalheaters de oppervlakte van de objecten zelf. HEATSTRIP-straalheaters zijn effectiever in buitenruimtes en niet-geïsoleerde ruimtes omdat ze gericht warmte afgeven aan de mensen en objecten in hun baan.

Discrete, stijlvolle heater voor overdekte buitenruimtes en open binnenruimtes

Dankzij het straalkachelpincipe kan HEATSTRIP effectieve en energiezuinige comfortverwarming leveren voor overdekte buitenruimtes en open binnenruimtes. Dankzij HEATSTRIP kunnen veel uitgaansgelegenheden zoals restaurants, kroegen en clubs dag en nacht en in alle seizoenen gebruik maken van hun terras. Op uw werkplaats of in uw bedrijf kan HEATSTRIP-comfortverwarming bieden voor aangewezen rookplekken en recreatiegebieden, maar ook puntverwarming voor werkplaatsen in fabrieken, magazijnen en showrooms. Thuis kan HEATSTRIP-comfortverwarming bieden onder overkappingen tijdens het buiten eten en barbecueën, of op patio's, veranda's, binnenplaatsen en balkons.

Subtiel, minimalistisch design

De stijlvolle, slanke "Off-White" voorkant van de HEATSTRIP niet licht en gloeit tijdens gebruik en is elegant in uw huis. Het plafond, de muur en een paraplu montage opties niet nemen kostbare vloer en tafel ruimte.

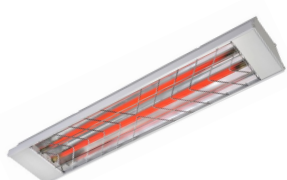
Er zijn vier verschillende productseries in de Heatstrip-productcategorie. Ze hebben elk een verschillende temperatuuroutput, waardoor ze geschikt zijn voor verschillende toepassingen. Hieronder vindt u een lijst met veelvoorkomende toepassingen om u te helpen de effectiefste en efficiëntste serie te kiezen. Dit is slechts een algemene gids; raadpleeg de producthandleiding voor elk product voor meer informatie.

HEATSTRIP Max (THX-modellen) is een heater met extreem hoge temperatuur voor niet-overdekte of open gebieden met een montagehoogte van 2,4 m tot 3,5 m.

HEATSTRIP Design / Elegance (THH- THE modellen) is een premium heater met hoge temperatuur en is vooral bedoeld voor buitenruimtes met 1, 2, 3 of 4 afgesloten zijden en met een ideale montagehoogte van 2,1 m tot 2,7 m.

HEATSTRIP Indoor (THS-modellen) is een heater met een gemiddelde intensiteit voor toepassingen in beschermde binnenruimtes.

TOEPASSING	THX	THH	THE	THS
Geïsoleerde binnenruimtes, klaslokalen, kantoren, badkamers, vochtige gebieden, droogruimtes		√	√	√
Buiten overdekt, café, veranda, patio, balkon met plafond van 3 m of lager	√	√	√	
Buiten overdekt, café, veranda, patio, balkon met plafond van 3 m of hoger	√			
Zeer open terrein buiten	√			
Open ruimte binnen, magazijn, fabriek, productiefaciliteit, sportfaciliteiten	√	√	√	√
Puntverwarming binnen, boven tafels, montageruimtes	√	√	√	





Efficiënte, kosteneffectieve elektrische verwarming

Het innovatieve design van de HEATSTRIP zorgt voor een comfortabele en gelijkmatige warmteverspreiding vanaf de oppervlakte met minimale gebruikskosten.

Flexibel design

Er zijn 4 HEATSTRIP Elegance modellen beschikbaar, zodat voldaan kan worden aan de verwarmingseisen voor elke buitenruimte of open binnenruimte. Beugels voor montage aan de muur of het plafond worden standaard meegeleverd. Optionele HEATSTRIP-accessoires zijn onder andere balkbeugels en vaste parasolbeugels, verlengde beugels, kettingbeugels, dubbele montagebeugels en montageomhulsels voor inbouw.

Geproduceerd in Australië

De HEATSTRIP is ontworpen, geproduceerd en geassembleerd in Australië.

Aantrekkelijke HEATSTRIP Elegance wordt standaard geleverd met een "Off-White" voorkant en achterkant van geanodiseerd aluminium met "Off-White" coating.

Eenvoudig in gebruik

De HEATSTRIP wordt bediend door een eenvoudige aan/uit-schakelaar. Hij kan rechtstreeks op het stopcontact aangesloten worden of permanent aangesloten worden via een in de muur geplaatste aan/uit-schakelaar. De unit heeft ongeveer vijf minuten nodig om tot de maximale temperatuur op te warmen en ongeveer dertig minuten om af te koelen, afhankelijk van de omgevingstemperatuur. Vergeet niet de unit uit te schakelen.





Specificaties

MODEL	POWER (WATTS)	ACTUEEL (AMPS)	DIMENSIES (mm)	GEWICHT (Kg)	kabellengte (mm)	PLUG	SPANNING (VOLTS)
THE1800EU	1800	7.5	974x 170 x 48.5	4	1000	YES	230
THE2400EU	2400	10	1204 x 170 x 48.5	7	1000	YES	230
THE3600EU	3600	15	1804 x 170 x 48.5	9	1000	NO	230
THE1800UK	1800	7.5	974x 170 x 48.5	4	1000	YES	240
THE2400UK	2400	10	1204 x 170 x 48.5	7	1000	YES	240
THE3600UK	3600	15	1804 x 170 x 48.5	9	1000	NO	240

MODEL

TYPE HEATER

Hangende elektrische heater met hoge intensiteit en grote geprofileerde oppervlakte van geanodiseerd aluminium.

OUTPUT

Zie bovenstaande modeltabel

SPANNING

230-240 volt nominaal bij 50-60 Hertz, 1-fase

VERBINDING

3-aderige kabel 2,5 mm²

KEURMERKEN

AUSTRALIË/CE

MONTAGEHOOGTE

MINIMAAL 2.1 m
AANBEVOLEN 2.4 m to 2.7 m
MAXIMAAL 3.0 m (voor hogere plafonds kunnen units verlaagd worden met optionele beugelsets of het gamma van Heatstrip Max)

MONTAGEMOGELIJKHEDEN

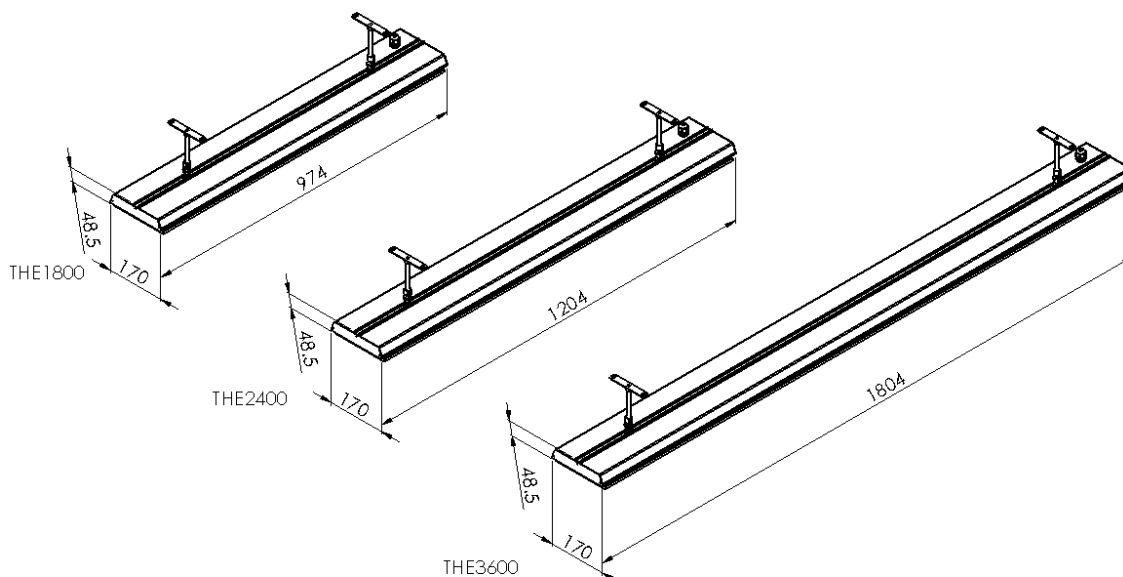
Geschikt voor montage aan plafond, muur of balk. Geschikt voor vaste parasol- of inbouwmontage. Ook geschikt voor verlengde montage met behulp van stijve bevestigingsbuizen en kettingbeugels.

BESCHERMINGSGRAAD

IP55-bescherming tegen indringing van water uit alle richtingen

LAND VAN HERKOMST

Australië



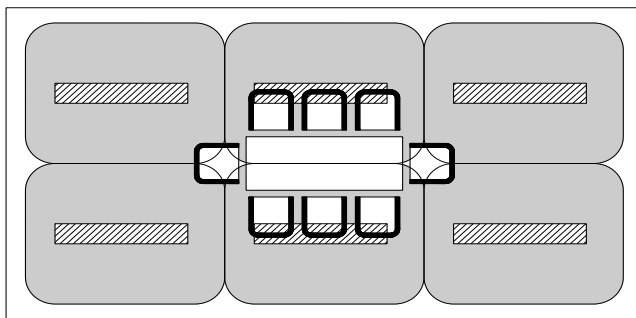


Puntverwarmingsprincipe

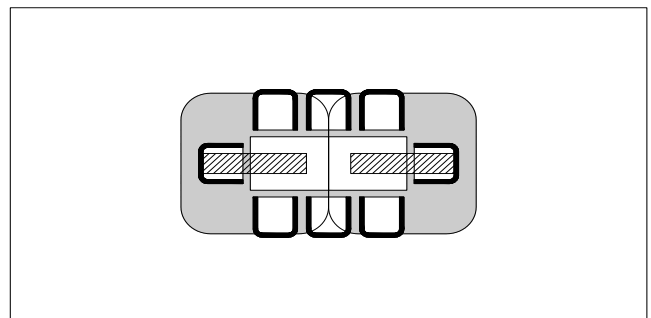
Bij de meeste toepassingen in buitenruimtes of moeilijk te verwarmen binnenruimtes zijn er twee mogelijkheden waar u uit kunt kiezen wat betreft de grootte en capaciteit van de vereiste heaters. De eerste mogelijkheid is het hele gebied van comfortwarmte te voorzien op basis van de afmetingen van de ruimte, afhankelijk van of de hele ruimte gebruikt wordt. De tweede mogelijkheid is om puntverwarming toe te passen bij de gebieden die het meest gebruikt worden, zoals boven buitentafels, barbecues, loungehoeken, lopende banden of indoor werkplaatsen

Voor dit soort gebieden is puntverwarming vaak praktischer en efficiënter. Puntverwarming zorgt voor lagere aanschaffkosten, maar ook lagere gebruikskosten. Met puntverwarming kunt u de ruimte indelen in zones, wat inhoudt dat alleen de gebruikte gebieden verwarmd worden, zoals tafels in een restaurant of een buitenterras.

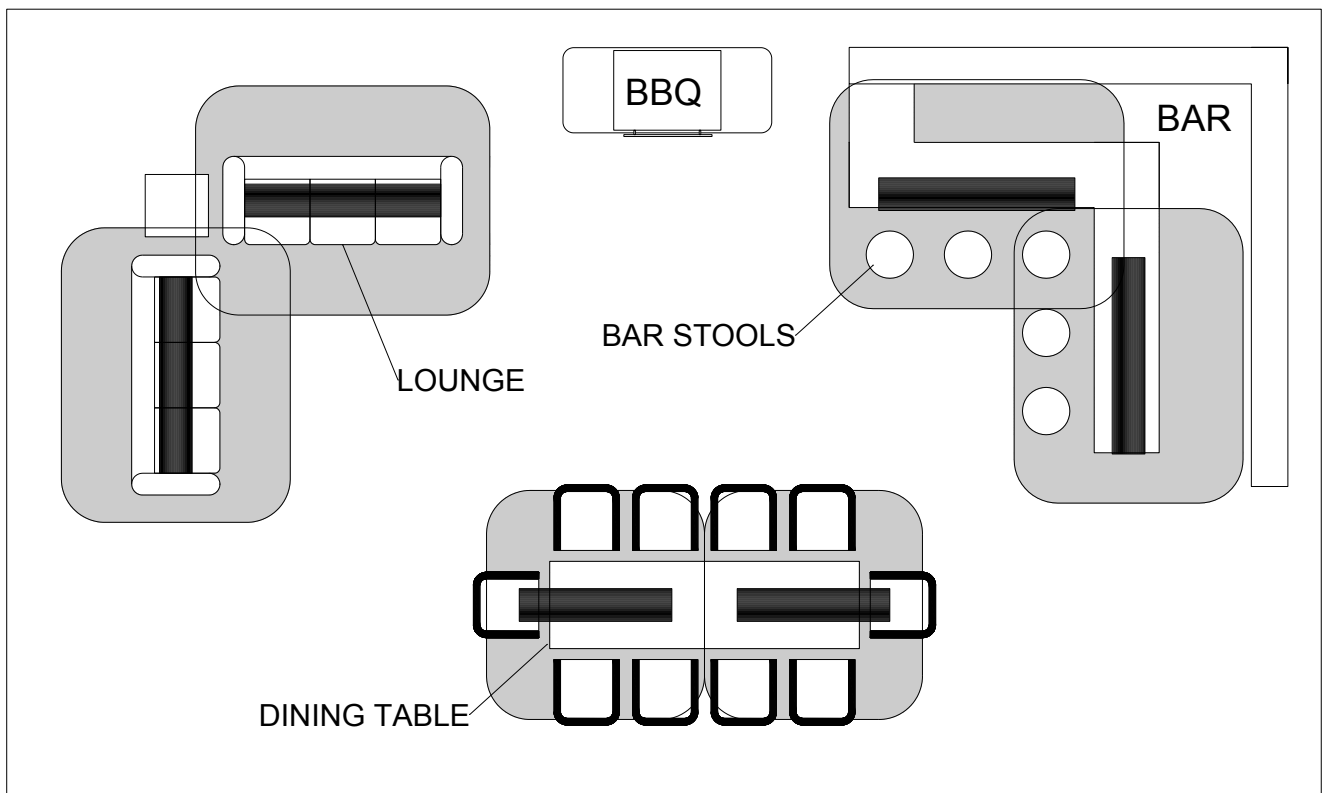
De bovenste afbeelding toont een vergelijking tussen puntverwarming boven een tafel en het verwarmen van het hele gebied. De onderste afbeelding toont de flexibiliteit van het gebruik van HEATSTRIP om een comfortabele omgeving te creëren, zelfs bij ongewone indelingen.



6 x THE2400EU



2 x THE2400EU





Straalrichting

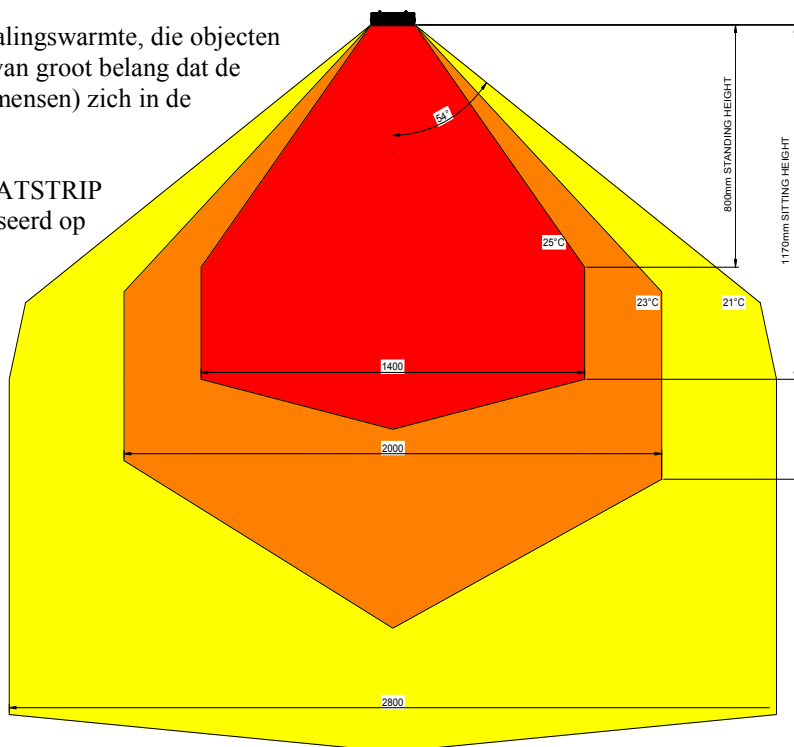
HEATSTRIP elektrische heaters produceren stralingswarmte, die objecten verwarmt in plaats van de lucht. Het is daarom van groot belang dat de objecten die verwarmd dienen te worden (bijv. mensen) zich in de straalrichting van de heater bevinden.

De diagram geeft de straalrichting weer van HEATSTRIP Elegance en is bij benadering een richtlijn, gebaseerd op een volledig omsloten buitenruimte.

Dit diagram toont aan dat de maximale warmteoutput zich direct onder de heater bevindt en dat deze verder bij de heater vandaan afneemt.

Hieruit blijkt hoe belangrijk het is dat de aanbevolen montagehoogtes worden opgevolgd en dat de heater recht boven de te verwarmen locatie wordt gemonteerd (indien mogelijk).

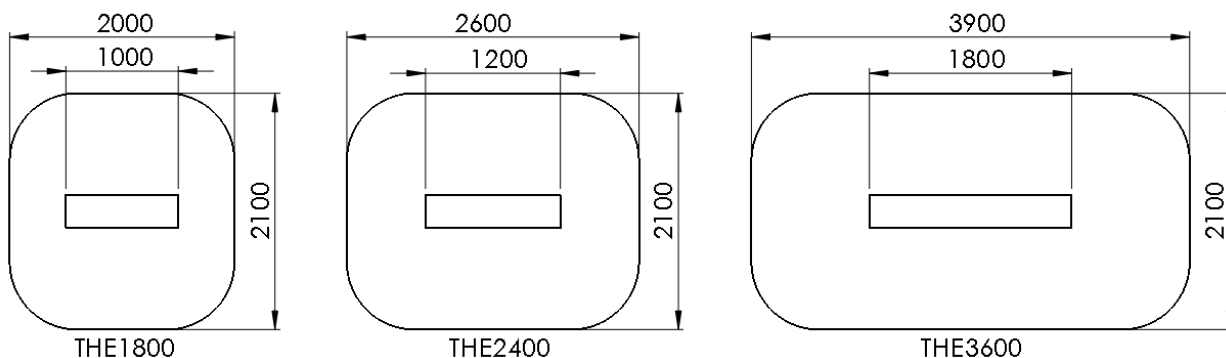
De temperatuur (d.w.z. oppervlaktetemperatuur) is gelijk voor beide modellen, ongeacht het wattage. Naarmate de afmetingen en lengte van de unit toenemen, wordt de straalrichting echter breder en langer.



De onderstaande diagrammen tonen de geschatte verwarmingsgebieden voor elk model, gebaseerd op omsloten omgevingen, zowel binnen als buiten, met rechtstreeks hangende bevestiging. De straalrichting neemt af bij gekantelde toepassing aan de muur.

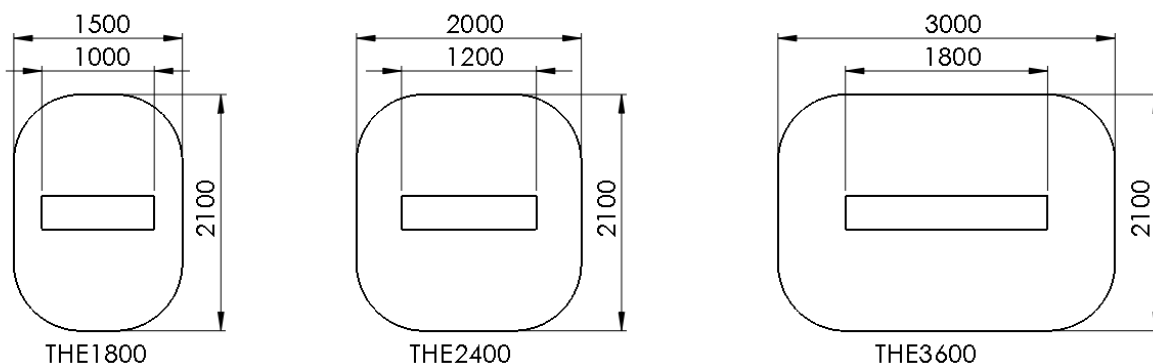
HEATED AREA

INDOOR SPOT HEATING



HEATED AREA

OUTDOOR ENCLOSED HEATING





Keuzegids

Voordat u het specifieke model en het aantal heaters voor uw toepassing kiest, dient u er zeker van te zijn dat u de juiste Heatstrip-serie gebruikt.

Hieronder vindt u een overzicht van de Heatstrip-opties.

HEATSTRIP Max (THX-modellen) is een heater met extreem hoge temperatuur voor onbedekte of open ruimtes met een montagehoogte van 2,4 m tot 3,5 m. Ook geschikt voor moeilijke binnenruimtes zoals showrooms, productielijnen, magazijnen, etc.

HEATSTRIP Design/Elegance (THH-modellen) is een premium heater met hoge temperatuur en is vooral bedoeld voor buitenruimtes met 1, 2, 3 of 4 afgesloten zijden, met een ideale montagehoogte van 2,1 m tot 2,7 m. Ideaal voor toepassing in binnenruimtes die moeilijk te verwarmen zijn of vochtige omgevingen waar een beschermingsgraad van IP55 vereist is.

HEATSTRIP Indoor (THS-modellen) is een heater met een gemiddelde intensiteit voor toepassingen in beschermde binnenruimtes, zoals serres, klaslokalen, hallen, sporthallen, etc.

Algemene aanbevelingen voor **HEATSTRIP Elegance**:

Ideale montagehoogte: 2,1 m tot 2,7 m. Maximaal 3 m in een beschermde buitenruimte.

- Ideale montagelocatie: plafond, recht boven het te verwarmen gebied (bijv. boven een tafel).
- Gebaseerd op de straalrichting op de vorige pagina, is voor een omsloten buitenruimte minimaal 500 W/m² vereist.
- Voor indoor spotverwarming is een verwarmingscapaciteit van minimaal 400 W/m² aanbevolen.

De onderstaande tabel geeft de dekking van elk **HEATSTRIP Elegance**-model (in m²) weer, gebaseerd op drie verschillende scenario's met rechtstreeks hangende bevestiging. Voor een buitengebied dat door muren, terraswanden, etc. is afgeschermd van de wind, heeft Model THE1800EU een dekking van 3 m² en Model THE2400EU een dekking van 4,8 m².

Bij gekantelde toepassingen aan de muur kan de dekking met tot wel 40% afnemen. De maximale warmteprojectie vanaf de muur is 2 m.

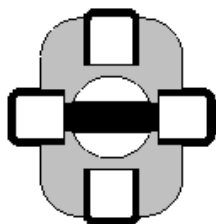
MODEL	INDOOR BESCHERMD (m ²)	OUTDOOR INGESLOTEN (m ²)	OUTDOOR EXPOSED (m ²)
THE 1800	4.5	3.6	3
THE 2400	6	4.8	4
THE 3600	9	7.2	6



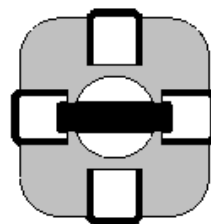
Tafelindeling

Voor de meeste buitentoepassingen is puntverwarming voor tafels of gelijksoortige gebieden de meest effectieve methode. De onderstaande diagrammen vormen een eenvoudige keuzegids voor het model en het totale aantal kachels dat vereist is om veelvoorkomende tafelindelingen te verwarmen.

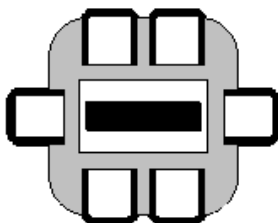
De selecties zijn gebaseerd op HEATSTRIP Elegance, 2,4 m boven de vloer bevestigd, en een volledig omsloten overdekte buitenruimte.



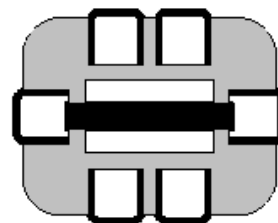
THE1800



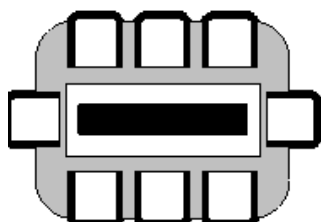
THE2400



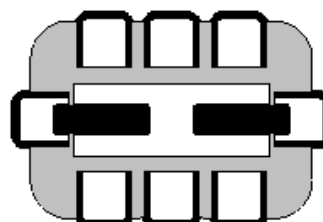
THE2400



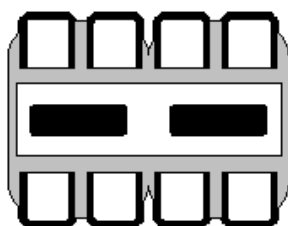
THE3600



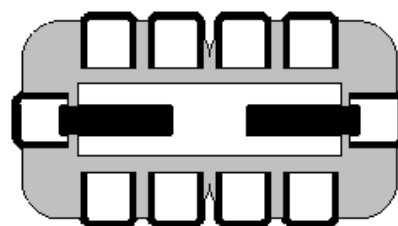
THE3600



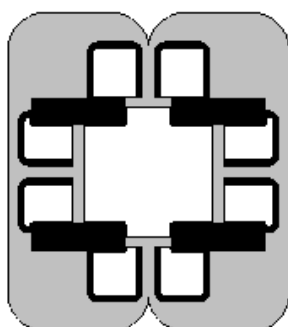
2 x THE1800



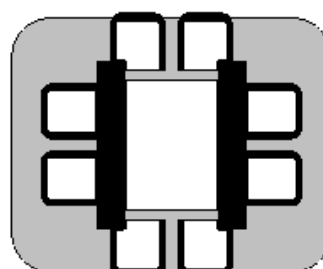
2 x THE1800



2 x THE2400



4 x THE1800



2 x THE3600



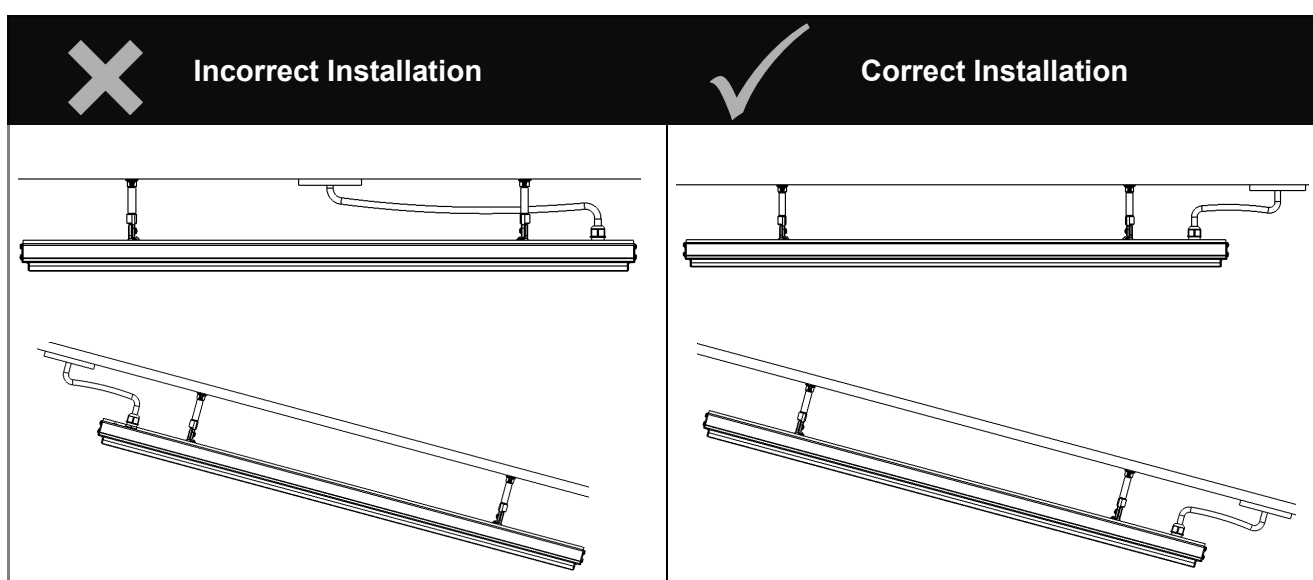
Installatievereisten

De ideale montagelocatie voor de HEATSTRIP Elegance is aan het plafond, recht boven het te verwarmen gebied. Indien dit niet mogelijk is kan HEATSTRIP Elegance aan de muur bevestigd worden en naar beneden gericht worden. Zorg er in dit geval voor dat is, kan montagehoogte tussen de 2,4 m en 3,0 m ligt en dat de tafel binnen 3,0 m van de muur staat.

Voor montagehoogtes hoger dan 3,5 m raden we het gebruik van de optionele accessoires aan om de heater te verlagen tot 2,4 - 3,5 m. Dit verhoogt de effectiviteit van uw HEATSTRIP. Zie het hoofdstuk over montageaccessoires voor meer informatie.

Elektrische aansluitingen/stopcontacten mogen zich nooit achter de heater bevinden. Ze moeten buiten de fysieke locatie van de heater geplaatst zijn om de opbouw van warmte achter de units te beperken.

Indien de heater schuin wordt gemonteerd (bijv. gewelfd plafond), dient u ervoor te zorgen dat de elektrische aansluiting zich bij het laagste punt van de heater bevindt.

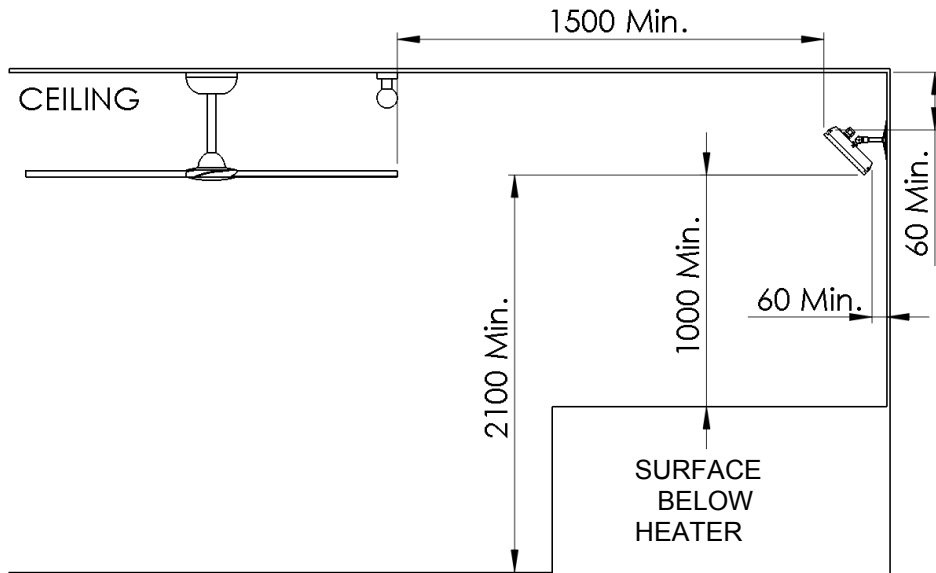


Het verwarmingselement mag nooit naar het plafond wijzen

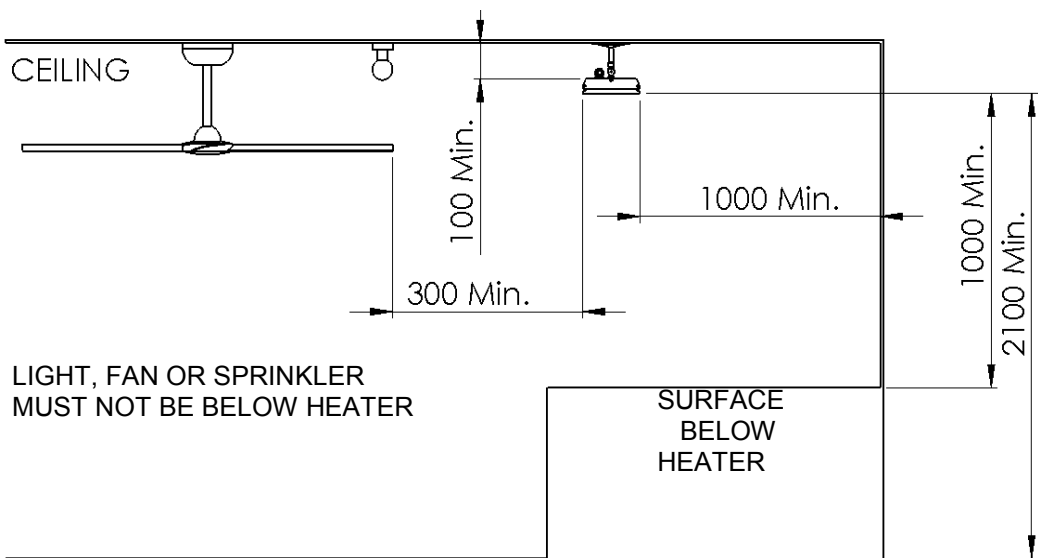


Montagelocatie — het onderstaande diagram geeft de aanbevolen minimumafstanden weer.

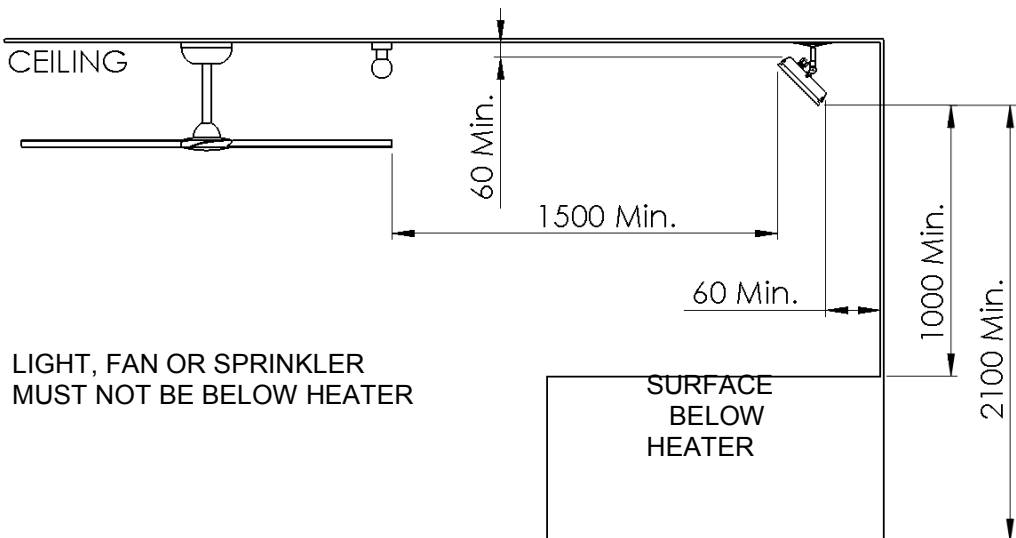
Angled Wall Installation



Ceiling Installation



Angled Ceiling Installation



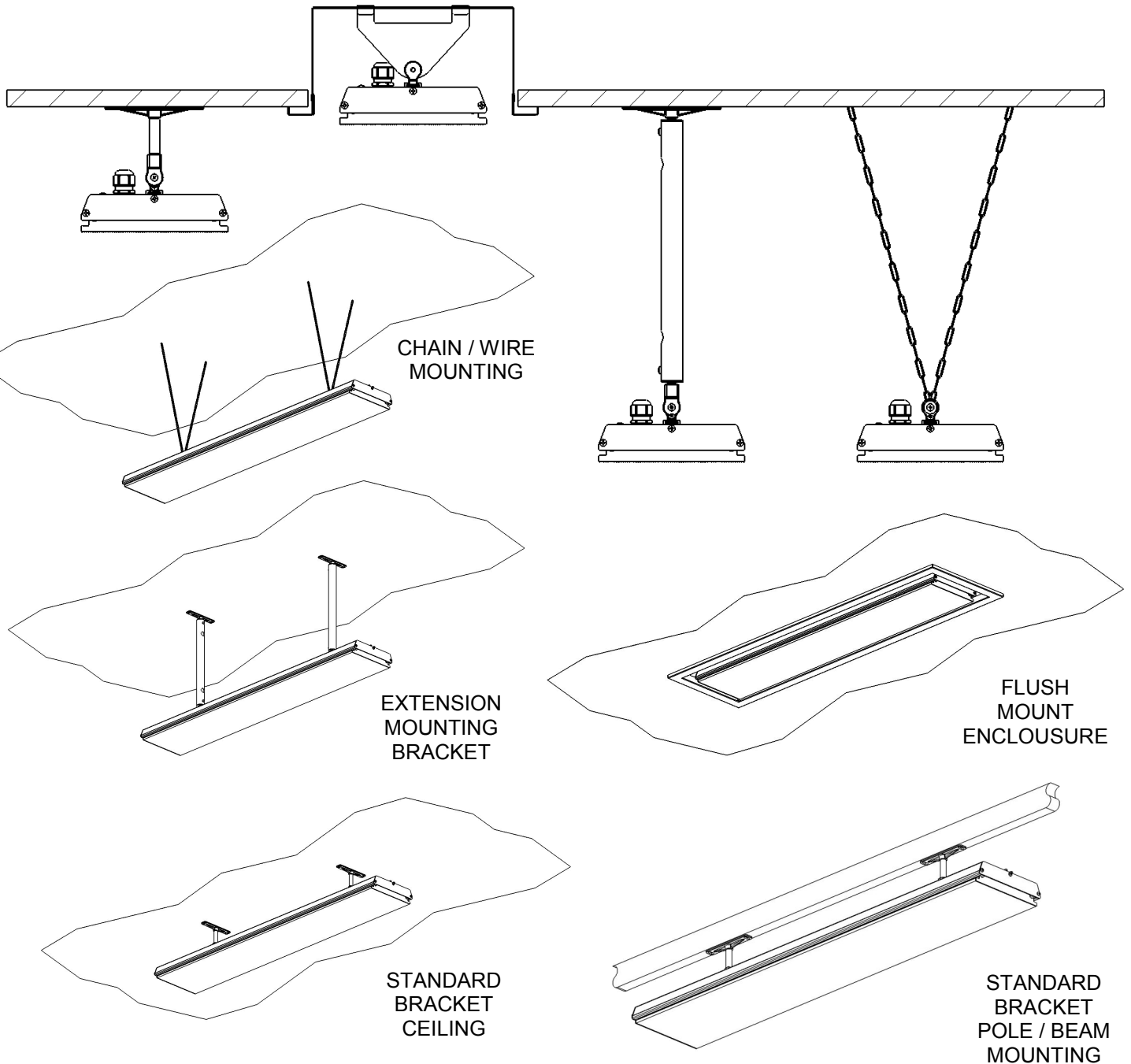


Montagemogelijkheden

Met de standaard bijgeleverde montagebeugels is de HEATSTRIP Elegance eenvoudig te monteren. Voor andere, moeilijkere locaties zijn er diverse montagemogelijkheden beschikbaar – zie de onderstaande diagrammen.

De HEATSTRIP Elegance kan op meerdere manieren bevestigd worden: rechtstreeks aan het plafond, schuin naar beneden gericht aan de muur, ingebouwd in het plafond, hangend aan kettingen of buizen, bevestigd aan balken of buizen, end-to-end of twee units naast elkaar. Zie de volgende pagina's voor gedetailleerdere informatie over elke montagemogelijkheid.

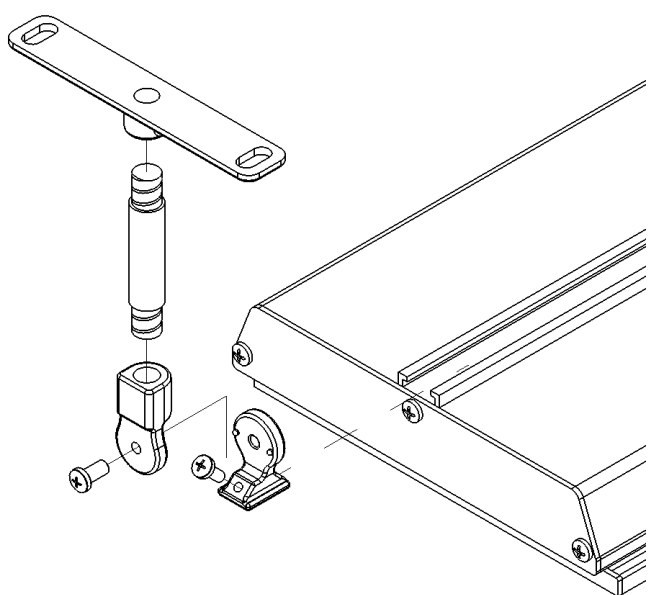
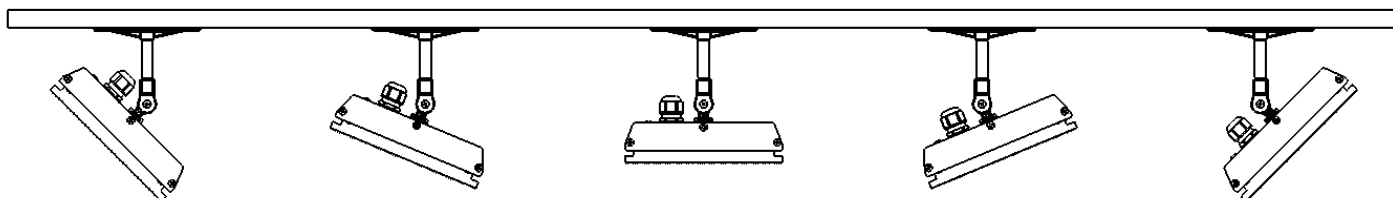
CEILING



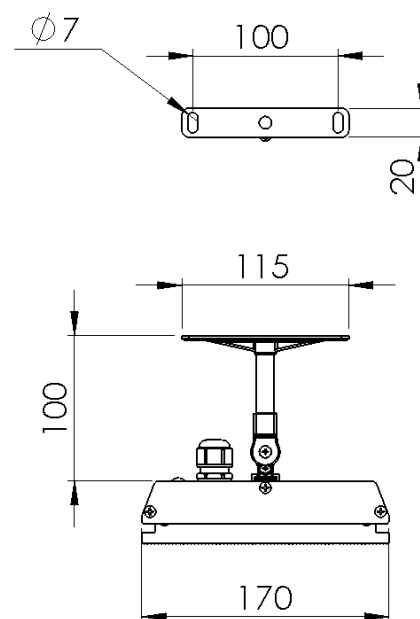
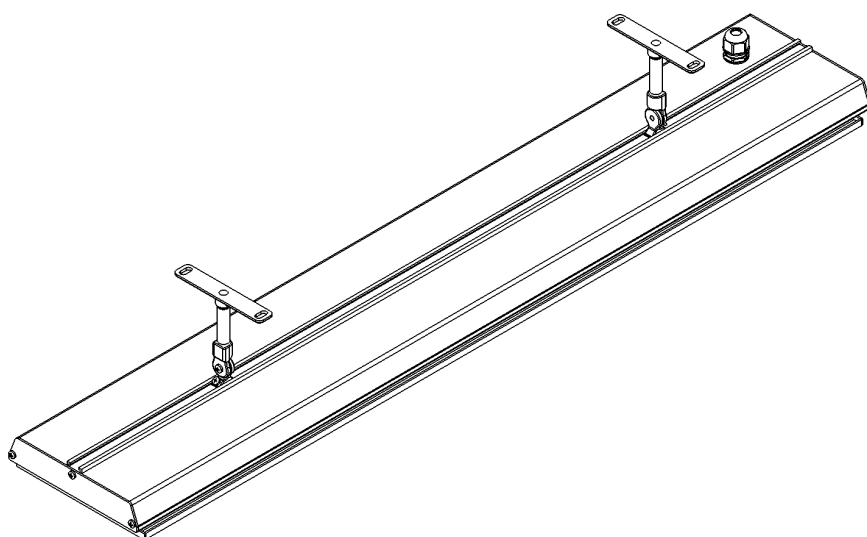
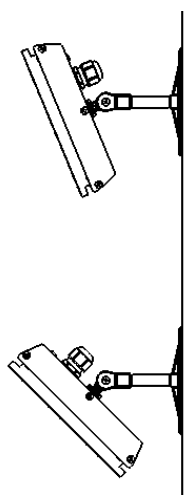


Standaard montagebeugels

Bij de HEATSTRIP Elegance worden twee standaard montagebeugels geleverd. Met deze instelbare beugels kunt u de heater rechtstreeks aan het plafond of op de muur bevestigen. Deze montagebeugels kunnen standaard parallel of onder een hoek van 22,5° of 45° worden ingesteld.



MODEL	"D" MINIMUM DISTANCE (mm)
THE1800	570
THE2400	700
THE3600	1000



PART No	PACKAGED DIMENSIONS (mm)	WEIGHT (kg)	MATERIALS	COLOUR
ZBRAK-110	125 x 150 x 40	0.2	ALLOY	OFF-WHITE



Montagebehuizing voor inbouw (FME)

De montagebehuizing voor inbouw is (Flush Mount Enclosure FME) de ideale manier om de HEATSTRIP netjes in het plafond te plaatsen. Het is beschikbaar voor alle HEATSTRIP Elegance-modellen en wordt geleverd als een uit één stuk bestaande unit voor het monteren van heaters. Inbouw kan gebruikt worden bij stucwerk of met hout beklede plafonds.

De ideale montagehoogte is 2,5 m tot 2,7 m, met een maximale plafondhoogte van 3,0 m in een omsloten buitenruimte. Indien de maximale montagehoogte wordt overschreden, kan dit ten koste gaan van de prestaties van de unit.

Veiligheid

Zorg ervoor dat er geen kabels, meubilair, brandbare materialen of andere zaken in contact komen met een oppervlak van de Flush Mount Enclosure.

De Flush Mount Enclosure dient volgens de installatie-instructies geïnstalleerd te worden waarbij u vooral op de minimale afstanden dient te letten. Het verwarmingselement dient gemonteerd te worden op een stevige beugel of bevestiging.

Onderhoud Flush Mount Enclosure (FME)

De Flush Mount Enclosure is gemaakt van duurzame materialen, echter regelmatige zorg en onderhoud van uw product verlengt de levensduur.

Het wordt aanbevolen dat u uw Flush Mount Enclosure schoonveegt met een zachte doek en de oppervlakken van de Flush Mount Enclosure voorzichtig reinigt met een mild schoonmaakmiddel om de opgebouwde verontreinigingen uit de omgeving te verwijderen. Dan navegen met een schone doek tot alle schoonmaakmiddel verwijderd is.

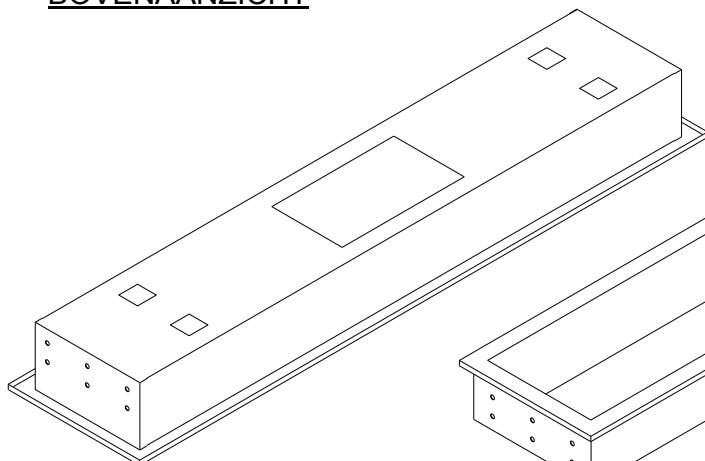
Alle chemische stoffen in de atmosfeer zoals sigarettenrook, vervuiling enz. zullen het oppervlak van de Flush Mount Enclosure aantasten. In dit geval kan extra reinigen en onderhoud noodzakelijk zijn. Ten minste eens per drie maanden reinigen zal de hoeveelheid opgebouwd vuil verminderen en zal de uitstraling van uw Flush Mount Enclosure doen behouden. Als de Flush Mount Enclosure zich in een corrosieve omgeving bevindt, bv. zout, raden wij u aan uw Flush Mount Enclosure elke week te reinigen.

Voor reinigingen of inspectie, dient het verwarmingselement te zijn uitgeschakeld en volledig te zijn afgekoeld. Gebruik geen schurende materialen of producten voor het reinigen van de Flush Mount Enclosure, inclusief oplosmiddelen, op citrus gebaseerde schoonmaakmiddelen of andere agressieve schoonmaakmiddelen.

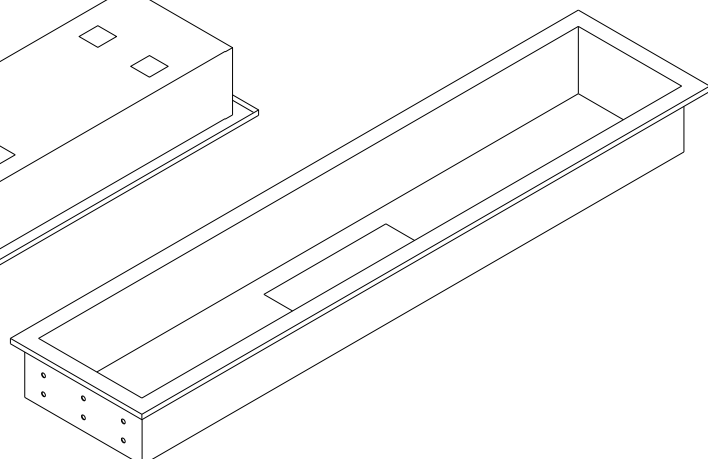
Bij het hanteren van de Flush Mount Enclosure, dient u ervoor te zorgen dat uw handen schoon zijn of dat u handschoenen gebruikt omdat vet of vuil het oppervlak van de verwarming aan kan tasten.

Gebruik geen hogedrukreiniger om uw Flush Mount Enclosure te reinigen. Het is niet aan te raden om de Flush Mount Enclosure en het verwarmingselement af te spuiten, omdat er dan water in de ruimte boven het plafond kan komen.

BOVENAANZICHT



ONDERAANZICHT





Flush Mount Enclosure Afmetingen

De inbouw-behuizing is een ideale gelegenheid om netjes installeren van de HEATSTRIP in een deken. Ze zijn beschikbaar voor alle HEATSTRIP Elegance modellen en worden als één enkel toestel dat geschikt is voor de installatie van individuele warmtebronnen. De inbouw Kan gebruikt worden met gips of hout voeringen.

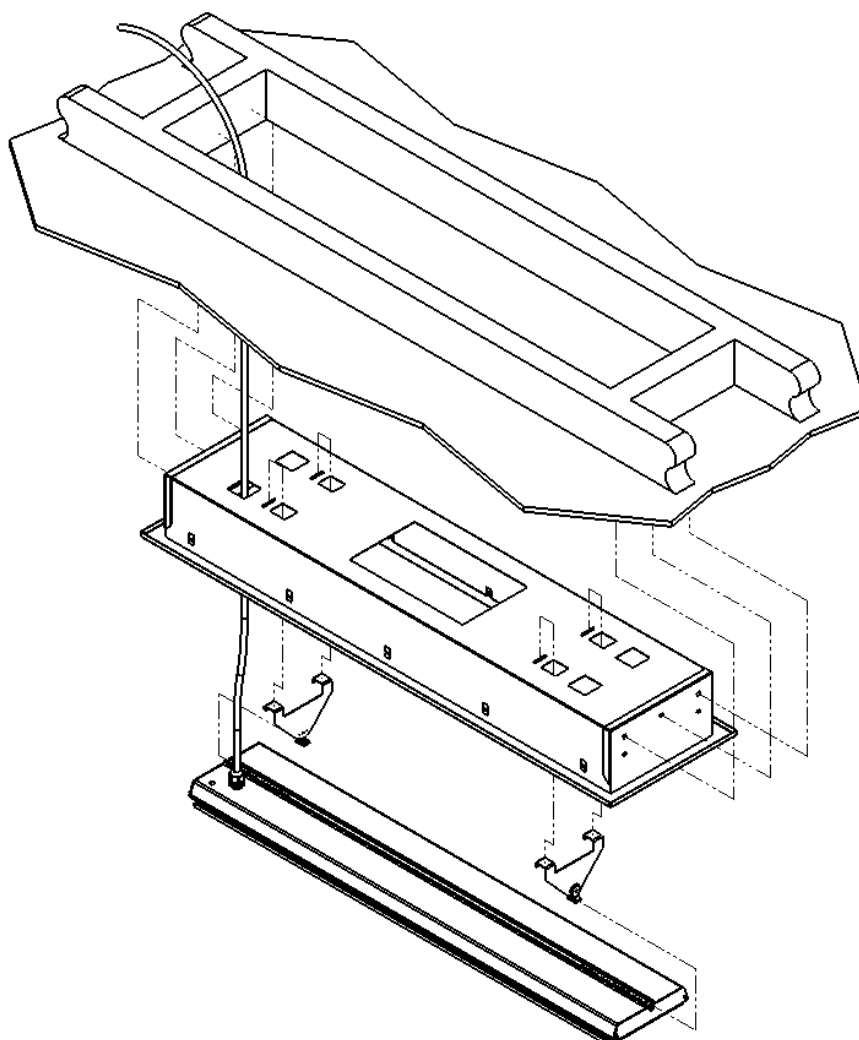
Een ideale montagehoogte is 2,3 m-2.5m, met een maximale plafondhoogte van 2.7m buiten. Maximum montagehoogtes moeten strikt worden nageleefd, anders zal de prestaties van de apparatuur kan worden verminderd

Een minimale afstand van 50 mm buiten de behuizing is aangebracht.

De behuizing is gemaakt van gepoedercoat staal.

Voor gedetailleerde installatie-instructies, verwijzen wij u naar de installatie-instructies voor de ingebouwde inbouwruimte.

GESCHIKT VOOR MODEL	Onderdeel nummer	HOLE KNIPSEL Afmetingen (mm)	AFMETINGEN (mm)	GEWICHT (kg)
THE 1800	THEAC-040	1030 x 240	1080 x 290 x 125	6
THE 2400	THEAC-041	1260 x 240	1310 x 290 x 125	8
THE 3600	THEAC-042	1860 x 240	1910 x 290 x 125	9

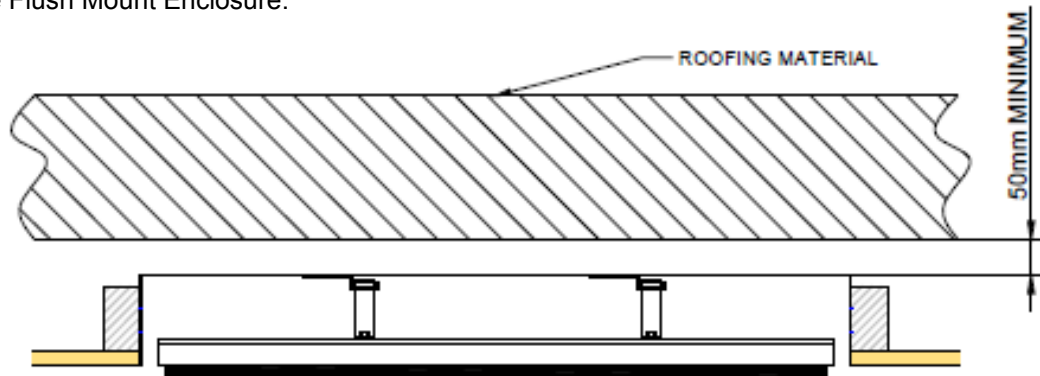




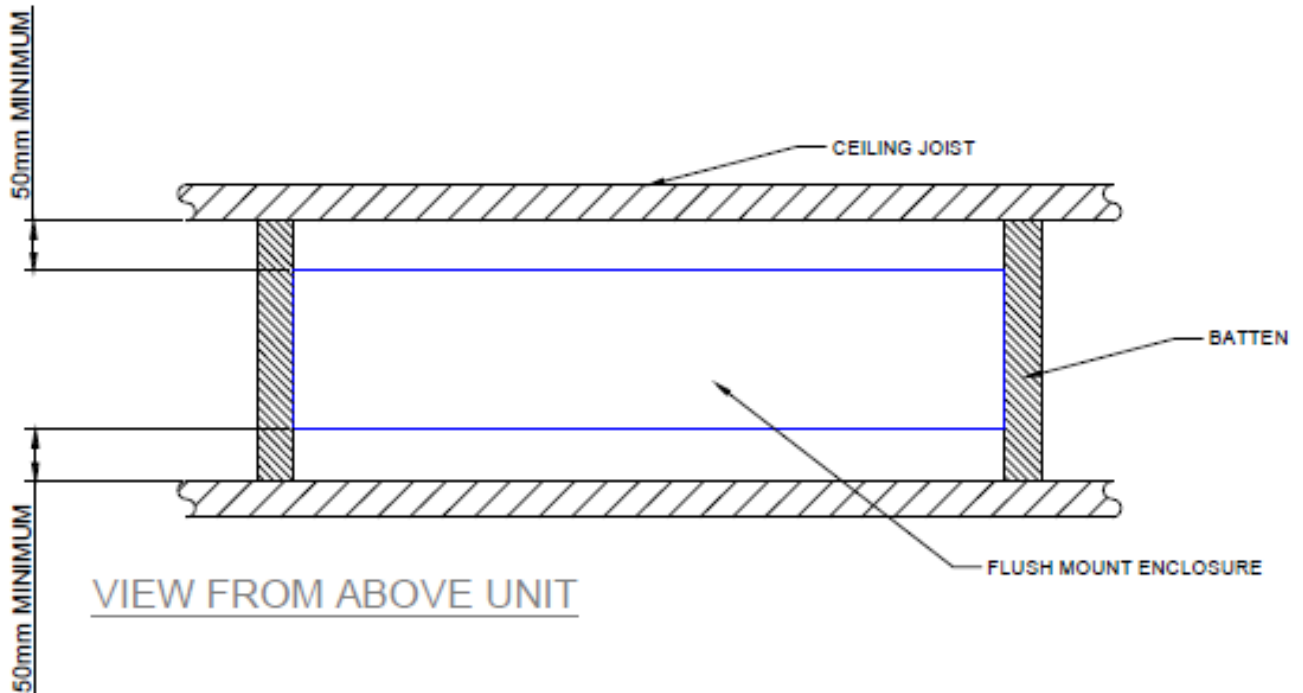
Installatie-afstanden Flush Mount Enclosure

In onderstaand schema zijn de minimale afstanden getoond die nodig zijn voor het installeren van de Flush Mount Enclosure.

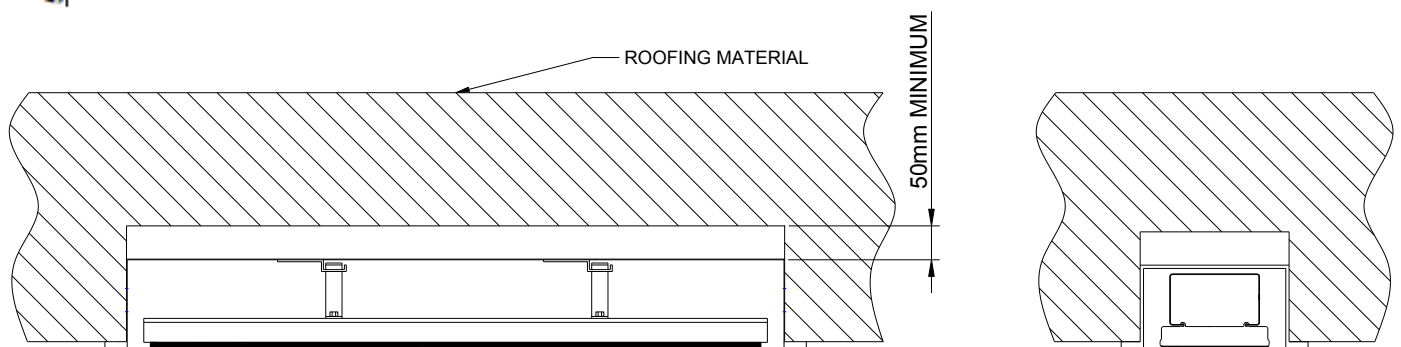
Het is noodzakelijk dat alle kabels, dragers, isolatie en andere materialen vrij blijven van de achterkant en de zijkanten van de Flush Mount Enclosure.



VIEW FROM SIDE



VIEW FROM ABOVE UNIT



CONCRETE CEILING



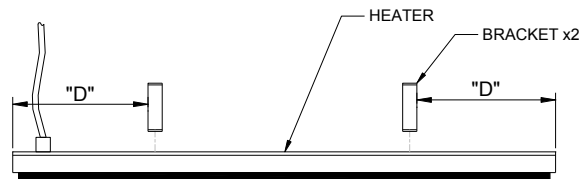
Installatie-instructies

Zorg ervoor dat aan alle minimale afstandsvereisten is voldaan en de gebruikte materialen voldoen aan uw lokale bouwvoorschriften.

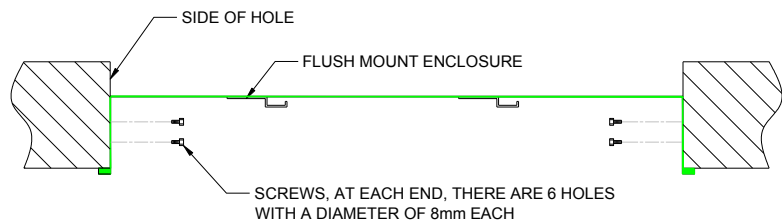
Voordat u de Flush Mount Enclosure installeert, dient u zich ervan te verzekeren dat de montageplaats is voorbereid met het gat in het juiste formaat en de bevestigingspunten stevig op hun plaats.

MODEL	"D" DISTANCE FROM END TO BRACKET (mm)
THE1800	175
THE2400	225
THE3600	300

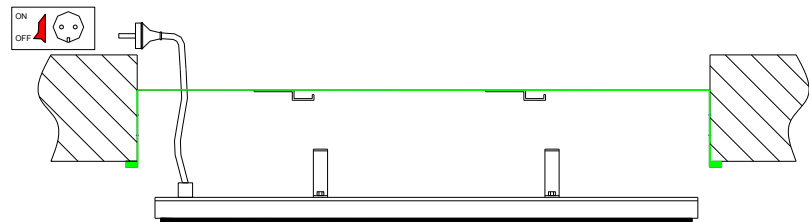
STAP 1: Bevestig de beugels aan de achterkant van het verwarmingselement. De maten voor de ruimte tussen de beugels staat vermeld in de tabel.



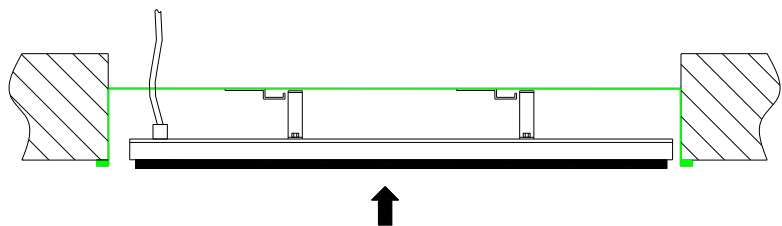
STAP 2: Schroef de Flush Mount Enclosure. LET OP: schroeven worden niet meegeleverd.



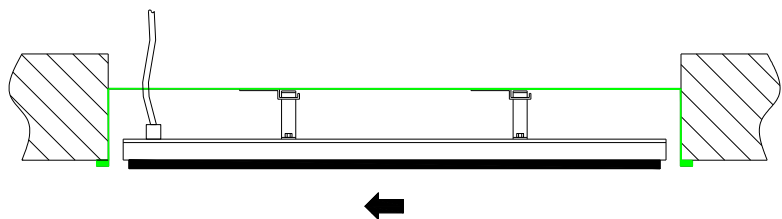
STAP 3: Als er geen toegang is van bovenaf, sluit dan het verwarmingselement aan op het elektriciteitsnet en zorg ervoor dat de elektriciteit UITGESCHAKELD is.



STAP 4: Til het verwarmingselement in de Flush Mount Enclosure ervoor zorgend dat de beugels naast de bevestigingspunten zitten.



STAP 5: Druk het verwarmingselement naar links en zorg ervoor dat de beugels in de bevestigingspunten vallen. Het verwarmingselement zakt er dan in. Schud aan het verwarmingselement om te controleren of deze stevig vast zit.

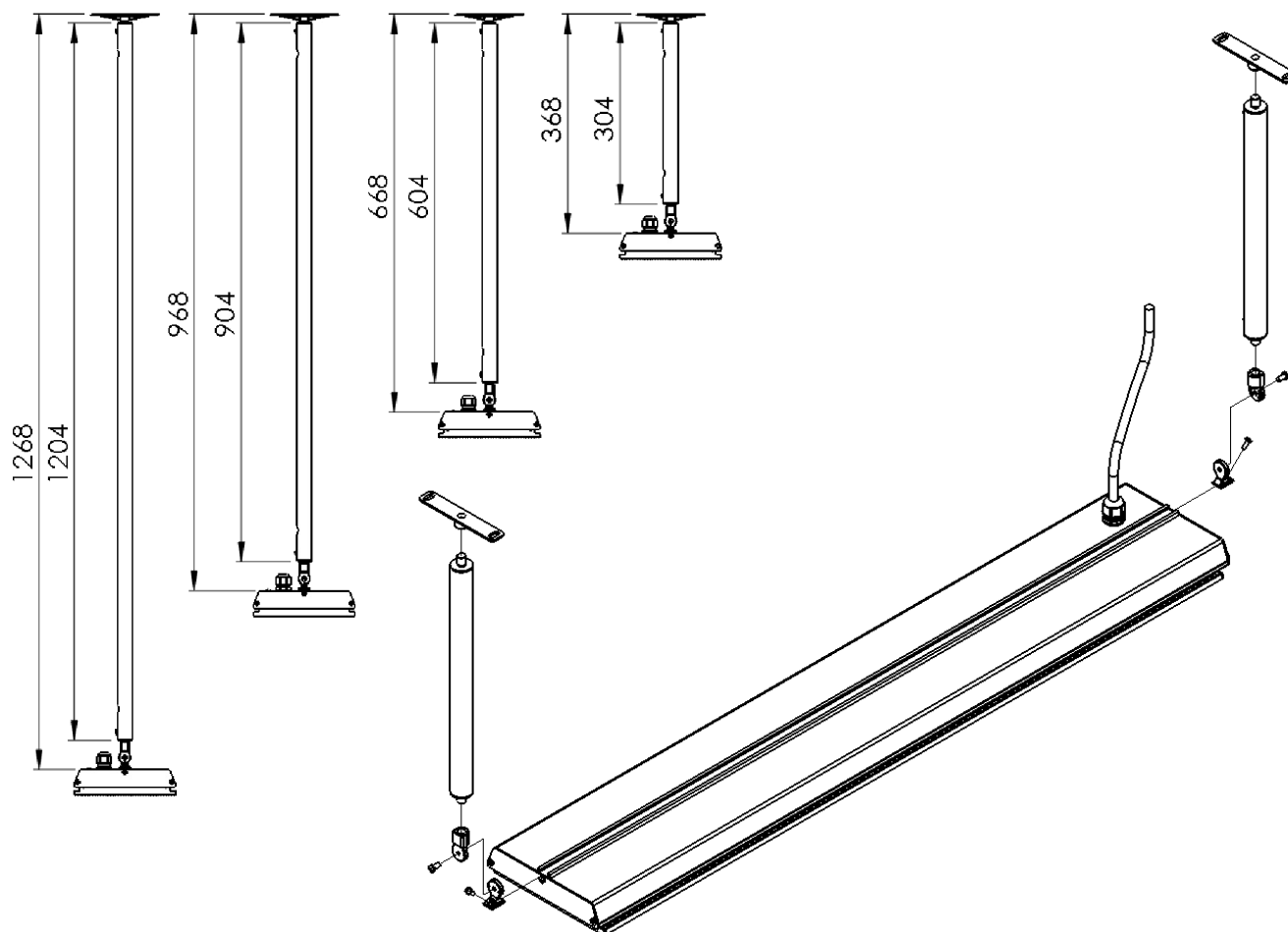




Verlengde montagebeugel

Met de verlengde montagebeugel kunnen HEATSTRIP Elegance-units met stijve verbindingen verlaagd worden bevestigd aan hoge plafonds. De beugels zijn geschikt voor gebruik met 25 x 25 x 1 mm buizen (SHS) en worden geleverd als een complete kit met beugels, voorgesneden buizen en verbindingen. De standaardlengtes in de kit zijn 300 mm, 600 mm, 900 mm en 1200 mm.

De kits bevatten alle beugels, buizen en schroeven die nodig zijn voor verbinding met de heaters, maar worden geleverd zonder schroeven voor bevestiging aan het plafond.



Onderdeel nummer	VERPAKT AFMETINGEN	GEWICHT (kg)	MATERIAAL	OPMERKINGEN
THEAC-043		0.21	6060 AL	Kit includes 2x300mm extension pole, screws and bracket adaptors
THEAC-044		0.38	6060 AL	Kit includes 2x600mm extension pole, screws and bracket adaptors
THEAC-045		0.55	6060 AL	Kit includes 2x900mm extension pole, screws and bracket adaptors
THEAC-046		0.71	6060 AL	Kit includes 2x1200mm extension pole, screws and bracket adaptors



TT-MTR wandcontroller met afstandsbediening

Deze controller is speciaal ontworpen en vervaardigd voor HEATSTRIP®. Daarmee is optimaal gebruiksgemak en zuinig verbruik van uw verwarmers gegarandeerd. De timerfunctie zorgt voor automatische werking van de verwarmers en biedt vier standen: voor 1 uur, 2 uur, 4 uur of permanente werking. De timer is te bedienen op de plaats waar hij is geïnstalleerd of via afstandsbediening. De voorgeprogrammeerde tijdstellingen zijn voor 1 uur, 2 uur of 4 uur of permanente werking van de verwarmers. De afstandsbediening heeft een bereik van 10 meter en moet zich in het zicht van de wandschakelaar bevinden.



Meerdere units bedienen

Met één wandcontroller is het mogelijk meerdere verwarmers te bedienen tot een maximale belasting van 16 A. De wandcontroller is geschikt voor 16 A en 220-240 Volt. Voor hogere stroomopname adviseren wij uw elektricien in te schakelen om een relais te installeren dat meerdere units verbindt.

Montage

De TT-MTR is ontworpen voor installatie in een standaard Europese wandverbindingsdoos. Ook inbouwmontage in de wand is mogelijk. Uw elektricien kan dit apparaat installeren.

De controller dient geïnstalleerd te worden volgens uw lokale bedradingsrichtlijnen.

Bediening

Druk op de 'ON/OFF'-toets om het apparaat aan en uit te schakelen.

Druk op de 'TIMER'-toets om de timer in te stellen op een werkingsduur van 1, 2 of 4 uur. Het timerindicatielampje geeft aan welke tijdstelling is geselecteerd. De timer start de verwarmers en schakelt deze automatisch uit als de vooraf ingestelde tijd is verstreken.

Veiligheid

De TT-MTR controller moet worden geïnstalleerd op een droge plaats. Hij is niet geschikt voor installatie op een plaats waar de unit in aanraking kan komen met regen of water.

Zorg dat de aansluitingen correct zijn verbonden.

Dit apparaat is niet bedoeld voor gebruik door personen (inclusief kinderen) met verminderde fysieke, sensorische of intellectuele capaciteiten, of met gebrek aan ervaring en kennis, tenzij dat onder toezicht gebeurt of ze geïnstrueerd zijn over het gebruik van dit apparaat door een persoon die verantwoordelijk is voor hun veiligheid. Houd toezicht op kinderen om ervoor te zorgen dat ze niet met het apparaat spelen.

Onderhoud

De TT-MTR Controller is gemaakt van duurzame materialen, maar regelmatige verzorging en onderhoud van uw controller helpt de levensduur van het product te verlengen.

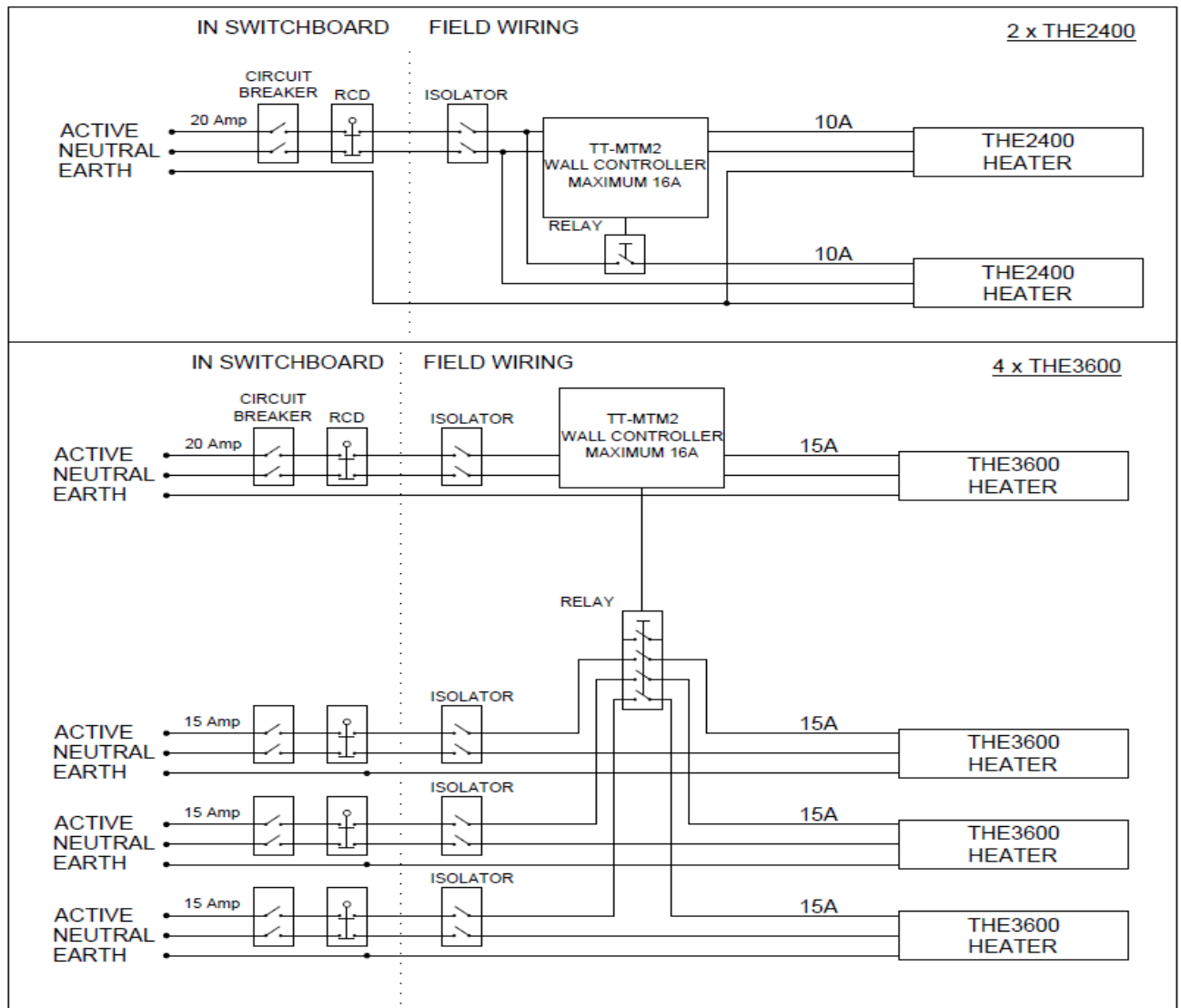
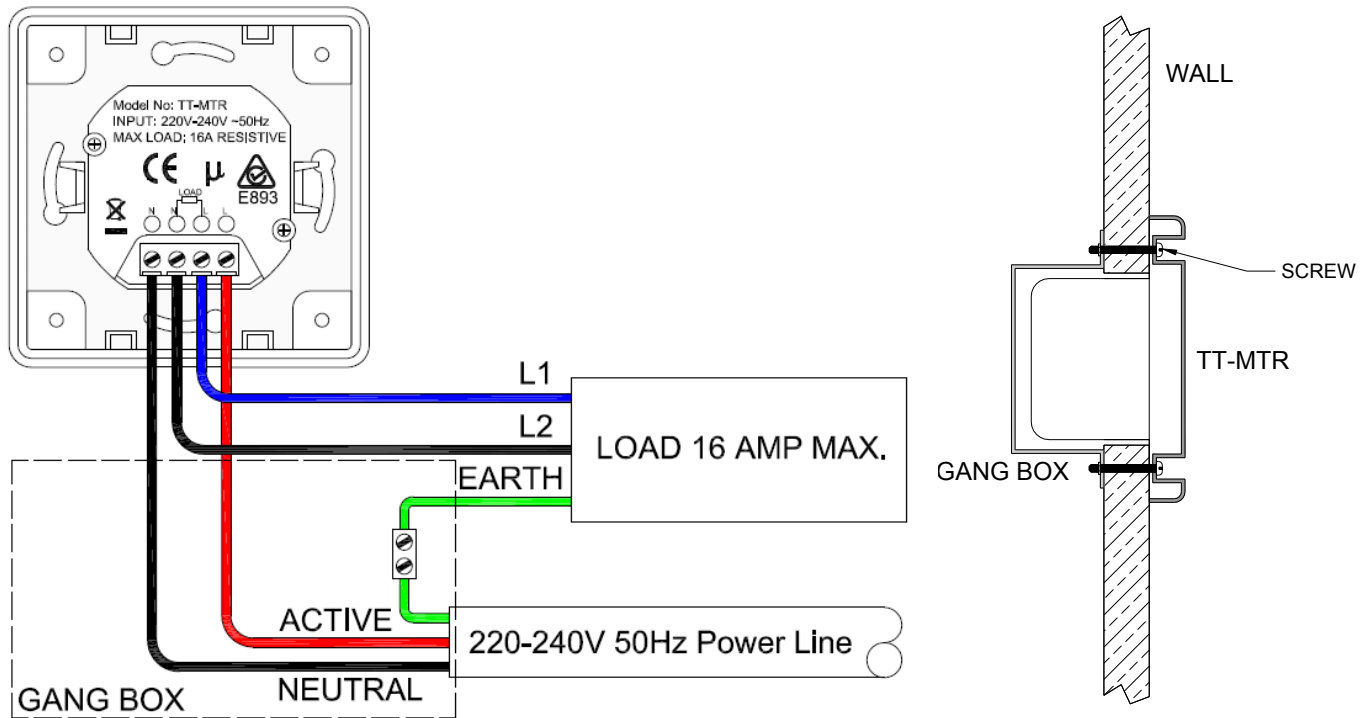
Stof de controller regelmatig af om het oppervlak schoon te houden. Door dit minimaal elke drie maanden te doen verzamelt zich minder vuil en blijft het apparaat er optimaal uitzien.

Gebruik voor het reinigen van de controller geen schurende materialen of producten, inclusief oplosmiddelen, op citrus gebaseerde reinigingsmiddelen of andere agressieve reinigingsproducten. Gebruik geen water of een vochtige doek om de controller te reinigen.

MODEL	MAXIMALE VOLTAGE (Volts)	MAXIMALE AMPÈRES (Amps)	VERPAKKINGS-AFMETINGEN (mm)	GEWICHT (kg)
TT-MTR	220—240	16	80 x 80 x 42	0.5



Installatie Wand Controller





Veiligheid

HEATSTRIP Elegance beschikt over beschermingsgraad IP55. Dit houdt in dat de unit beschermd is tegen indringing van water vanuit alle richtingen. De HEATSTRIP kan zonder problemen schoongemaakt worden.

HEATSTRIP is uitgebreid getest in laboratoria, de fabriek van Thermofilm in Melbourne en in de praktijk in Australië en daarbuiten. Dankzij al deze testen is de klant verzekerd van een product van zeer hoge kwaliteit.

Onafhankelijk laboratoriumonderzoek bevestigt volledige compliance met Australische en andere internationale standaarden, zoals CE, AS/ANZ en UL/CSE.

De heater is leverbaar als uitvoering met stekker (2400 W) en als uitvoering voor aansluiting op het vaste stroomnet (3600 W). Bij beide uitvoeringen dient de vaste bedrading door een erkende elektricien geïnstalleerd te worden met inachtneming van relevante wet- en regelgeving.

HEATSTRIP is Klasse 1-apparatuur en moet geaard zijn.

Als de heater is ingeschakeld, wordt hij ZEER HEET. Raak geen enkel onderdeel van de heater aan als deze is ingeschakeld. Raak geen enkel onderdeel aan tot dertig minuten nadat de heater is uitgeschakeld.

Dit apparaat is niet bedoeld voor gebruik door personen (waaronder kinderen) met verminderde lichamelijke, zintuiglijke of verstandelijke vermogens of door personen met een gebrek aan ervaring en kennis, tenzij zij onder toezicht staan van of instructies ontvangen over het gebruik van het apparaat van een persoon die verantwoording draagt voor hun veiligheid. Kinderen dienen in de gaten gehouden te worden om ervoor te zorgen dat zij niet met het apparaat spelen.

Voorkom dat kabels, meubilair, brandbare materialen of andere items in contact komen met de oppervlakte van de heater.

Indien geïnstalleerd in een vochtige ruimte dienen de schakelaars of regelaars van de heater buiten het bereik van personen in bad of onder de douche geplaatst te worden.

De heater dient volgens de installatievereisten geplaatst te worden, met name wat betreft de minimumafstanden.

De heater dient op een stijve beugel of bevestigingspunt bevestigd te worden.

De heater dient niet recht onder of voor een stopcontact bevestigd te worden.

In het geval van een kapot of beschadigd stroomsnoer dient het apparaat teruggebracht te worden naar de winkel waar het gekocht is voor retournering naar Cook & Heat B.V. voor reparatie.

Onderhoud

De HEATSTRIP Elegance is gemaakt van duurzame materialen, maar regelmatig onderhoud kan de levensduur van uw heater verlengen.

Wij raden u aan de heater af te spoelen en de oppervlaktes van de heater met een droge doek met een mild schoonmaakmiddel schoon te maken om opgehoopt vuil te verwijderen. Spoel de heater vervolgens af en zorg dat er geen resten van het schoonmaakmiddel achterblijven.

Chemische stoffen in de lucht, waaronder sigarettenrook, luchtvervuiling, etc., beschadigen de oppervlakte van de heater. In dit geval is extra schoonmaak en onderhoud mogelijk vereist. Door de heater ten minste elke drie maanden schoon te maken, wordt ophoping tegengegaan en blijft de heater mooi. Indien de heater zich in een corrosieve omgeving bevindt, bijv. omdat deze in aanraking kan komen met zout, raden wij u aan de heater elke week schoon te maken door er zoet water op te sprayen. Schakel de heater na het schoonmaken twintig minuten in om eventuele waterresten te laten drogen en watervlekken te voorkomen.

Voordat u de heater gaat schoonmaken of inspecteren, dient de heater volledig uitgeschakeld en afgekoeld te zijn. Gebruik geen schuurmiddelen of -producten om de heater schoon te maken, zoals oplosmiddelen, schoonmaakmiddelen op citrusbasis of andere ruwe schoonmaakproducten.

Zorg ervoor dat uw handen schoon zijn tijdens het bedienen van de heater of trek handschoenen aan, omdat vet en vuil de oppervlakte van de heater kunnen beschadigen. Gebruik geen hogedrukreinigers om de heater schoon te maken; gebruik alleen fijne waterspray.



Garantie Voorwaarden & Conditie

Algemene voorwaarden garantie

Cook & Heat B.V. garandeert aan de oorspronkelijke eigenaar dat HEATSTRIP Elegance-producten vrij zijn van materiaaldefecten en constructiefouten voor een periode van 4 jaar na datum van aankoop in overeenstemming met de volgende algemene voorwaarden:

Dekking van deze garantie is onderhevig aan de volgende voorwaarden:

- Het HEATSTRIP-product dient volgens de installatievereisten en relevante wet- en regelgeving geïnstalleerd te zijn.
- Het HEATSTRIP-product dient volgens de instructies in de installatiehandleiding onderhouden en schoongemaakt te worden.
- Er bestaat geen garantie, expliciet of impliciet, omtrent capaciteitsvereisten. De keuze voor een unit of units is volledig afhankelijk van het ontwerp van het systeem en de capaciteiten zoals bepaald door de koper.
- De klant dient het product op geen enkele ongeoorloofde wijze gerepareerd, geopend of aangepast te hebben.
- Deze garantie dekt geen schade aan de producten of onderdelen die is veroorzaakt door oorzaken buiten de macht van Cook & Heat B.V., waaronder, maar niet beperkt tot, oneigenlijk gebruik van het product, reparatie van het product, onjuiste installatie, onjuiste stroomvoorziening, schade veroorzaakt tijdens transport, foutieve toepassing, verkeerd gebruik, misbruik, vandalisme, gebrek aan onderhoud of een ongeluk.
- De verplichtingen van Cook & Heat B.V. zijn beperkt tot reparatie of vervanging van onderdelen die naar mening van Cook & Heat B.V. defect zijn.
- Garantie is beperkt tot reparatie of vervanging van onderdelen van het product die naar mening van Cook & Heat B.V. defect zijn.
- Transportkosten als gevolg van retournering van het product naar de fabriek van Cook & Heat B.V. (of een andere locatie schriftelijk erkend door Cook & Heat B.V.) zijn voor rekening van de klant.
- Alle producten worden voorafgaand aan verzending geïnspecteerd en getest en zijn na verzending vanuit Cook & Heat B.V. voor risico van de koper indien het transport niet door Cook & Heat B.V. wordt verzorgd.
- Op den duur kan de oppervlakte verkleuren; dit wordt niet gedekt door deze garantie.
- De heaters kunnen verdraaien en verbuigen; dit wordt niet gedekt door deze garantie.
- Producten of onderdelen worden pas geleverd na een inspectie van het defecte product of onderdelen door Cook & Heat B.V. of een erkende vertegenwoordiger van Cook & Heat B.V.
- Cook & Heat B.V. betaalt niet mee aan locatiekosten of arbeidskosten voortkomend uit het vervangen, repareren, verwijderen, installeren, onderhouden, transporteren of verwerken van onderdelen van complete producten, en is niet verantwoordelijk voor onderdelen die gerepareerd of vervangen zijn zonder schriftelijke toestemming. Cook & Heat B.V. is niet aansprakelijk voor het niet kunnen voldoen aan de verplichtingen van deze garantie of een vertraging daarvan veroorzaakt door omstandigheden buiten zijn macht, inclusief, maar niet beperkt tot, wettelijke of overheidsbeperkingen, stakingen, branden, overstromingen, extreme weersomstandigheden en vertraagde levering van onderdelen.

Indien producten bij ontvangst beschadigd zijn, dient u het transportbedrijf onmiddellijk op de hoogte te stellen van de schade en deze op de vrachtbrief te vermelden. Indien er na het uitpakken schade wordt vastgesteld, eis dan onmiddellijke inspectie van het vervoersbedrijf en zie erop toe dat de schade wordt vermeld op de vrachtbrief.

De klant belooft het product te gebruiken in overeenstemming met:

- Alle instructies die Cook & Heat B.V. van tijd tot tijd geeft.
- Alle wet- en regelgeving, inclusief, maar niet beperkt tot, alle relevante elektrotechnische normen en milieuwetten en -regels omtrent installatie, opslag, gebruik, verwerking en onderhoud van de goederen.
- Alle noodzakelijke en relevante voorzorgs- en veiligheidsmaatregelen met betrekking tot installatie, opslag, gebruik, verwerking en onderhoud van de goederen.

Gedistribueerd door:

Cook & Heat B.V.
www.heatstrip.eu

Geproduceerd door:

Thermofilm Australia Pty Ltd
17 Johnston Court
Dandenong South
Victoria 3175 Australia

HEATSTRIP[®]



LEADING HEATING TECHNOLOGY

MANUEL D'UTILISATION, D'INSTALLATION ET D'ENTRETIEN



HEATSTRIP Elegance - EUROPE

Le radiateur design !





CONTENTS

Aperçu du produit _____	47
Spécifications _____	49
Principe du chauffage localisé _____	50
Rayon d'action _____	51
Guide de sélection _____	52
Disposition des tables _____	53
Installation _____	54
Lieu d'installation _____	55
Options de fixation _____	56
Options de fixation standard _____	57
Boîtier encastrable _____	58
FME dimensions _____	59
FME Dimensions d'espacement pour installation de l'enceinte encastrée _____	60
FME Instructions d'installation _____	61
Extension du support de fixation _____	62
Contrôleur mural avec commande à distance _____	63
Installation contrôleur mural _____	64
Sécurité et entretien _____	65
Garantie _____	66



Aperçu du produit

Pourquoi choisir les radiateurs électriques rayonnants HEATSTRIP en extérieur ou dans les pièces difficiles à chauffer ?

En raison du mouvement d'air constant qui balaie généralement les espaces extérieurs ou intérieurs ouverts, de nombreux radiateurs conventionnels pour patios s'appuient sur le principe de la convection en chauffant l'air environnant. Cette solution n'est pas pratique car l'air chauffé est rapidement chassé par le mouvement naturel de l'air. Les radiateurs rayonnants transfèrent directement la chaleur aux objets grâce à des ondes infrarouges. Alors que les convecteurs chauffent l'air qui se trouve entre les objets, les radiateurs rayonnants chauffent la surface des objets eux-mêmes. Les radiateurs électriques rayonnants HEATSTRIP sont plus efficaces à l'extérieur et dans les pièces mal isolées car ils ciblent directement les personnes et les objets qui se trouvent dans leur rayon d'action.

Chauffage discret et élégant pour espaces extérieurs couverts et espaces intérieurs ouverts

Grâce au principe du chauffage rayonnant, HEATSTRIP assure un chauffage efficace et économe en énergie en extérieur et dans les grands espaces intérieurs. HEATSTRIP a permis à de nombreux lieux publics (restaurants, pubs, clubs, etc.) d'utiliser leurs terrasses extérieures jour et nuit, en toute saison. Dans l'entreprise, HEATSTRIP permet de chauffer confortablement les zones extérieures réservées aux fumeurs ou aux loisirs, ainsi que certains postes de travail situés dans des usines, des entrepôts et des salles d'exposition. À la maison, HEATSTRIP chauffe agréablement les terrasses extérieures couvertes, les patios, les vérandas, les cours et les balcons.

Design minimaliste subtil

La façade fine et élégante du HEATSTRIP n'émet pas de lumière et ne luit pas pendant l'utilisation. Elle se fond élégamment dans votre décor. Grâce aux options de montage au plafond, sur le mur ou sous parasol, vous optimisez l'utilisation de l'espace.

La catégorie HEATSTRIP associe 4 séries de produits. Chaque série produit une température différente et correspond donc mieux à certaines applications. Le tableau ci-dessous propose une liste des applications les plus courantes et permet de choisir la série la plus efficace en fonction de l'application choisie. Les critères pris en compte sont de nature générale, se reporter au manuel de chaque produit pour plus d'informations.

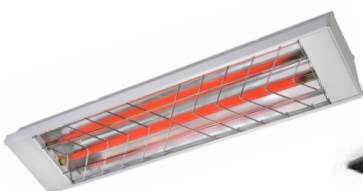
HEATSTRIP Max (modèles THX) est un radiateur très haute température utilisé dans des lieux ouverts ou non couverts, dont la hauteur d'installation se situe entre 2,4 m et 3,5 m.

HEATSTRIP Design (modèles THH) est un radiateur haute température principalement utilisé en extérieur, dans les lieux clos sur 1, 2, 3 ou 4 côtés, avec une hauteur d'installation idéale comprise entre 2,1 m et 2,7 m.

HEATSTRIP Indoor (modèles THS) est un radiateur d'intensité moyenne utilisé à l'intérieur dans les lieux protégés.

HEATSTRIP Elegance (les modèles THE) est un chauffe-eau de haute qualité et est principalement utilisé pour les pièces extérieures où il ya 1,2 3, ou 4 côtés fermés, avec une hauteur de montage de 2,1 m à 2,7m.

APPLICATION	THX	THH	THE	THS
Pièces intérieures isolées, salles de classe, bureaux, salles de bains, zones humides, salles de séchage		√	√	√
Espace extérieur couvert, café, véranda, patio, balcon, hauteur de plafond de 3 m ou moins		√	√	
Espace extérieur couvert, café, véranda, patio, balcon, hauteur de plafond de 3 m ou plus	√			
Espace extérieur fortement exposé	√			
Espace intérieur ouvert, entrepôt, usine, zone de production, installation sportive	√	√	√	√
Chauffage localisé à l'intérieur, au-dessus de tables, lieux de rassemblement	√	√	√	





Chauffage électrique performant et financièrement avantageux

La conception novatrice du HEATSTRIP garantit une dispersion confortable et régulière de la chaleur pour un coût de fonctionnement minimal.

Conception flexible

Les trois modèles HEATSTRIP Elegance permettent de répondre à tous les besoins de chauffage en extérieur ou dans les grands espaces intérieurs. Les supports de fixation fournis permettent une installation au plafond ou sur le mur (oblique). HEATSTRIP propose, en option, des supports de fixation sur poutre ou sur parasol fixe, des extensions pour supports de fixation, des supports de fixation à chaînes, des supports de fixation jumelés et des boîtiers encastrables.

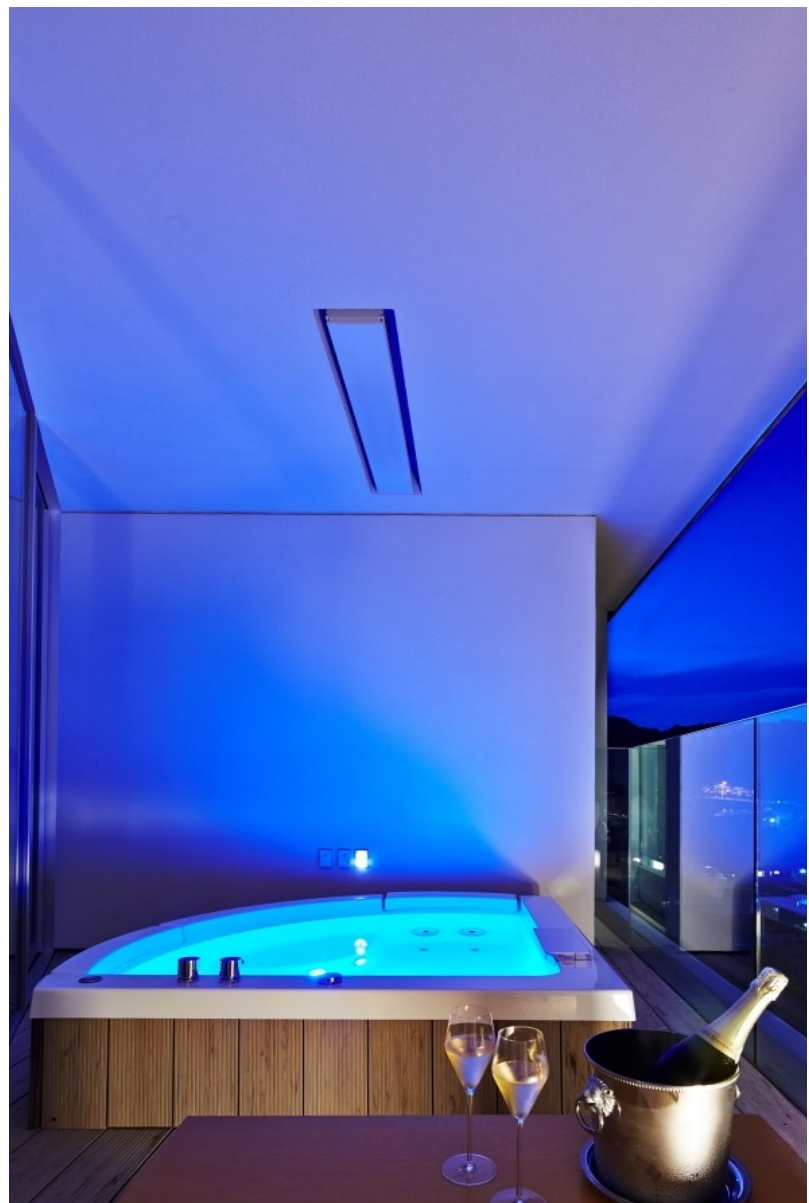
Fabriqué en Australie

Conçu, fabriqué et assemblé en Australie

Élégant, HEATSTRIP a un front Off-White standard et un boîtier arrière en alliage anodisé.

Facile à utiliser

Le radiateur HEATSTRIP standard est actionné par un simple interrupteur on/off. Il peut être branché directement sur une prise électrique ou raccordé au circuit électrique et équipé d'un interrupteur mural. Il faut environ 5 minutes à l'unité pour atteindre la température maximale et environ 30 minutes pour refroidir (selon la température ambiante). Ne pas oublier d'éteindre l'unité.

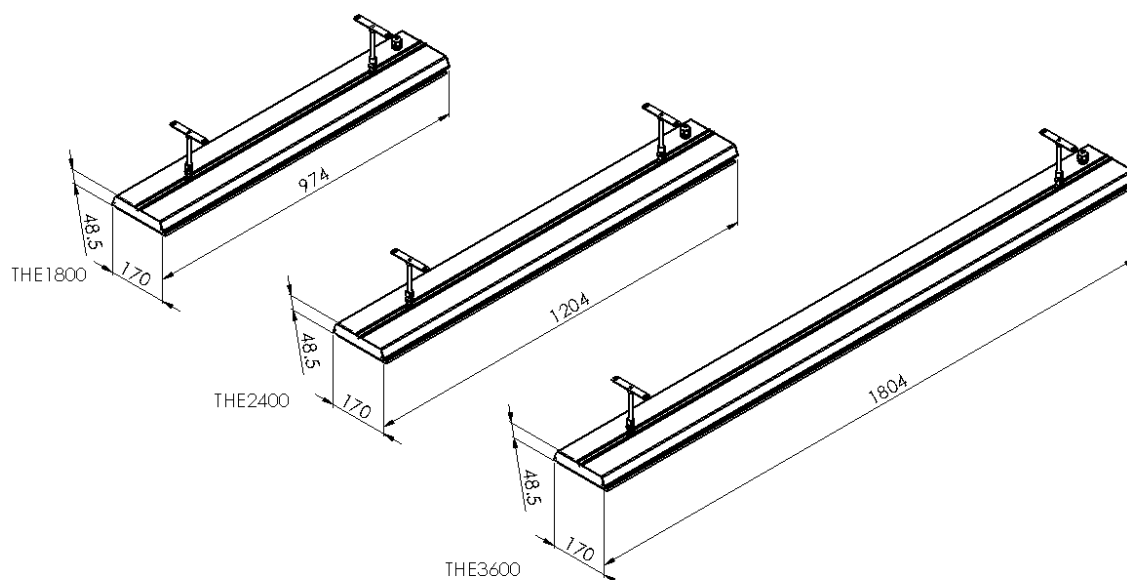




Caractéristiques

MODÈLE	PUISSANCE (WATTS)	COURANT (AMPS)	DIMENSIONS (mm)	POIDS (Kg)	longueur de fil (mm)	PRISE DE COURANT	TENSION (VOLTS)
THE1800EU	1800	7.5	974x 170 x 48.5	4	1000	YES	230
THE2400EU	2400	10	1204 x 170 x 48.5	7	1000	YES	230
THE3600EU	3600	15	1804 x 170 x 48.5	9	1000	NO	230
THE1800UK	1800	7.5	974x 170 x 48.5	4	1000	YES	240
THE2400UK	2400	10	1204 x 170 x 48.5	7	1000	YES	240
THE3600UK	3600	15	1804 x 170 x 48.5	9	1000	NO	240

TYPE DE RADIATEUR	Radiateur électrique rayonnant suspendu de forte intensité avec surface en alliage profilé	
PUISSANCE	Se reporter au tableau ci-dessus	
ALIMENTATION	230-240 V, 50-60 Hz, monophasé	
RACCORDEMENT	Câble 3 fils, 2,5 mm ²	
CERTIFICATIONS	AUSTRALIA/CE	
HAUTEUR D'INSTALLATION	MINIMALE	2.1 m
	RECOMMANDÉE	2.4 m to 2.7 m
	MAXIMALE	3,0 m (pour les hauteurs de plafond plus importantes, les unités peuvent être abaissées au moyen d'extensions optionnelles ; voir aussi la gamme Heatstrip Max)
OPTIONS DE FIXATION	Plafond, mur, poutre, parasol fixe et encastrement. Il est également possible de rallonger le support au moyen de tiges rigides ou de chaînes.	
INDICE DE PROTECTION	IP55 Protection contre les projections d'eau de toute direction	
PAYS DE FABRICATION	Australie	



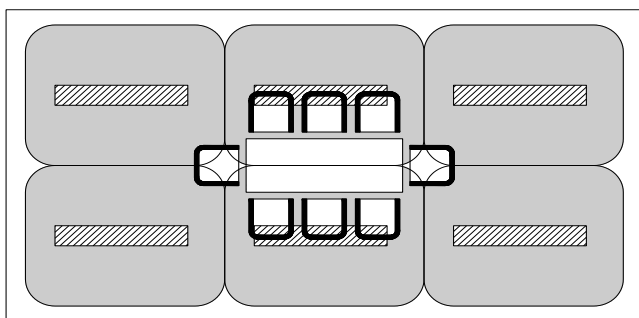


Principe du chauffage localisé

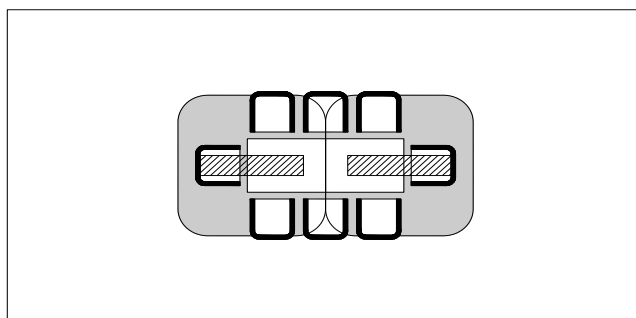
Pour les applications en extérieur ou dans des pièces difficiles à chauffer, l'utilisateur dispose de deux options pour choisir la taille et le nombre de radiateurs nécessaires. La première option consiste à chauffer confortablement l'ensemble de la zone en se basant sur les dimensions de l'espace, qu'il soit entièrement occupé ou non. La deuxième option consiste à chauffer davantage les zones fréquemment utilisées, par exemple les tables, le barbecue, le salon, les lignes d'assemblage ou les postes de travail. La solution du chauffage localisé est souvent plus pratique et plus économe en énergie. Le chauffage localisé permet de réduire le coût d'investissement initial, mais aussi les dépenses de fonctionnement. Il permet de zoner l'espace, c'est-à-dire de chauffer uniquement les secteurs utilisés, par exemple les tables d'un restaurant ou d'une terrasse.

Le premier schéma compare le chauffage ponctuel d'une table et le chauffage d'une zone entière.

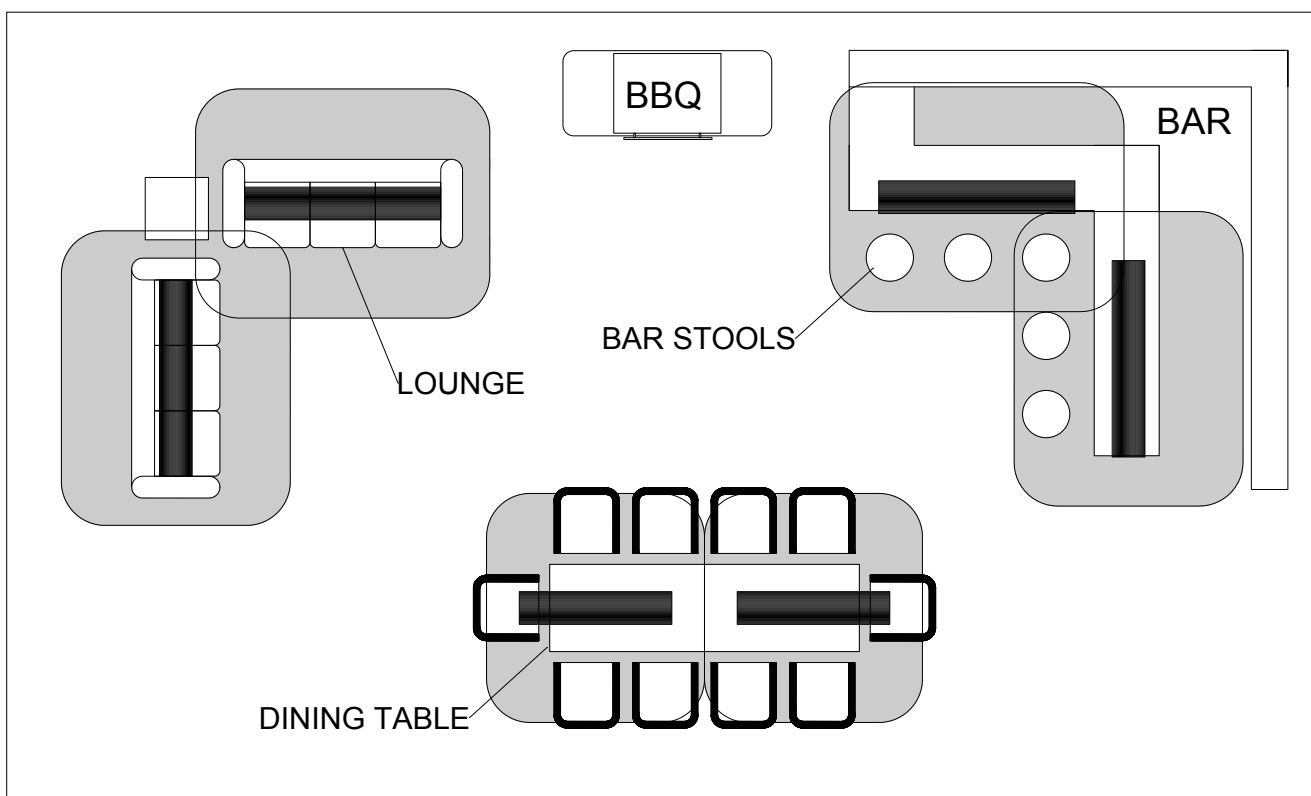
Le schéma du bas montre la flexibilité de HEATSTRIP qui offre un environnement confortable même quand la disposition des lieux est inhabituelle.



6 x THE2400AEU



2 x THE2400AEU





Rayon d'action

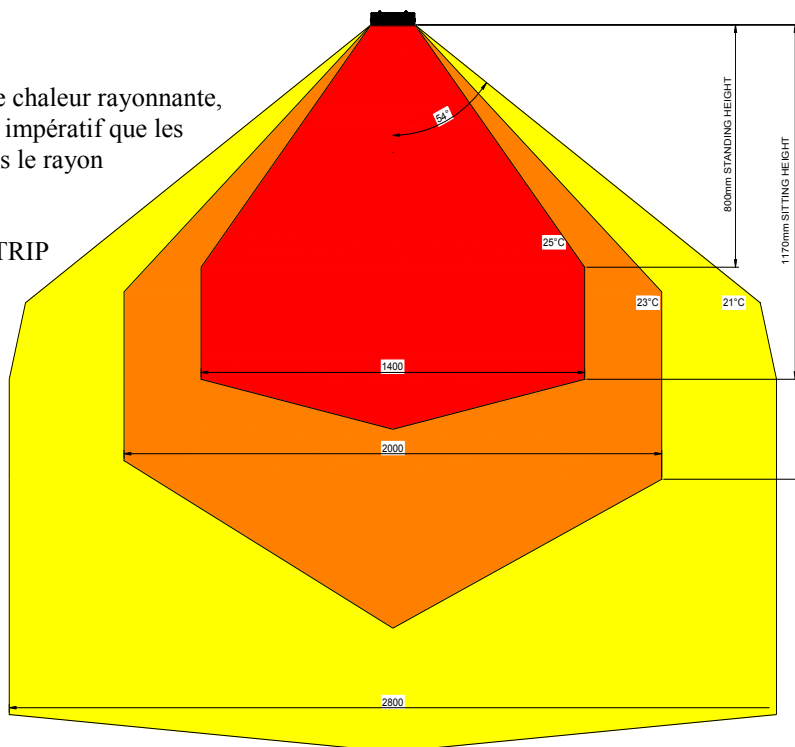
Le radiateur électrique HEATSTRIP produit une chaleur rayonnante, qui chauffe les objets plutôt que l'air. Il est donc impératif que les objets à chauffer (les personnes) se trouvent dans le rayon d'action du radiateur.

Le schéma montre le rayon d'action du HEATSTRIP Elegance. Il peut servir de guide pour un espace extérieur entièrement clos. Le schéma montre que la production de chaleur est maximale juste en dessous du radiateur et que la température diminue au fur et à mesure que l'on s'éloigne du radiateur.

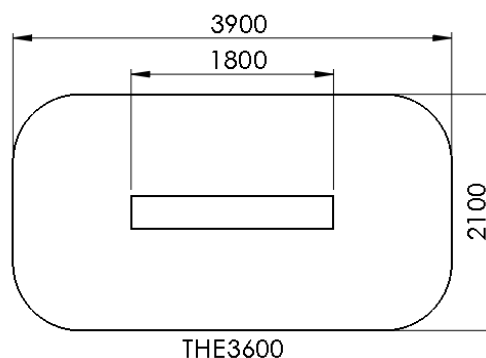
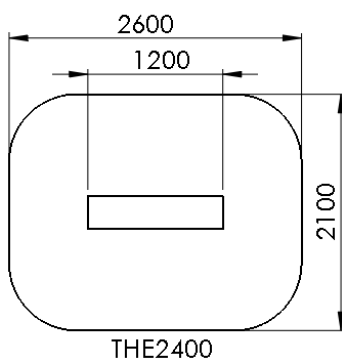
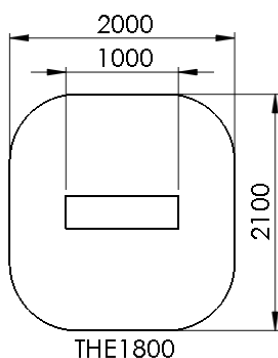
Il est donc particulièrement important de respecter les hauteurs de fixation recommandées et de positionner le radiateur

Le schéma ci-dessous montre la surface de chauffage approximative de chaque modèle, sur la base d'un environnement clos à l'intérieur et à l'extérieur, avec fixation au plafond directement au-dessus de la zone.

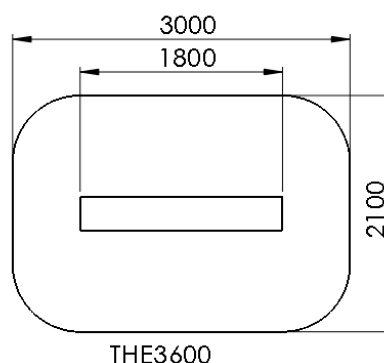
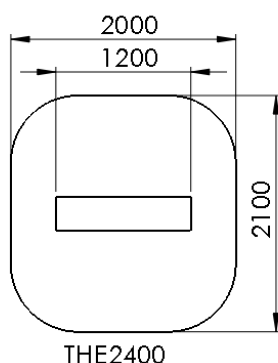
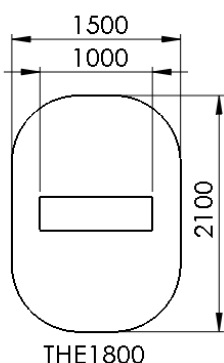
Le rayon d'action du radiateur diminue en cas d'installation au mur ou en oblique, juste au-dessus de la zone à chauffer.



HEATED AREA INDOOR SPOT HEATING



HEATED AREA OUTDOOR ENCLOSED HEATING





Guide de sélection

Avant de choisir le modèle exact et la quantité de radiateurs nécessaires pour votre installation, vérifiez que vous utilisez la bonne catégorie de radiateurs Heatstrip.

Vous trouverez ci-dessous un aperçu des options Heatstrip.

HEATSTRIP Design/Elegance (modèles THH/THE) est un radiateur haute température principalement utilisé en extérieur, dans les lieux clos sur 1, 2, 3 ou 4 côtés, avec une hauteur d'installation idéale située entre 2,1 m et 2,7 m. Idéal pour les applications intérieures difficiles à chauffer et les environnements humides nécessitant un indice IP55.

HEATSTRIP Max (modèles THX) est un radiateur très haute température utilisé dans des lieux ouverts ou non couverts, dont la hauteur d'installation se situe entre 2,4 m et 3,5 m. Également adapté aux environnements intérieurs difficiles tels que les lieux d'exposition, les lignes de production, les entrepôts, etc.

HEATSTRIP Indoor (modèles THS) est un radiateur d'intensité moyenne utilisé pour les applications intérieures protégées, telles que les serres, les salles de classe, les halls, les gymnases, etc.

Recommandations générales relatives à **HEATSTRIP Elegance** :

- Hauteur de fixation idéale : 2,1 m à 2,7 m. La hauteur maximale est de 3 m dans un environnement extérieur protégé.
- Emplacement d'installation idéal : au plafond, juste au-dessus de la zone à chauffer (par exemple, au-dessus d'une table)
- Sur la base du rayon d'action de la page précédente, pour une zone extérieure protégée, la puissance minimale requise est de 500 W/m². Pour un chauffage localisé à l'intérieur, une capacité de chauffage minimale de 400 W/m² est recommandée.

Le tableau ci-dessous précise le rayon d'action de chacun des modèles **HEATSTRIP Elegance** (en m²), sur la base de 3 scénarios différents.

Par exemple, pour un espace extérieur protégé des vents dominants par des murs, des bâches, etc., le modèle THE1800AEU couvrira une surface de 3.6 m² et le modèle THE2400AEU une surface de 4,8 m².

En cas de fixation au mur en oblique, l'espace couvert peut être réduit de 40 %. La distance de projection de chaleur maximale à partir du mur est de 2 m.

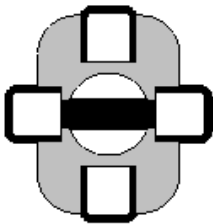
MODÈLE	INTÉRIEUR PROTÉGÉ (m ²)	EXTÉRIEUR ENCLOSÉ (m ²)	EXTÉRIEUR EXPOSÉ (m ²)
THE 1800	4.5	3.6	3
THE 2400	6	4.8	4
THE 3600	9	7.2	6



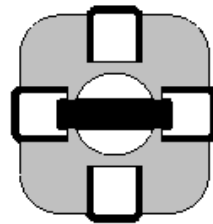
Disposition des tables

Pour la majorité des applications en extérieur, la méthode la plus efficace consiste à chauffer ponctuellement une table ou un espace équivalent. Les schémas ci-dessous montrent le modèle requis et la quantité de radiateurs nécessaires pour chauffer une installation résidentielle courante.

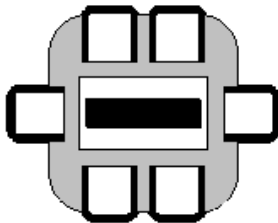
Ces recommandations sont basées sur des radiateurs HEATSTRIP Elegance installés à 2,4 m de hauteur au-dessus d'un exté-espace.



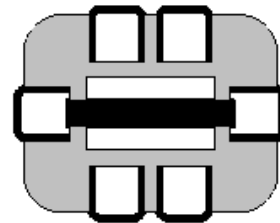
THE1800



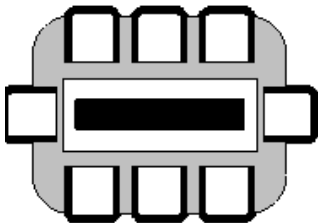
THE2400



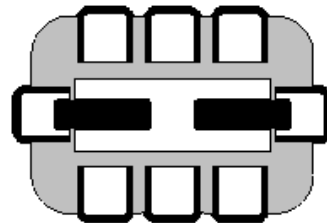
THE2400



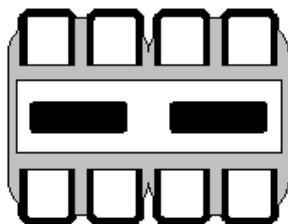
THE3600



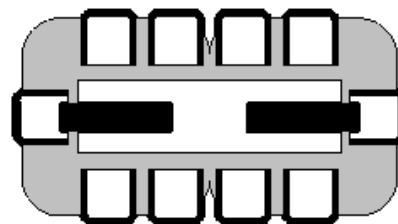
THE3600



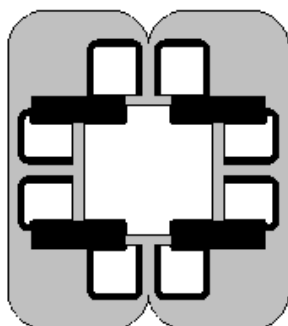
2 x THE1800



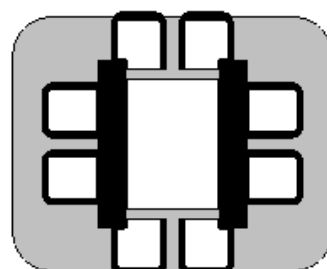
2 x THE1800



2 x THE2400



4 x THE1800



2 x THE3600

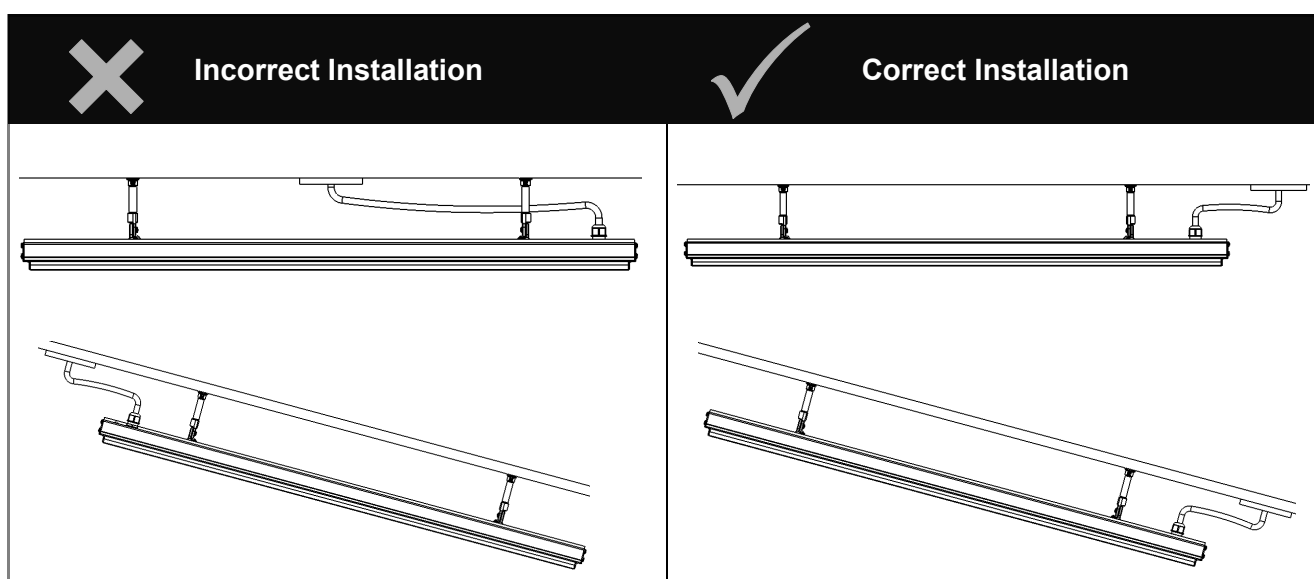


Installation

L'emplacement idéal du HEATSTRIP Elegance est au plafond, juste au-dessus de la zone à chauffer. Si cette solution n'est pas possible, HEATSTRIP Elegance peut être fixé sur un mur et orienté vers le bas. Dans ce cas, vérifier que la hauteur de fixation se situe entre 2,4 m et 3 m et que la table se trouve à moins de 3 m du mur.

Pour les hauteurs d'installation supérieures à 3,5 m, nous recommandons l'utilisation des accessoires optionnels qui permettent d'abaisser le radiateur afin qu'il se trouve dans la fourchette recommandée (2,4 m – 3,5 m). L'efficacité du HEATSTRIP en sera améliorée. Se reporter à la section Accessoires de fixation pour plus d'informations. Le raccordement électrique/la prise de courant ne doit pas être situé derrière le radiateur, mais à l'extérieur de l'empreinte physique de l'unité afin de minimiser le risque de concentration de chaleur à l'arrière de l'unité.

Si le radiateur doit être fixé sur un plan incliné (p. ex., plafond voûté), s'assurer que le raccordement électrique est situé au point le plus bas du radiateur.

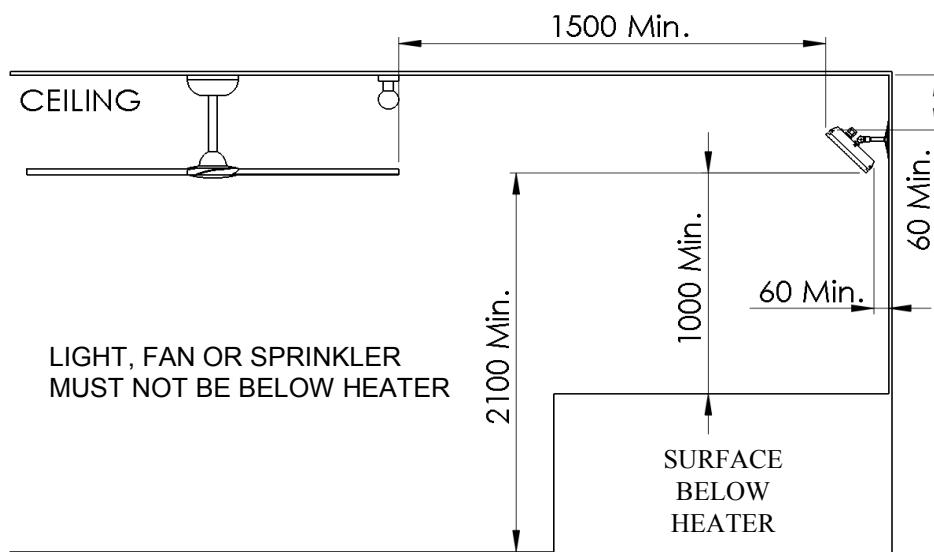


The heating surface must never be directed toward the ceiling

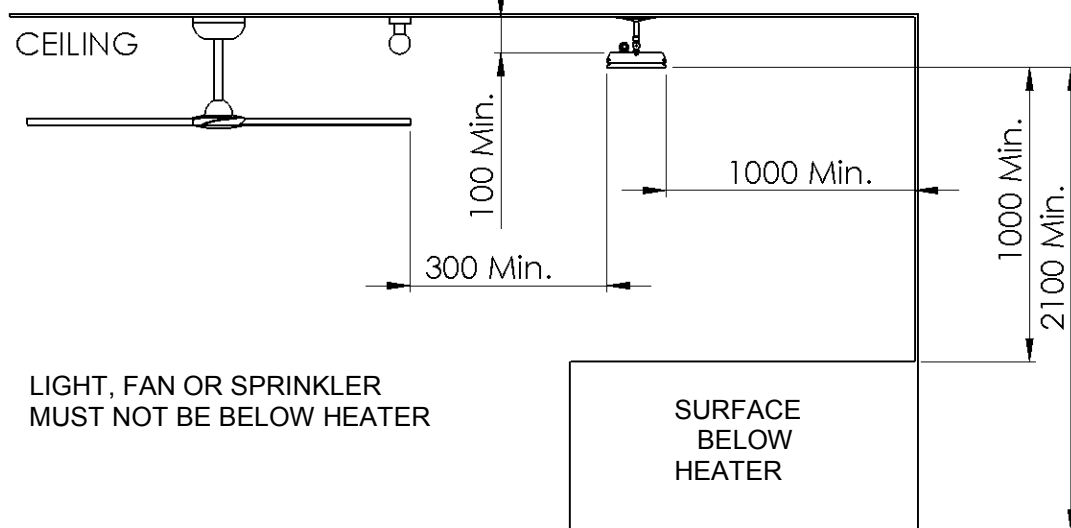


Lieu d'installation – les diagrammes ci-dessous confirment les hauteurs libres recommandées.

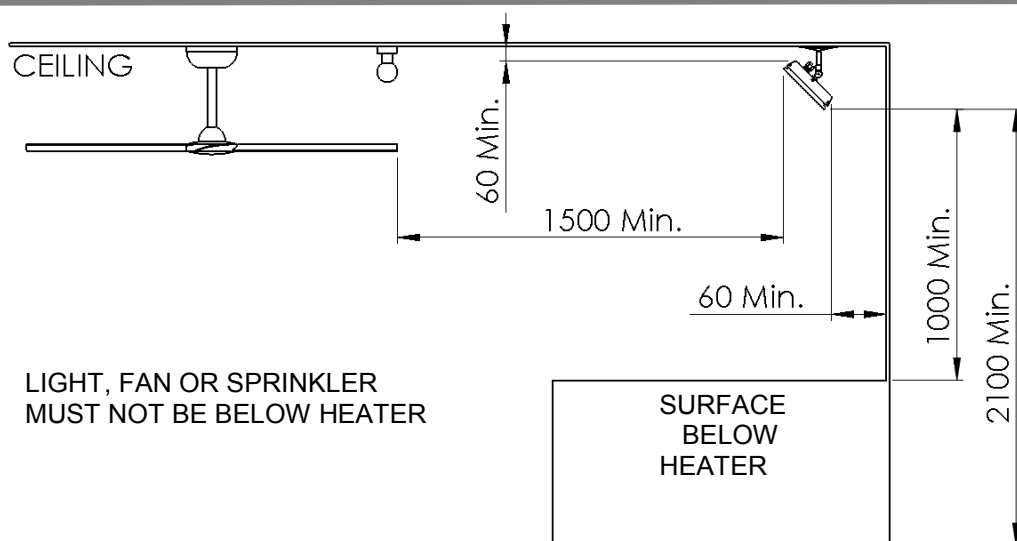
Angled Wall Installation



Ceiling Installation



Angled Ceiling Installation



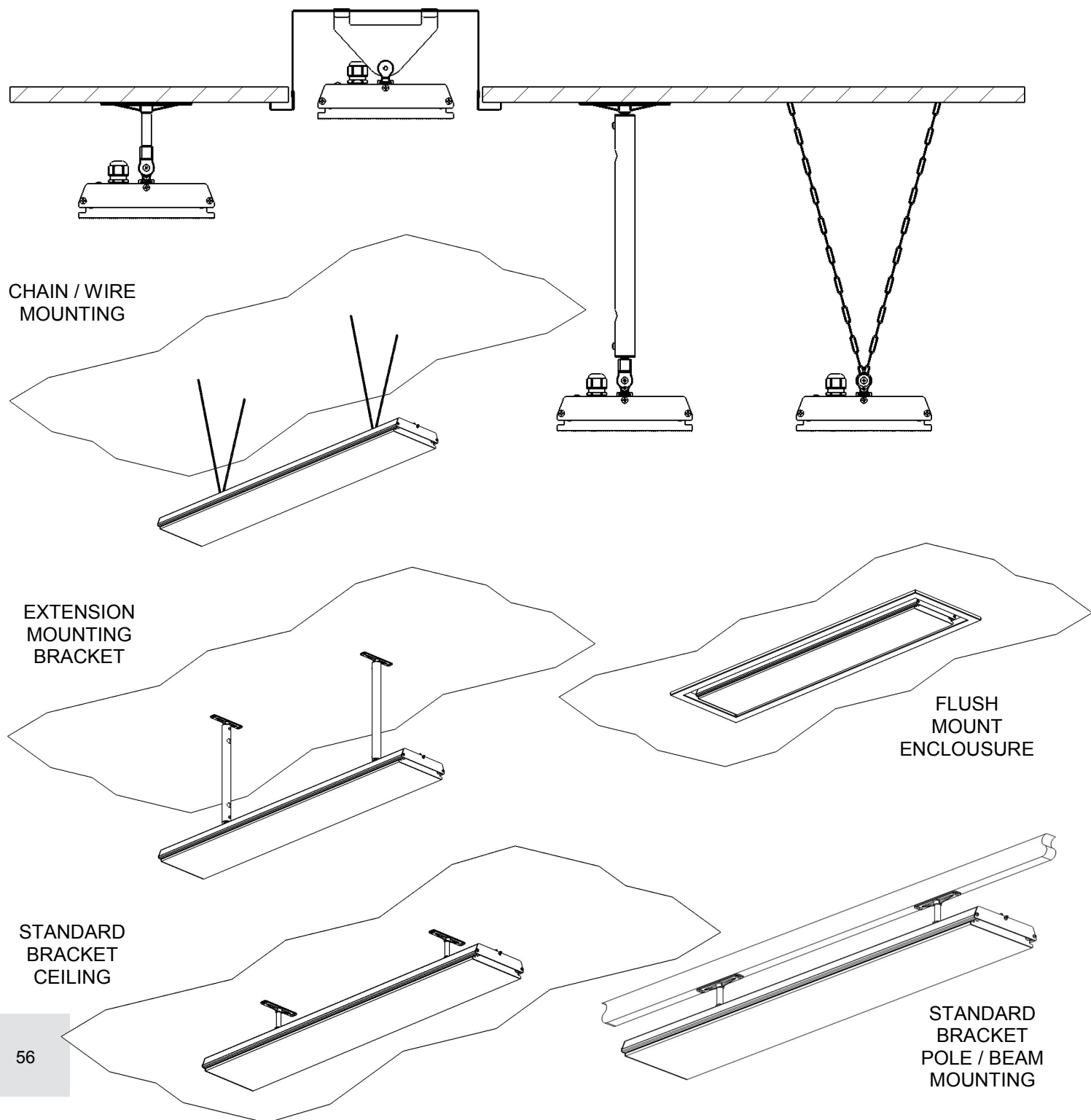


Options de fixation

L'installation du HEATSTRIP Elegance avec les supports de fixation standard fournis est simple et facile. Pour les emplacements plus compliqués, il existe toute une gamme d'options de fixation – se reporter au diagramme ci-dessous.

Le HEATSTRIP Elegance peut être fixé directement au plafond ou au mur (oblique), encastré dans le plafond, suspendu à des chaînes ou à des tiges, fixé à des poutres ou à des poteaux, monté en série (bout à bout) ou jumelé avec une autre unité identique. Se reporter aux pages suivantes pour plus d'informations sur les différentes options de fixation.

CEILING

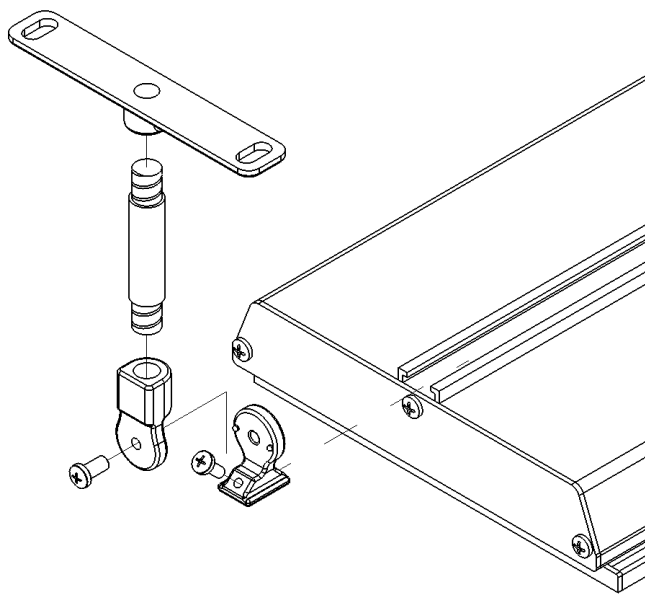
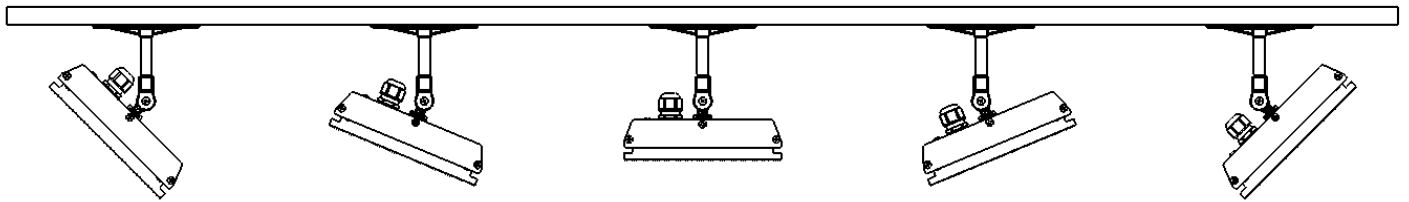




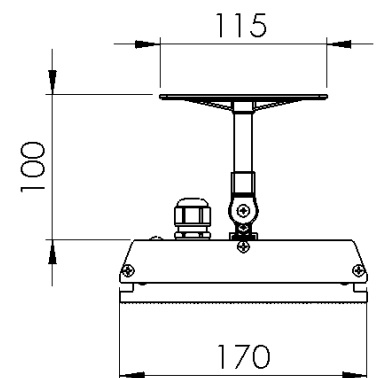
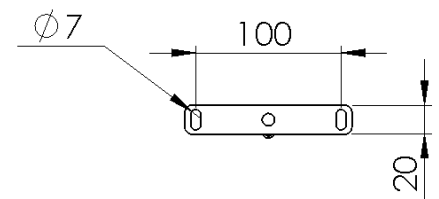
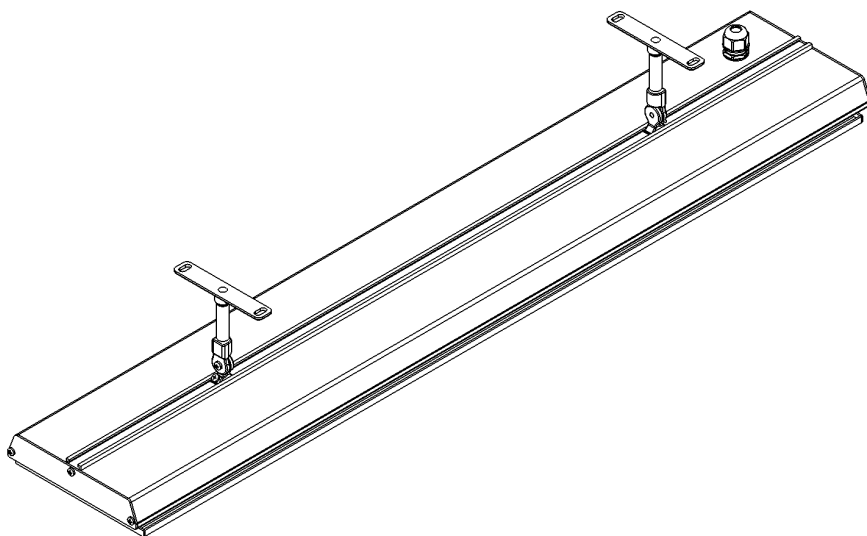
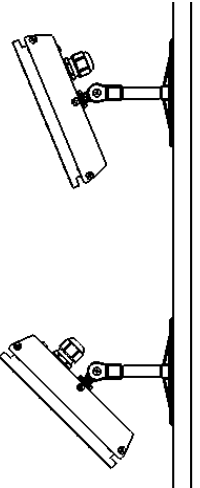
Options de fixation standard

L'installation du HEATSTRIP Elegance avec les supports de fixation standard fournis est simple et facile. Pour les emplacements plus compliqués, il existe toute une gamme d'options de fixation – se reporter au diagramme ci-dessous.

Le HEATSTRIP Elegance peut être fixé directement au plafond ou au mur, suspendu à des chaînes ou à des tiges, fixé à des poutres ou à des poteaux ou jumelé avec une autre unité identique. Se reporter aux pages suivantes pour plus d'informations sur les différentes options de fixation.



MODEL	"D" MINIMUM DISTANCE (mm)
THE1800	570
THE2400	700
THE3600	1000



PART No	PACKAGED DIMENSIONS (mm)	WEIGHT (kg)	MATERIALS	COLOUR
ZBRAK-110	125 x 150 x 40	0.2	ALLOY	OFF-WHITE



Boîtier encastrable

Le boîtier encastrable (Flush Mount Enclosure) est idéal pour installer le HEATSTRIP en le dissimulant dans le plafond. Des boîtiers sont disponibles pour tous les modèles HEATSTRIP Elegance, sous la forme d'unités de fixation d'un seul tenant. L'encastrement est possible dans les plafonds en plâtre ou en bois.

La hauteur de fixation idéale se situe entre 2,5 m et 2,7 m, avec une hauteur de plafond maximale de 3 m dans un environnement extérieur clos. Les hauteurs d'installation maximales doivent être strictement respectées, sans quoi les performances des radiateurs seront réduites.

Consignes de sécurité

Ne laissez aucun câble, meuble, matériau inflammable ni d'autre objet entrer en contact avec les surfaces de l'enceinte encastrée.

L'enceinte encastrée doit être installée conformément aux instructions d'installation en étant particulièrement attentif aux espaces minimum. Le radiateur doit être monté sur un support ou une fixation rigide.

Entretien de l'enceinte encastrée

L'enceinte encastrée est fait en matériaux durables, mais un entretien régulier de votre produit aidera à prolonger sa durée de vie.

Il est recommandé d'essuyer les surfaces de l'enceinte encastrée grâce à un chiffon imbibé de détergent doux afin d'enlever les dépôts de contaminants environnementaux. Enlever ensuite tout le détergent grâce à un chiffon propre.

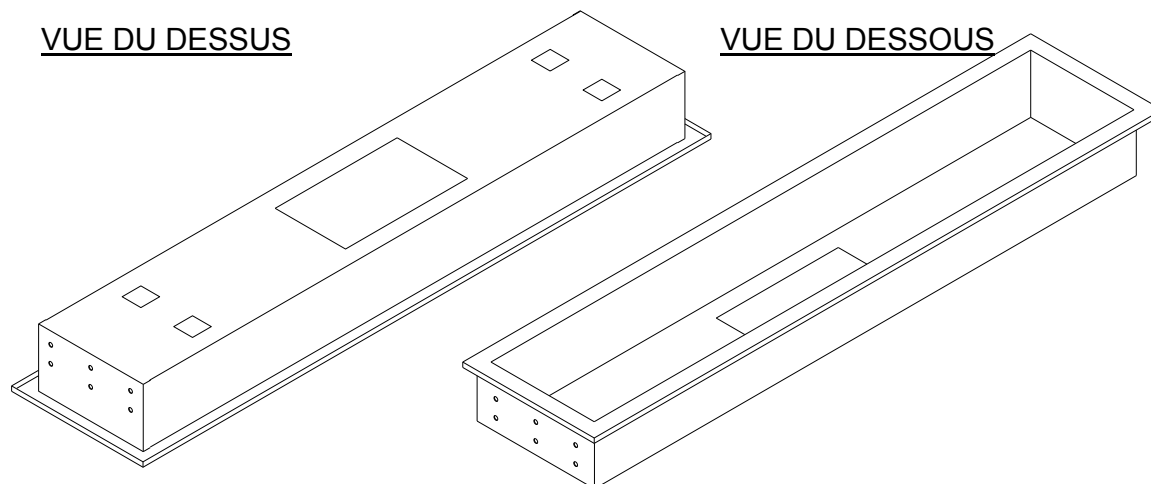
Tous les produits chimiques dans l'atmosphère tels que la fumée de cigarette, la pollution, etc. terniront la surface de l'enceinte encastrée. Dans ce cas, un nettoyage et un entretien supplémentaires seront nécessaires. Un nettoyage trimestriel réduira la quantité de dépôt et préservera au mieux l'aspect du produit. Si l'enceinte encastrée est dans un environnement corrosif tel que des embruns, nous recommandons de la nettoyer chaque semaine.

Avant de la nettoyer ou de l'inspecter, il faut mettre hors tension le radiateur et le laisser complètement refroidir. Pour nettoyer l'enceinte encastrée, n'utilisez pas de matériaux ou produits abrasifs tels que des solvants, nettoyants à base d'agrumes ou d'autres nettoyants agressifs.

En manipulant l'enceinte encastrée, assurez-vous d'avoir les mains propres ou de porter des gants propres car de la graisse ou de la saleté peuvent laisser des traces sur la surface du radiateur.

N'utilisez pas d'eau sous haute pression pour nettoyer l'enceinte encastrée. Il est déconseillé de laver au jet

l'enceinte encastrée et le radiateur car de l'eau pourrait s'infiltrer dans la cavité du toit.





Flush Mount Enclosure Dimensions

Le boîtier à encastrer est un moyen idéal pour installer le HEATSTRIP dans un plafond. Ils sont disponibles pour tous les modèles HEATSTRIP Elegance et sont livrés en une seule pièce pour le montage de chauffe-eau individuels. Le montage encastré peut être utilisé avec du plâtre ou des matériaux de plafond doublés de bois.

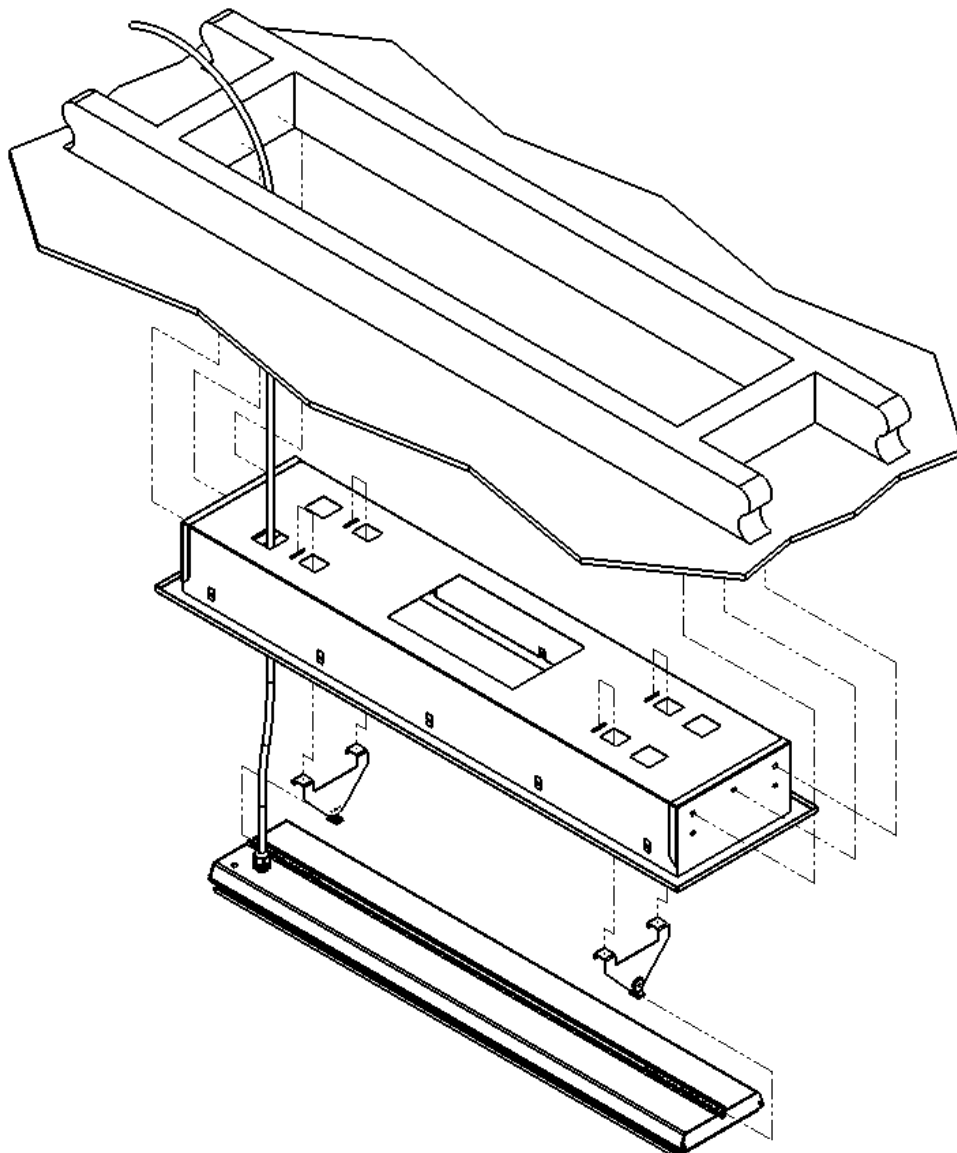
Une hauteur de montage idéale est de 2.3m-2.5m, avec une hauteur maximale de plafond de 2.7m dans un environnement extérieur clos. Les hauteurs de montage maximales doivent être strictement respectées, sinon la performance des unités peut être réduite.

Une distance minimale de 50 mm derrière l'enceinte doit être prévue.

L'enceinte est fabriquée en acier enduit de poudre.

Pour plus d'informations sur l'installation, reportez-vous au manuel d'installation du boîtier encastré.

SUITABLE FOR MODEL	PART No	HOLE CUTOUT DIMENSIONS (mm)	OVERALL DIMENSIONS (mm)	WEIGHT (kg)
THE 1800	THEAC-040	1030 x 240	1080 x 290 x 125	6
THE 2400	THEAC-041	1260 x 240	1310 x 290 x 125	8
THE 3600	THEAC-042	1860 x 240	1910 x 290 x 125	9

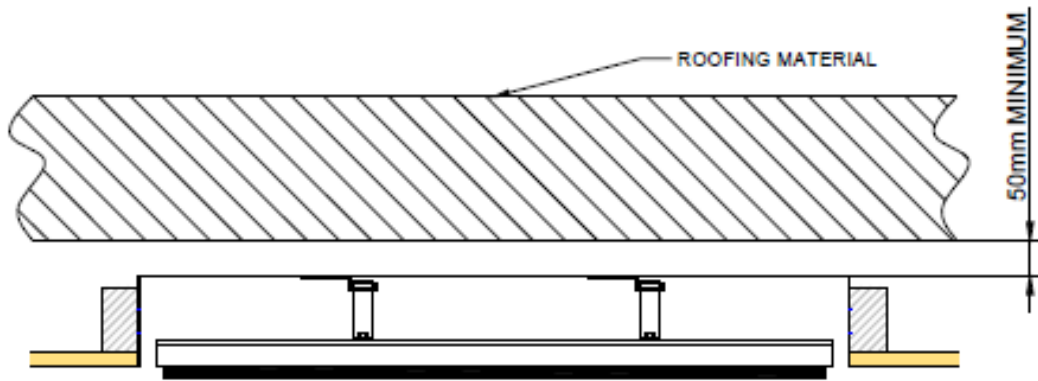




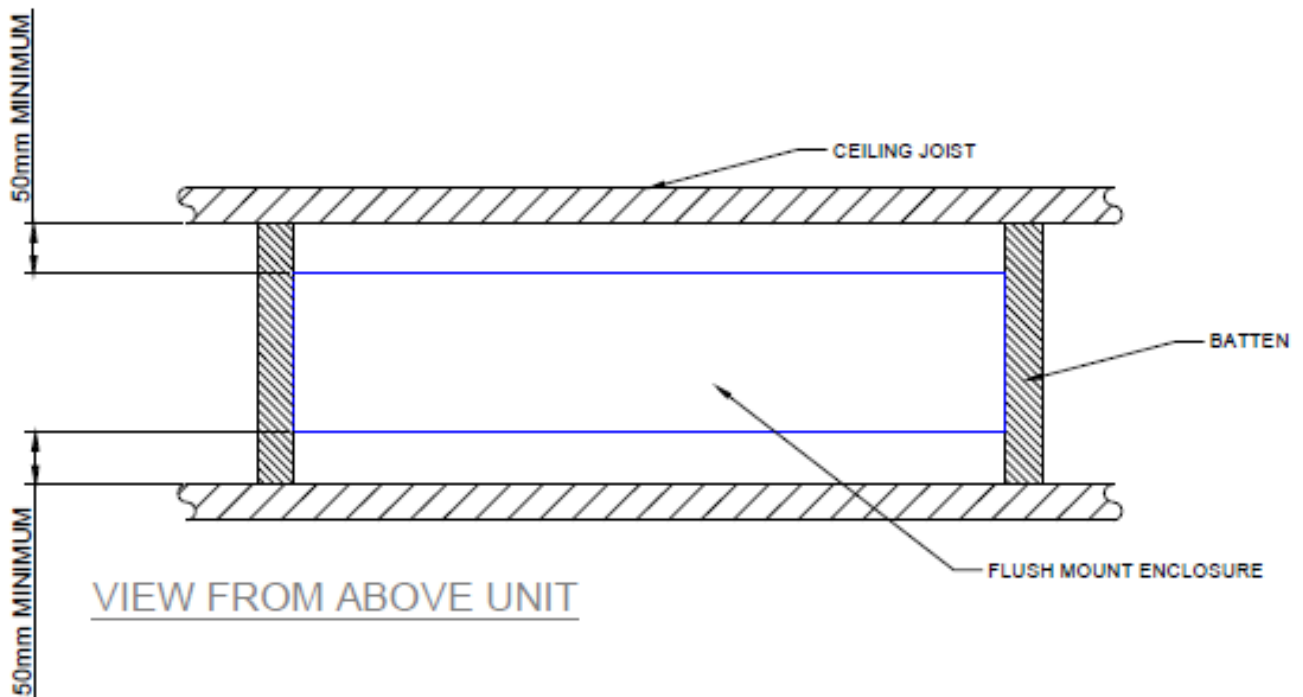
Dimensions d'espacement pour installation de l'enceinte encastrée

Les schémas ci-dessous indiquent l'espace minimal nécessaire pour l'installation de l'enceinte encastrée.

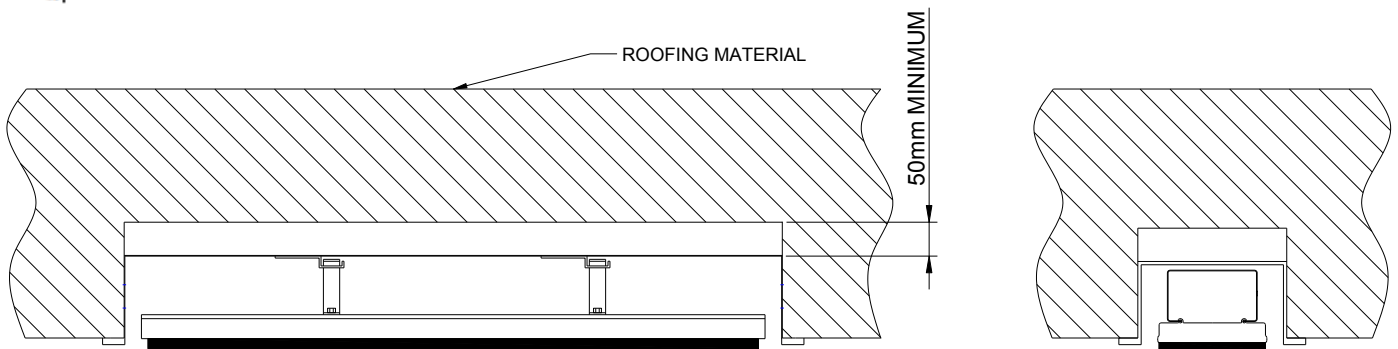
Il est impératif que tous les câbles, supports, isolements et autres matériaux restent à distance de l'arrière et des côtés de l'enceinte encastrée.



VIEW FROM SIDE



VIEW FROM ABOVE UNIT



CONCRETE CEILING

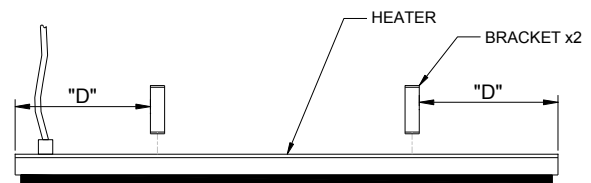


Instructions d'installation

Vérifiez que les exigences d'espacement minimum sont respectées et que les matériaux utilisés sont conformes aux codes de construction locaux.

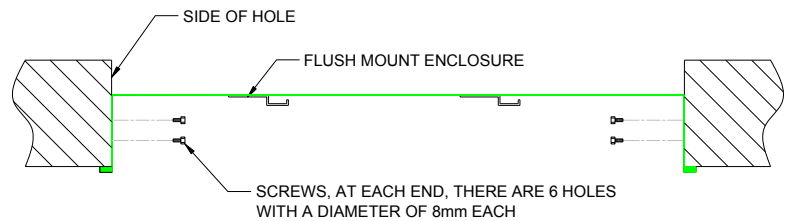
Avant d'installer l'enceinte encastrée, assurez-vous que l'emplacement de montage est entièrement prêt avec le trou percé à la bonne dimension et les points de montage bien fixés.

MODEL	"D" DISTANCE FROM END TO BRACKET (mm)
THE1800	175
THE2400	225
THE3600	300

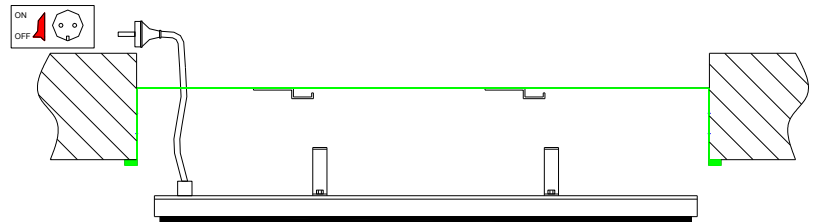


ÉTAPE 1 : Fixez les supports à l'arrière du radiateur. Les dimensions pour l'espacement des supports figurent dans le tableau.

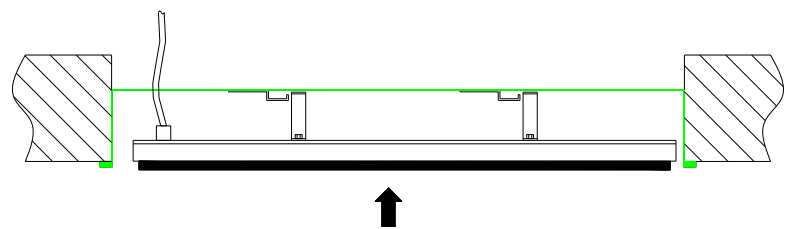
ÉTAPE 2 : Vissez l'enceinte encastrée dans les liteaux. Remarque : les vis ne sont pas fournies.



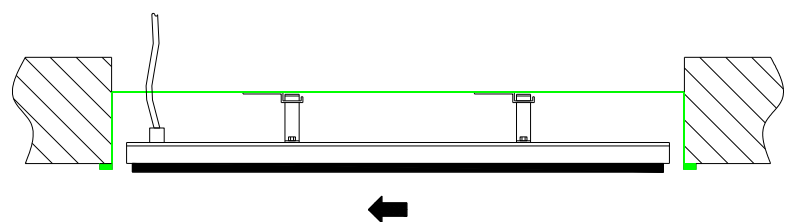
ÉTAPE 3 : S'il n'y a pas d'accès au toit, connectez le radiateur à la source d'alimentation et vérifiez que l'alimentation est désactivée.



ÉTAPE 4 : Levez le radiateur dans l'enceinte encastrée en s'assurant que les supports sont sur les côtés des montures.



ÉTAPE 5 : Poussez le radiateur vers la gauche en s'assurant que les supports s'engagent dans les montures. Ensuite il baissera. Secouez le radiateur pour vous assurer qu'il est bien fixé.

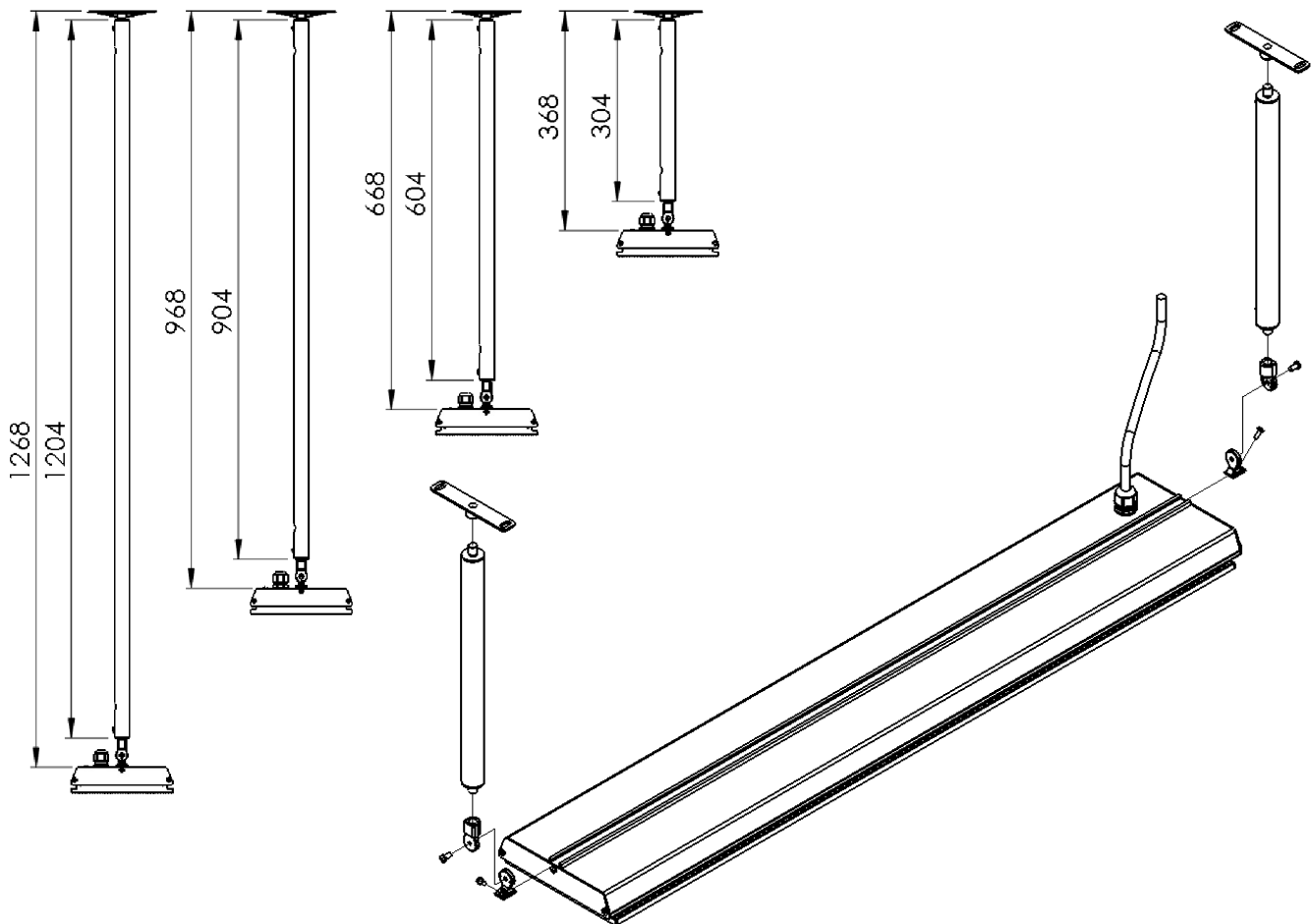




Extension du support de fixation

L'extension permet d'abaisser les unités HEATSTRIP Elegance grâce à des raccords rigides lorsque le plafond est trop haut. Les supports peuvent être utilisés avec des tubes de 25 mm x 25 mm x 1 mm (SHS) et sont fournis sous forme de kit complet comprenant les supports, les tiges prédécoupées et les raccords nécessaires. Les options de longueur standard disponibles avec les kits sont de 300 mm, 600 mm, 900 mm et 1 200 mm.

Les kits comprennent tous les supports, tiges et vis nécessaires au raccordement des radiateurs, à l'exception des vis de fixation au plafond.



PART No	PACKAGED DIMENSIONS (mm)	WEIGHT (kg)	MATERIALS	NOTES
THEAC-043		0.21	6060 AL	Kit includes 2x300mm extension pole, screws and bracket adaptors
THEAC-044		0.38	6060 AL	Kit includes 2x600mm extension pole, screws and bracket adaptors
THEAC-045		0.55	6060 AL	Kit includes 2x900mm extension pole, screws and bracket adaptors
THEAC-046		0.71	6060 AL	Kit includes 2x1200mm extension pole, screws and bracket adaptors



Contrôleur mural TT-MTR avec commande à distance

Ce contrôleur a été conçu et fabriqué spécialement pour le radiateur HEATSTRIP. Très facile d'utilisation, il a été pensé pour permettre un fonctionnement plus économique du radiateur. Il contient un minuteur pour les opérations automatiques du radiateur.

La fonction minuteur propose quatre configurations. Elle peut enclencher le radiateur pendant 1 heure, 2 heures, 4 heures ou constamment. Le minuteur peut être opéré depuis l'endroit où il est installé ou via l'unité de contrôle à distance. Il dispose de fonctions préprogrammées pour 1 heure, 2 heures, 4 heures ou en continu, pour que le radiateur puisse fonctionner en continu.

La commande à distance a une portée de 10 mètres et doit se trouver dans le champ de vision du contrôleur mural.



Contrôler plusieurs unités

Il est possible d'utiliser un contrôleur mural pour contrôler plusieurs radiateurs jusqu'à une charge maximale de 16 Amps. Le contrôleur mural est certifié 16 Amps et 220-240 volts. Pour un appel de courant supérieur, il est recommandé de parler avec un électricien qui peut utiliser un relais pour connecter des unités supplémentaires.

Montage

Le TT-MTR convient aux boîtiers muraux européens standard. Il peut également être monté facilement dans un mur en plâtre. L'électricien peut installer l'appareil.

Le contrôleur doit être installé conformément aux directives locales sur le câblage.

Opération

Appuyez sur le bouton « ON/OFF » pour allumer ou éteindre l'appareil.

Appuyez sur le bouton « TIMER » pour régler le minuteur en mode 1, 2, 4 heure(s). Le témoin lumineux du minuteur indique le réglage sélectionné. Le minuteur déclenche le radiateur et l'arrête automatiquement à l'heure préprogrammée.

Sécurité

Le contrôleur TT-MTR doit être installé dans un endroit sec. L'unité ne doit pas être installée dans un endroit où elle pourrait être endommagée par de la pluie ou de l'eau.

Vérifier que les connexions sont correctement réalisées.

Cet appareil n'est pas destiné à être utilisé par des personnes (y compris des enfants) aux capacités physiques, sensorielles ou intellectuelles limitées ou ne disposant pas d'une expérience ou de connaissances suffisantes, sauf si elles sont placées sous surveillance ou si elles ont été formées à l'utilisation de l'appareil par une personne responsable de leur sécurité. Les enfants doivent être maintenus sous surveillance et ne doivent pas jouer avec l'appareil.

Entretien

Le contrôleur TT-MTR est fabriqué à base de matériaux durables. Un entretien régulier du contrôleur permettra de prolonger la durée de vie du produit.

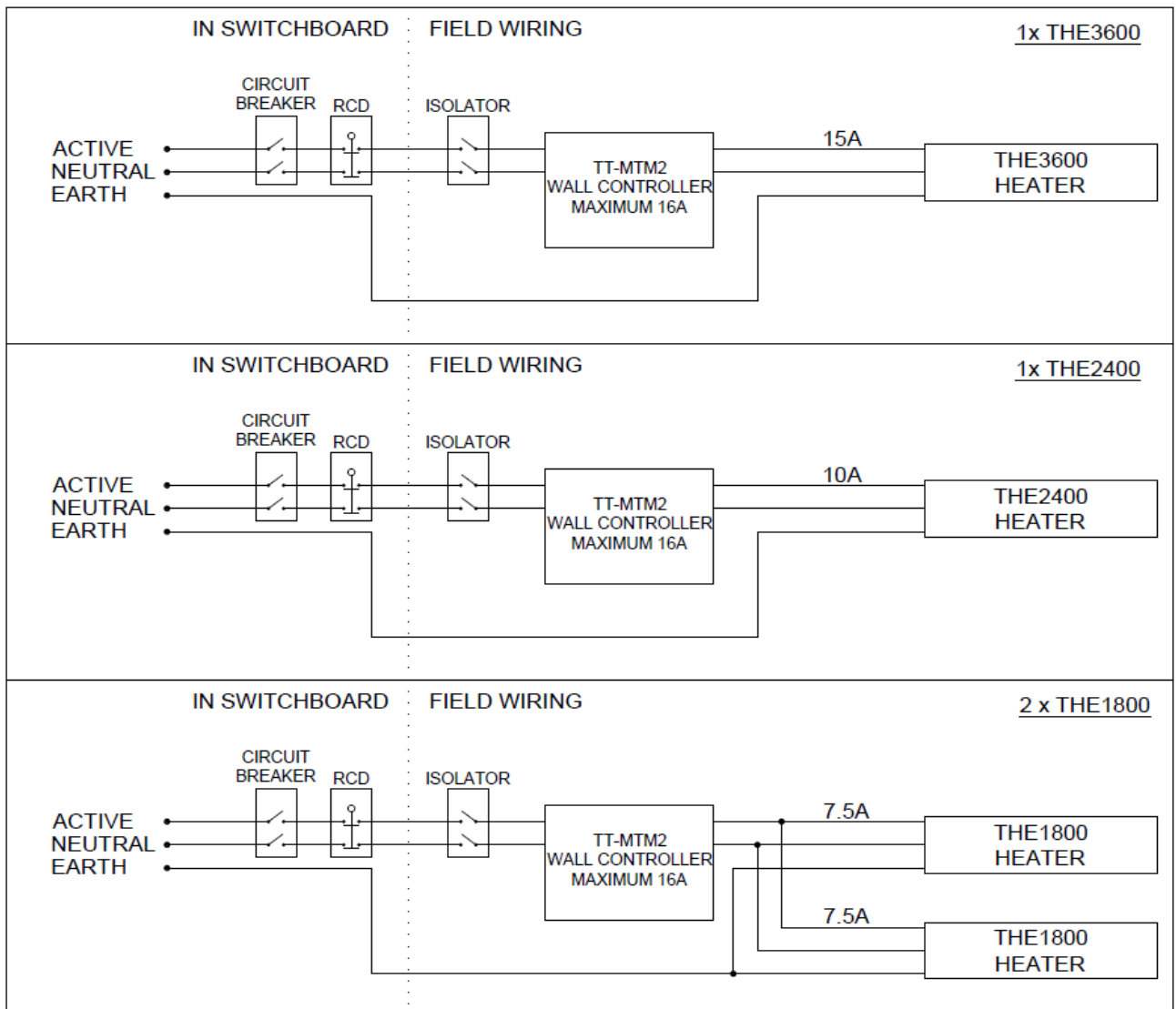
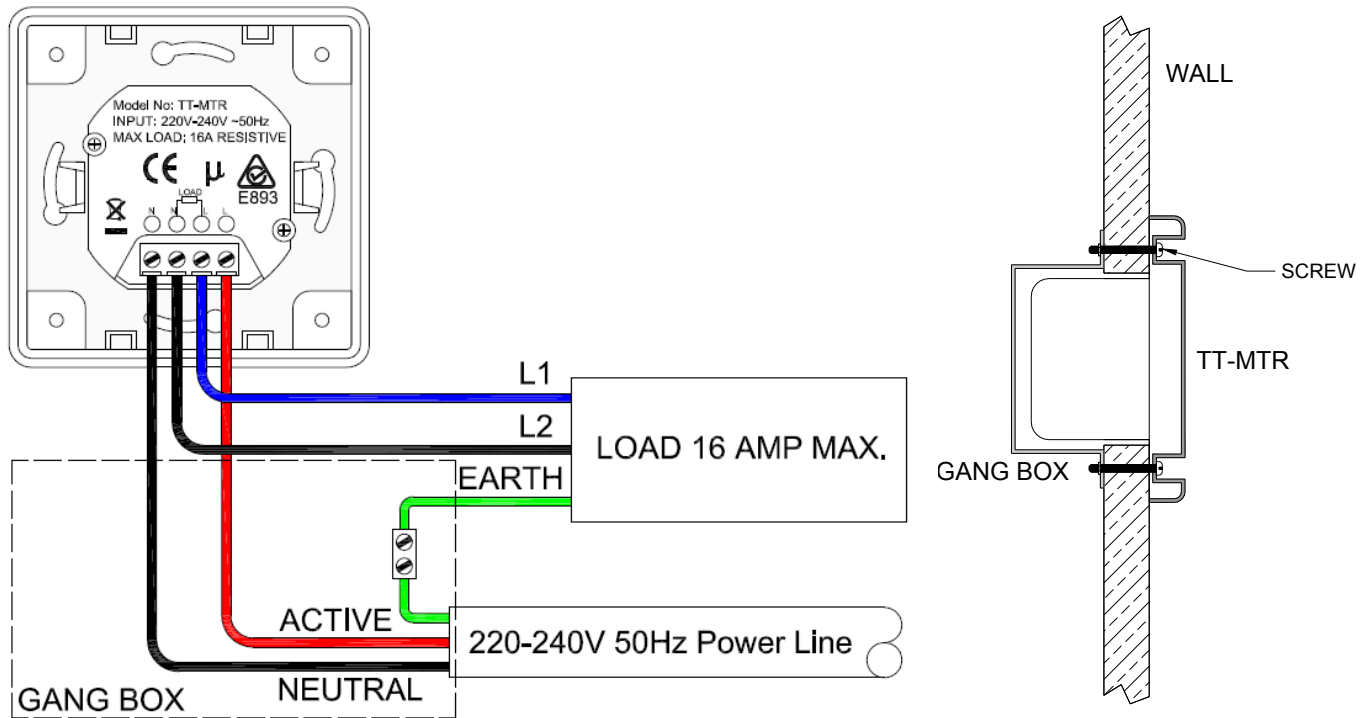
Il est recommandé de dépoussiérer le contrôleur pour que la surface reste propre. Nettoyer l'unité au moins tous les trois mois pour limiter l'accumulation de saletés et garder un aspect propre à l'appareil.

Ne pas utiliser de matériaux ou de produits abrasifs (solvants, produits à base d'agrumes ou autres produits corrosifs) pour nettoyer le contrôleur. Ne pas utiliser d'eau ou de chiffon humide pour nettoyer le contrôleur.

MODEL	MAXIMUM VOLTAGE (Volts)	MAXIMUM AMPÈRES (Amps)	DIMENSIONS EMBALLÈES (mm)	POIDS (kg)
TT-MTR	220—240	16	80 x 80 x 42	0.5



Installation Contrôleur Mural





Sécurité

HEATSTRIP Elegance possède un indice IP de 55. Cela signifie qu'il est protégé contre les projections d'eau de toute direction. L'unité HEATSTRIP peut donc être nettoyée au jet d'eau en toute sécurité. HEATSTRIP a subi de nombreux tests, que ce soit en laboratoire, à l'usine de production de Thermofilm à Melbourne et sur le terrain en Australie, Europe et ailleurs. Grâce à ces nombreux tests, l'acheteur est certain de bénéficier d'un produit de haute qualité.

Des tests de laboratoire indépendants ont confirmé que toutes les normes australiennes et internationales exigées, sont respectées CE, AS/ANZ, UL/CSE.

Le radiateur existe en version prise (1800w et câblée 2400w). Dans les deux cas, le câblage fixe doit être installé par un électricien agréé, conformément aux règles applicables.

HEATSTRIP est un équipement de catégorie 1 qui doit être mis à la terre.

Le radiateur devient rapidement TRÈS CHAUD – ne jamais toucher une quelconque partie de l'appareil lorsqu'il fonctionne et dans un délai de 30 minutes après sa mise hors tension.

Cet appareil n'est pas destiné à être utilisé par des personnes (y compris des enfants aux capacités physiques, sensorielles ou intellectuelles limitées ou ne disposant pas d'une expérience ou de connaissances suffisantes, sauf si elles sont placées sous surveillance ou si elles ont été formées à l'utilisation de l'appareil par une personne responsable de leur sécurité. Les enfants doivent être maintenus sous surveillance et ne doivent pas jouer avec l'appareil.

Ne laisser aucun câble, pièce de mobilier, matériau inflammable ou autre entrer en contact avec une quelconque des surfaces du radiateur.

Si le radiateur est installé dans une salle de bains, les interrupteurs ou les commandes de l'appareil doivent être installés de manière à être inaccessibles depuis la baignoire ou la douche.

Le radiateur doit être installé conformément aux instructions, en tenant tout particulièrement compte des distances minimum à respecter.

Le radiateur doit être installé sur un support ou une fixation rigide.

Le radiateur ne doit pas être installé juste en dessous ou devant une prise électrique.

Si le radiateur tombe en panne ou que le câble d'alimentation est endommagé, l'appareil doit être retourné au point d'achat en vue de son renvoi à Cook & Heat B.V. pour réparation.

Entretien

Le HEATSTRIP Elegance est fabriqué à base de matériaux durables. Un entretien régulier permettra de prolonger sa durée de vie.

Il est recommandé de nettoyer le radiateur à grande eau, d'essuyer délicatement les surfaces avec un chiffon imbibé de détergent doux afin d'éliminer les saletés accumulées, puis de rincer le détergent. Les produits chimiques présents dans l'atmosphère (fumée de cigarette, pollution, etc.) risquent de ternir la surface du radiateur. Un nettoyage et un entretien plus fréquents peuvent alors s'avérer nécessaires. Nettoyer l'unité au moins tous les trois mois pour limiter l'accumulation de saletés et garder un aspect propre à l'appareil. Si le radiateur est installé dans un environnement corrosif (sel, etc.), il est recommandé de pulvériser chaque semaine le radiateur à l'eau douce pour le nettoyer. Après toute opération de nettoyage, faire fonctionner le radiateur pendant 20 minutes pour éviter les traces d'eau. Avant toute activité de nettoyage ou d'inspection, éteindre le radiateur et le laisser refroidir complètement. Ne pas utiliser de matériaux ou de produits abrasifs (solvants, produits à base d'agrumes ou autres produits corrosifs) pour nettoyer le radiateur.

Toujours manipuler le radiateur avec des mains ou des gants propres car la graisse et la saleté peuvent tacher la surface de l'appareil. Ne pas utiliser de nettoyeur haute pression pour nettoyer le radiateur.



Garantie

Cook & Heat B.V. garantit à l'acheteur que les produits HEATSTRIP Elegance seront exempts de défauts de pièces et main-d'œuvre pendant une durée de 4 années à compter de la date d'achat, conformément aux conditions de garantie ci-dessous.

La validité de cette garantie est soumise aux conditions suivantes :

- Le produit HEATSTRIP doit être installé conformément aux instructions d'installation et aux normes et codes électriques concernés.
- Le produit HEATSTRIP doit être entretenu et nettoyé conformément aux instructions figurant dans le manuel d'installation.
- Il n'existe aucune garantie expresse ou implicite relative aux spécifications de capacité. Le choix de l'unité ou des unités dépend entièrement de la conception du système telle qu'elle est définie par l'acheteur.
- Le client n'a pas réparé, ouvert ou modifié le produit d'une quelconque manière non autorisée.
- Cette garantie exclut tout dommage au produit ou aux composants résultant de circonstances indépendantes de la volonté de Cook & Heat B.V. , y compris, sans toutefois y être limité : utilisation du produit non conforme à l'usage prévu, modification apportée au produit, installation incorrecte, alimentation électrique incorrecte, dommages pendant la livraison, usage impropre, utilisation abusive, vandalisme, entretien insuffisant ou accident.
- Les obligations de Cook & Heat B.V. au titre de cette garantie se limitent à la réparation ou au remplacement des composants du produit dont Cook & Heat B.V. estime qu'ils sont défectueux.
- Les frais de port associés au retour du produit à Cook & Heat B.V. (ou dans autre lieu autorisé par écrit par Cook & Heat B.V.) sont à la charge du client.
- Tous les produits sont inspectés et testés avant leur expédition. Lorsque la livraison n'est pas assurée par Cook & Heat B.V., les produits passent sous la responsabilité de l'acheteur dès leur départ de l'usine de Cook & Heat B.V.
- Une certaine décoloration de la surface de l'appareil peut se produire au bout d'un certain temps ; cette décoloration n'est pas incluse dans la garantie.
- Les radiateurs sont susceptibles de se tordre ou de se plier ; ces détériorations ne sont pas incluses dans la garantie.
- Aucun produit ou composant ne sera fourni tant que le produit ou les composants défectueux n'auront pas été examinés par Cook & Heat B.V. ou par un représentant agréé de Cook & Heat B.V.
- Cook & Heat B.V. ne prend pas en charge les coûts ou les frais de main-d'œuvre associés au remplacement de pièces, à la réparation, au démontage, à l'installation, à l'entretien, au transport ou à la manipulation de pièces destinées à compléter les produits, et n'assume aucune responsabilité quant aux pièces réparées ou remplacées sans autorisation écrite. Cook & Heat B.V. ne peut être tenu pour responsable d'une quelconque défaillance ou d'un quelconque retard dans l'exécution de ses obligations au titre de la garantie si cette défaillance ou ce retard résulte de circonstances indépendantes de sa volonté, y compris, sans toutefois y être limité, restrictions judiciaires gouvernementales, grèves, incendies, inondations, conditions météorologiques anormales ou retard de livraison de composants.

Si les produits arrivent endommagés, avertir immédiatement la société de transport de l'état des produits et lui demander de mentionner le problème sur les documents de fret. Si les dommages sont découverts après le déballage du produit, demander immédiatement à la société de transport de venir inspecter les produits et insister pour que les dommages figurent sur les documents de fret.

Le client déclare utiliser le produit dans le respect :

- des instructions qui pourront lui être fournies par Cook & Heat B.V.
- de toutes les réglementations gouvernementales et locales, y compris, sans toutefois y être limité, toutes les lois et réglementations électriques et environnementales régissant l'installation, le stockage, l'utilisation, la manipulation et l'entretien des biens.
- de toutes les précautions et mesures de sécurité nécessaires et appropriées relatives à l'installation, au stockage, à l'utilisation, à la manipulation et à l'entretien des biens.

Distribué par:

Cook & Heat B.V.

www.heatstrip.eu

Produit par:

Thermofilm Australia Pty Ltd

17 Johnston Court

Dandenong South,

Victoria, 3175 Australia

HEATSTRIP®



LEADING HEATING TECHNOLOGY

INSTALLATIONS-, BEDIENUNGS- UND WARTUNGSANLEITUNG



HEATSTRIP Elegance - EUROPE

Durch sein Design ist dieser Heizstrahler extra hot!





CONTENTS

Das Produkt _____	68
Technische Angaben _____	70
Prinzip der Punktheizung _____	71
Strahlungsbereich _____	72
Leitfaden für die Produktwahl _____	73
Tischanordnung must be added _____	74
Anforderungen bei der Installation _____	75
Befestigungsort _____	76
Möglichkeiten zur Befestigung _____	77
Standardmäßige Montagebügel _____	78
Einbaugehäuse _____	79
Einbaugehäuse Abmessungen _____	80
Einbaugehäuse – Einbauabstände _____	81
Einbauanweisungen _____	82
Verlängerung Montagebügel _____	83
Regler für Wandeinbau mit Fernbedienung _____	84
Installation Regler für Wandeinbau _____	85
Sicherheit und Instandhaltung _____	86
Garantie _____	87



Das Produkt

Darum sollten Sie sich für Ihre Außenbereiche oder schwer zu beheizende Innenbereiche für einen der elektrischen Heatstrip-Heizstrahler entscheiden.

Durch die häufig vorliegende ständige Luftbewegung im Freien oder in ungeschützten Innenräumen arbeiten viele herkömmliche Terrassenheizgeräte mit einer Konvektionsheizung, durch die die Umgebungsluft erwärmt wird. Das kann an diesen Stellen jedoch ziemlich unpraktisch sein, weil diese erwärmte Luft durch die natürliche Luftbewegung weggeweht wird. Heizstrahler dagegen übertragen die Wärme durch Infrarotstrahlung direkt auf Objekte. Während Konvektionsheizgeräte die Luft zwischen Gegenständen aufheizen, erwärmen Heizstrahler die Oberfläche der Gegenstände selbst. Die elektrischen HEATSTRIP-Heizstrahler wirken in Außen- oder nicht isolierten Innenbereichen effektiver, weil sie die Wärme direkt auf die Personen und Gegenstände in ihrem Wirkungsbereich abstrahlen.

Unauffällige, stilvolle Heizung für überdachte Außen- und offene Innenbereiche

Durch die Nutzung dieses Heizprinzips sorgt der HEATSTRIP für zweckmäßige und stromsparende Wärme bei überdachten Außen- und offenen Innenbereichen. HEATSTRIP hat schon in vielen Aufenthaltsbereichen von Restaurants, Gaststätten und Clubs gewährleistet, dass die Plätze im Freien zu jeder Jahreszeit rund um die Uhr genutzt werden konnten. HEATSTRIP schafft angenehme Wärme in den jeweiligen Raucher- oder Sitzbereichen, sorgt aber auch für wohlige Temperaturen in Fabriken, Werkstätten und Ausstellungsräumen. In Ihrem Heim kreiert HEATSTRIP ein einladendes Ambiente beim Essen und Grillen im Freien, auf Innenhöfen, Terrassen und Balkonen.

Raffiniertes, minimalistisches Design

Die stilvolle, superflache Weiße Vorderseite des HEATSTRIP leuchtet oder glüht nicht während des Betriebs und harmonisiert geschmackvoll mit Ihrer Einrichtung. Decken-, Wand- und Schirmmontage gewährleisten, dass wertvolle Boden- und Tischfläche nicht verschwendet wird.

Die Produktpalette von Heatstrip umfasst 4 unterschiedliche Produkte, die jeweils eine bestimmte Temperaturleistung bieten, sodass sie für unterschiedliche Einsatzbereiche ideal sind. Nachstehend findet sich eine Liste der am häufigsten vorkommenden Anwendungsbereiche, sodass Sie leichter das für Sie geeignete Modell auswählen können. Dabei handelt es sich nur um allgemeine Angaben; dem Produkthandbuch, das jedem Produkt beiliegt, können Sie weitere Informationen entnehmen.

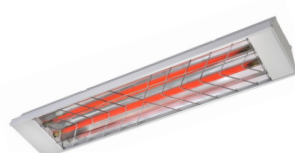
HEATSTRIP Max (THX-Modelle) ist ein Heizstrahler für besonders hohe Temperaturen, der für nicht verdeckte und offene Bereiche verwendet wird. Die Befestigungshöhe liegt zwischen 2,4 und 3,5 m.

HEATSTRIP Design (THH-Modelle) ist ein hochwertiger Heizstrahler für höhere Temperaturbereiche, der meistens in Außenbereichen mit 1, 2, 3 oder 4 geschlossenen Seiten eingesetzt wird. Die ideale Befestigungshöhe liegt zwischen 2,1 und 2,7 m.

HEATSTRIP Indoor (THS-Modelle) ist ein Heizstrahler mit mittlerer Leistung, der für geschützte Innenbereiche verwendet wird.

HEATSTRIP Elegance (THE models) ist eine hochwertige Hochtemperaturheizung und wird vor allem für Außenräume eingesetzt, in denen es 1, 2, 3 oder 4 geschlossene Seiten mit einer Montagehöhe von 2,1 m bis 2,7 m gibt.

ANWENDUNGSBEREICH	THX	THH	THE	THS
Geschützte Innenbereiche, Klassenzimmer, Büroräume, Badezimmer, Nasszellen und Trockenräume		√	√	√
Überdachte Außenbereiche bei Cafés, Terrassen, Innenhöfen und Balkonen mit einer Deckenhöhe von max. 3 m		√	√	
Überdachte Außenbereiche bei Cafés, Terrassen, Innenhöfen und Balkonen mit einer Deckenhöhe ab 3 m	√			
Dem Wind besonders stark ausgesetzte Außenbereiche	√			
Offene Innenbereiche, Lager, Fabriken, Produktionsbereiche und Sportstätten	√	√	√	√
Punktheizung über Tischen und Montagebereichen	√	√	√	





Effiziente, kostengünstige elektrische Heizung

Das innovative Design des HEATSTRIP sorgt für eine angenehme und gleichmäßige Wärmeverteilung von der Oberfläche aus, und das bei minimalen Betriebskosten.

Flexibilität beim Design

Es sind Modelle vier HEATSTRIP Elegance erhältlich, um den Wärmeanforderungen jedes Außen- oder offenen Innenbereichs optimal zu entsprechen. Bügel für eine direkte Decken- oder Wand-/Deckenbefestigung sind standardmäßig im Lieferumfang enthalten. Das als Option erhältliche HEATSTRIP-Zubehör umfasst Bügel für die Balkenmontage oder feste Bügel für die Schirmmontage, Verlängerungsbügel für die Anbringung, Winkel für die Kettenaufhängung, Duo-Befestigungsbügel und Einbaugehäuse.

Minimaler Wartungsaufwand

Der HEATSTRIP umfasst keine internen beweglichen Teile, sodass ein geräuscharmer und nahezu wartungsfreier Betrieb gewährleistet ist.

Australisches Qualitätsprodukt

Der in Australien konzipierte, gefertigte und montierte.

Der attraktive HEATSTRIP ist serienmäßig mit einer cremefarbenen Front und einem eloxierten Metallboden ausgestattet.

Benutzerfreundlich

Das Standardmodell des HEATSTRIP wird anhand einer einfachen Ein-/Aus-Schaltung bedient; entweder durch den direkten Anschluss an eine Steckdose oder über einen Ein-/ Aus-Schalter, der an der Wand angebracht wird. Es dauert ca. 5 Minuten, bis das Gerät die Maximaltemperatur erreicht hat, und ungefähr 30 Minuten, bis es abgekühlt ist; dies hängt von der Umgebungstemperatur ab. Bitte nicht vergessen, das Gerät abzuschalten!





Technische Spezifikationen

MODELL	POWER (WATTS)	STROM (AMPS)	MASSE (mm)	GEWICHT (Kg)	BLEI LÄNGE (mm)	STECKER	STROMSPAN NUNG (VOLTS)
THE1800EU	1800	7.5	974x 170 x 48.5	4	1000	YES	230
THE2400EU	2400	10	1204 x 170 x 48.5	7	1000	YES	230
THE3600EU	3600	15	1804 x 170 x 48.5	9	1000	NO	230
THE1800UK	1800	7.5	974x 170 x 48.5	4	1000	YES	240
THE2400UK	2400	10	1204 x 170 x 48.5	7	1000	YES	240
THE3600UK	3600	15	1804 x 170 x 48.5	9	1000	NO	240

HEIZGERÄT TYP

Leistungsstarker elektrischer Heizstrahler mit großflächiger profilierter Metalllegierung.

AUSGANGSLEISTUNG

Siehe obenstehende Übersicht zu den Modellen

STROM

230-240 Volt Nennleistung bei 50—60 Hertz, einphasig

ANSCHLUSS

3-adriges Kabel 2,5mm²

ZULASSUNGEN

AUSTRALIEN/CE

BEFESTIGUNGSHÖHE

MINDESTENS 2.1 m
 EMPFOHLEN 2.3 m to 2.7 m
 HÖCHSTENS 3.0 m (bei höheren Decken können die Geräte mit den als Option erhältlichen Bügelsets niedriger angebracht werden; Alternative: die Produktreihe Heatstrip Max)

BEFESTIGUNG

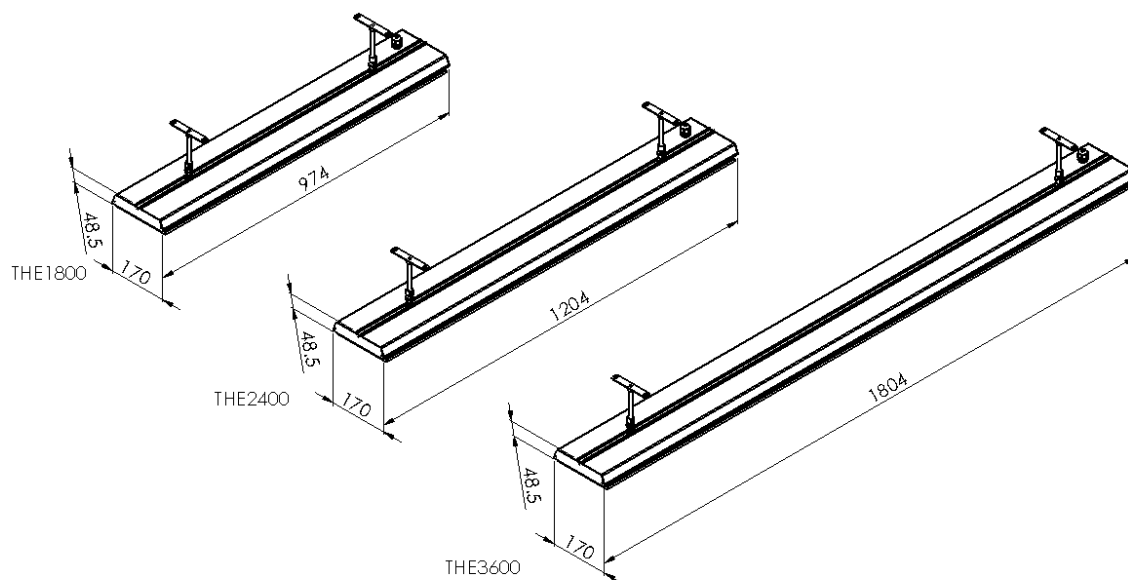
Geeignet für die Montage an Decken, Wänden, Balken, Schirmen und für Unterputzmontage. Ebenfalls geeignet für eine erweiterte Wandbefestigung mit festen Befestigungsstangen und Kettenhalterungen.

SCHUTZKLASSE

IP55 Schutz vor Wassereindringung an allen Seiten

HERSTELLUNGSLAND

Australien



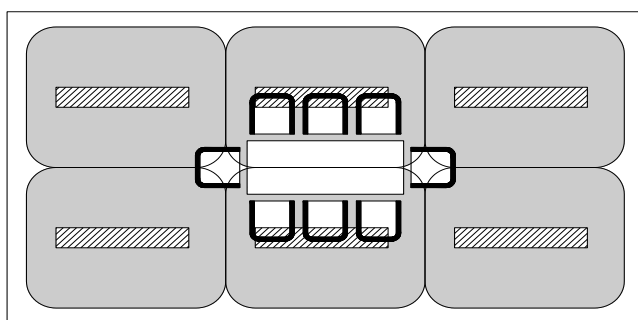


Prinzip der Punktheizung

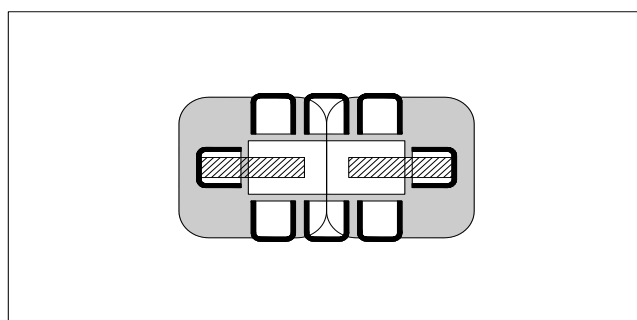
In den meisten Außen- oder schwer zu beheizenden Innenbereichen bieten sich meistens 2 Möglichkeiten, wenn Heizgeräte in Bezug auf Größe und Anzahl ausgewählt werden müssen. Die erste Möglichkeit besteht daraus, den gesamten Bereich auf der Grundlage der Gesamtfläche zu beheizen, ungeachtet der Frage, ob die Fläche gerade auch überall genutzt wird. Bei der zweiten Möglichkeit werden die am stärksten genutzten Bereiche per Punktheizung erwärmt; dies sind Tische im Freien, Grillstellen, Lounges, Fertigungsstraßen oder Arbeitsplätze innen, denn für diese Bereiche empfiehlt sich zumeist eine solche Punktheizung. Eine Punktheizung sorgt dafür, dass weniger Kosten für die erste Anschaffung anfallen, und garantiert zudem niedrigere Betriebskosten. Durch eine Punktheizung kann der Bereich in Zonen eingeteilt werden, sodass nur die Bereiche beheizt werden, die auch genutzt werden, wie Tische in einem Restaurant oder ein Sitzbereich im Freien.

Die obere Abbildung zeigt einen Vergleich zwischen einer Punktheizung über einem Tisch und der Beheizung einer gesamten Fläche.

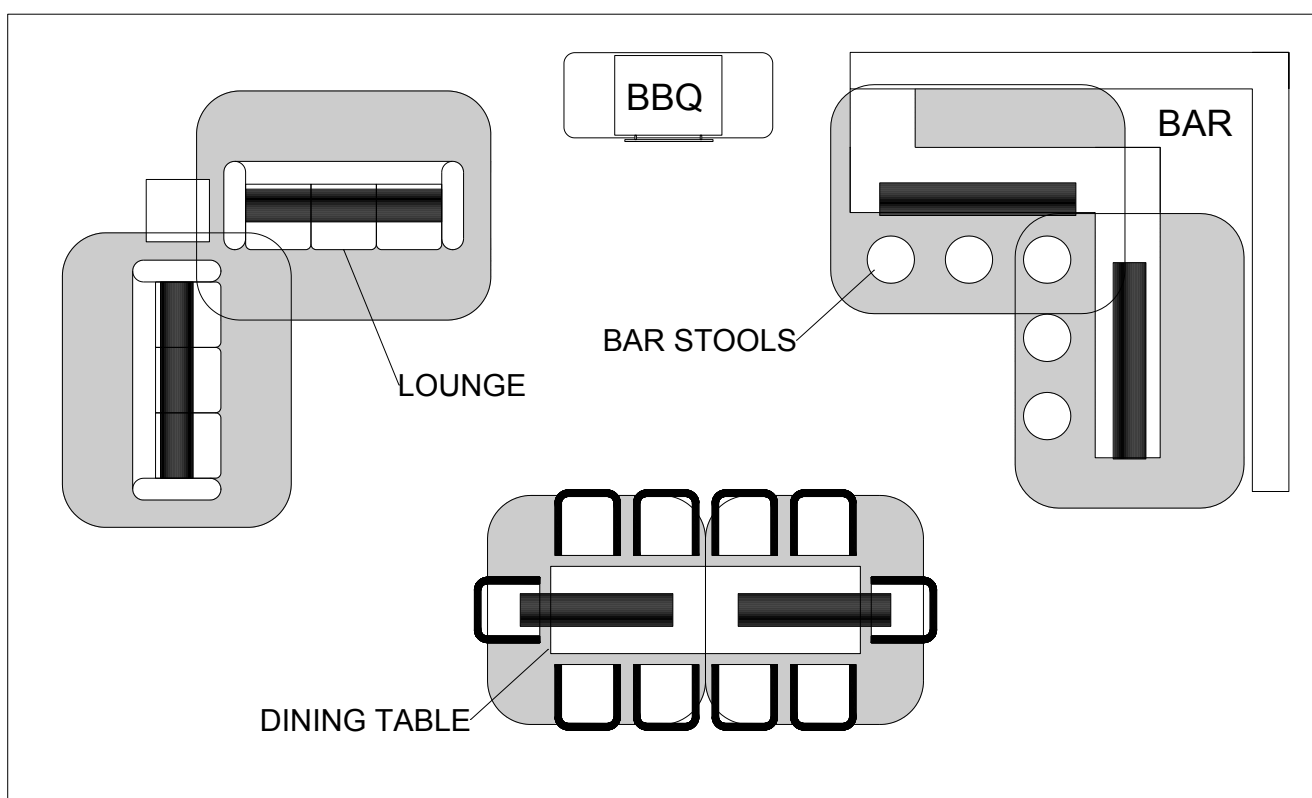
Die untere Abbildung zeigt die Flexibilität bei der Verwendung des HEATSTRIP, wenn es darum geht, eine angenehme Umgebung zu schaffen, selbst unter ungünstigeren Umgebungsbedingungen.



6 x THE2400AEU



2 x THE2400AEU





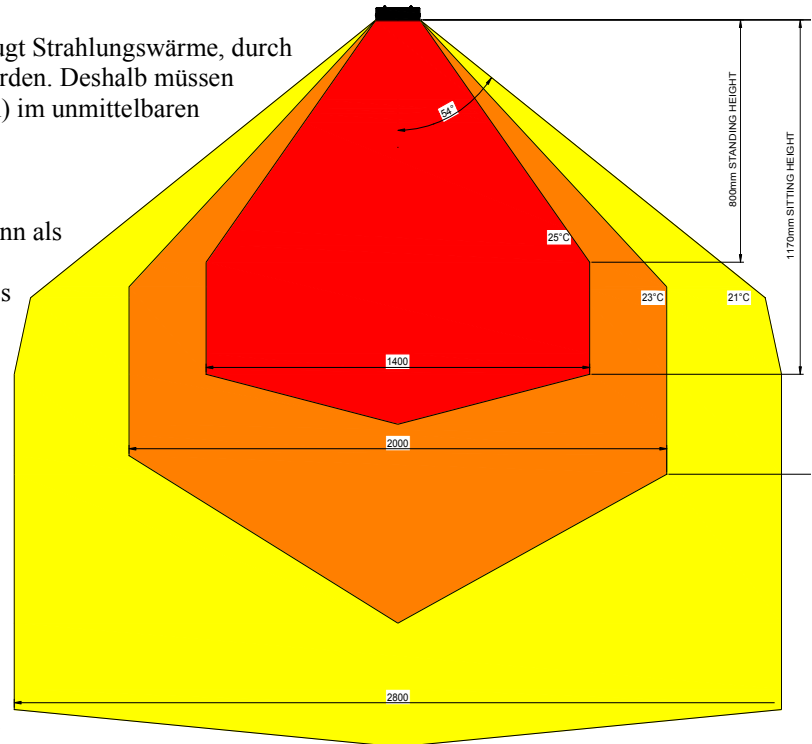
Strahlungsbereich

Der elektrische Heizstrahler HEATSTRIP erzeugt Strahlungswärme, durch die Gegenstände und nicht die Luft erwärmt werden. Deshalb müssen sich die jeweiligen Gegenstände (d. h. Personen) im unmittelbaren Strahlungsbereich des Heizstrahlers befinden.

Auf der Grafik wird der Strahlungsbereich des HEATSTRIP Elegance gezeigt; diese Grafik kann als Richtschnur bei einem völlig eingefassten Außenbereich dienen. Hier wird dargestellt, dass sich die maximale Hitze direkt unter dem Heizstrahler befindet und die Temperatur in zunehmender Entfernung zum Heizgerät abnimmt.

Außerdem zeigt sich, wie wichtig die empfohlene Befestigungshöhe ist, und dass der Heizstrahler - wenn möglich - direkt über der zu heizenden Fläche angebracht werden sollte.

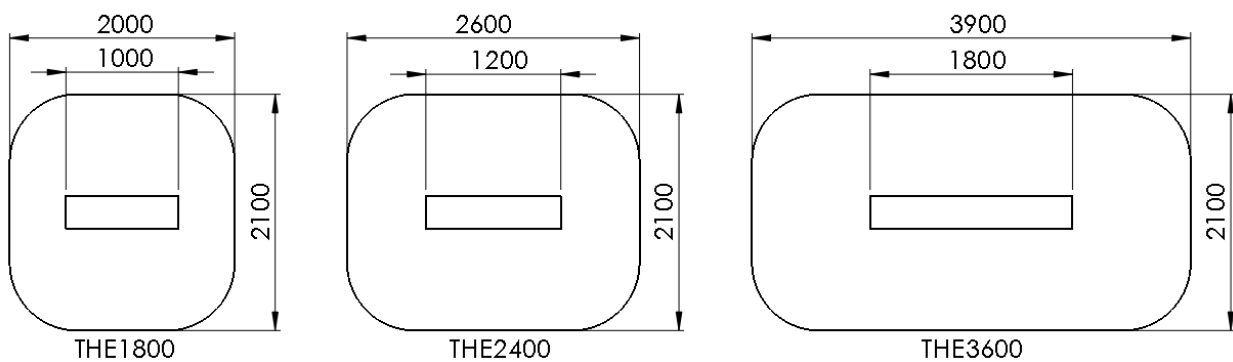
Außerdem ist die Temperatur (d. h. die Oberflächentemperatur) ungeachtet der Wattleistung bei beiden Modellen gleich. Es gilt jedoch, dass, je größer und länger das Gerät ist, desto größer der Strahlungsbereich wird.



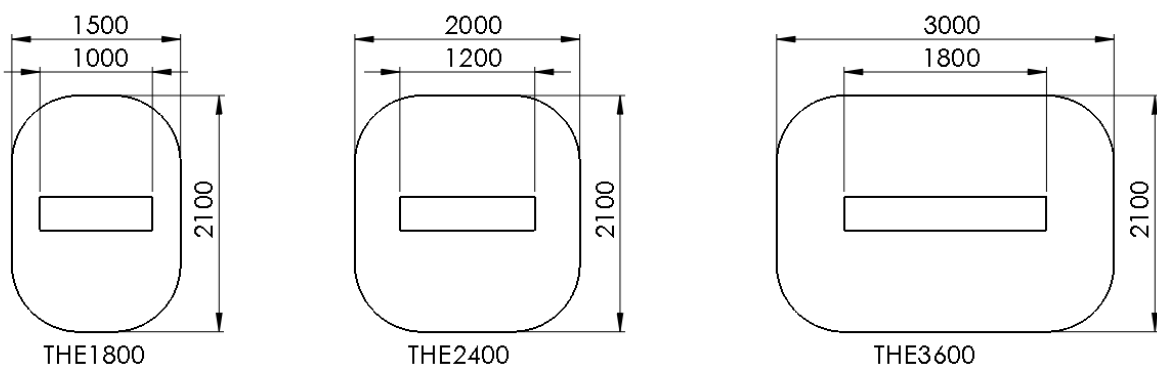
Die nachfolgenden Diagramme zeigen den ungefähren Strahlungsbereich für jedes Modell, sowohl bei Innenbereichen als auch bei eingefassten Außenbereichen, mit direkter Überkopf-Montage.

Der Strahlungsbereich verringert sich bei Anwendungen mit geneigter Wandmontage.

HEATED AREA INDOOR SPOT HEATING



HEATED AREA OUTDOOR ENCLOSED HEATING





Leitfaden für die Produktwahl

Vor der Wahl des genauen Modells und der benötigten Anzahl für Ihren jeweiligen Verwendungszweck sollten Sie darauf achten, dass die richtige Serie der Heatstrip-Heizstrahler verwendet wird.

Nachstehend findet sich eine Übersicht zu den einzelnen Möglichkeiten der Heatstrip-Geräte:

HEATSTRIP Design / Elegance (THH / THE-Modelle) ist ein hochwertiger Heizstrahler für höhere Temperaturbereiche, der meistens in Außenbereichen mit 1, 2, 3 oder 4 geschlossenen Seiten eingesetzt wird. Die ideale Befestigungshöhe liegt zwischen 2,1 und 2,7 m. Das Gerät eignet sich ideal für Innenbereiche oder feuchte Umgebungen, wenn ein Gerät der Klasse IP55 benötigt wird.

HEATSTRIP Max (THX-Modelle) ist ein Heizstrahler für besonders hohe Temperaturen, der für nicht verdeckte und offene Bereiche verwendet wird. Die Befestigungshöhe liegt zwischen 2,4 und 3,5 m. Ebenfalls für schwierige Innenbereiche wie Ausstellungsräume, Fertigungsstraßen, Lager usw.

HEATSTRIP Indoor (THS-Modelle) ist ein Heizstrahler mit mittlerer Leistung, der für geschützte Innenbereiche wie Verandas, Klassenzimmer, Hallen, Sportsäle usw. verwendet wird.

Allgemeine Empfehlungen für **HEATSTRIP Elegance**:

Ideale Befestigungshöhe: 2,1m bis 2,7m. Die Obergrenze ist 3m in einer geschützten Umgebung im Freien.

- Ideale Befestigungsstelle: Deckenbefestigung, direkt über dem zu beheizenden Bereich (z. B. über einem Tisch)
- Auf der Grundlage des auf der vorherigen Seite gezeigten Strahlungsbereichs wird für einen geschützten Außenbereich eine Mindestleistung von 500W/qm benötigt. Für eine Punktheizung innen wird eine minimale Heizleistung von 400W/qm empfohlen.

In der nachfolgenden Tabelle wird die Wärmeabstrahlung jedes HEATSTRIP-Modells (in qm) mit direkter Überkopf-Montage aufgezeigt, und zwar auf der Grundlage von 3 verschiedenen Situationen. In einem Außenbereich zum Beispiel, der durch Wände, Café-Abschirmungen usw. gegen Wind geschützt ist, reicht das Modell THE1800EU für 3 qm und das Modell THE2400EU für 4,8 qm.

Bei Anwendungen mit geneigter Wandbefestigung kann die Wärmeabstrahlung um bis zu 40 % reduziert werden. Die maximale Wärmeabstrahlung von der Wand beträgt 2 m.

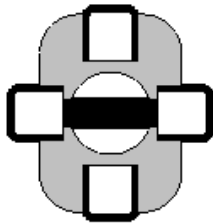
MODELL	INNENGESCHÜTZT (m ²)	AUSSENGESCHLOSSEN(m ²)	AUSGESTELLT (m ²)
THE 1800	4.5	3.6	3
THE 2400	6	4.8	4
THE 3600	9	7.2	6



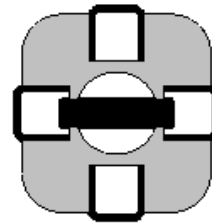
Tischanordnung

Für die Mehrzahl der Außenbereiche ist es am effektivsten, einen Tisch oder einen ähnlichen Bereich punktuell zu beheizen. Die nachfolgenden Abbildungen bieten eine einfache Auswahlhilfe für das ungefähre Modell und die Anzahl der Heizstrahler, die erforderlich sind, um gängige Tischanordnungen in Wohnungen zu beheizen.

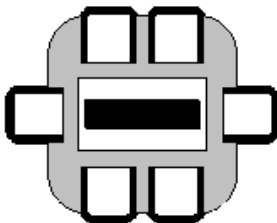
Die Auswahl basiert auf dem HEATSTRIP-Modell, das in einer Höhe von 2,4 m montiert wird und einem überdachten, vollständig eingefassten Außenbereich.



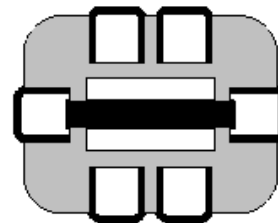
THE1800



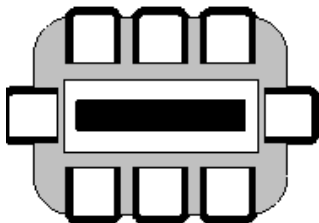
THE2400



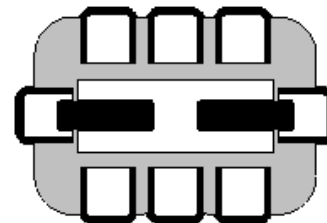
THE2400



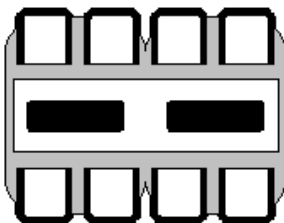
THE3600



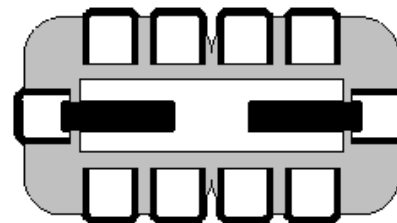
THE3600



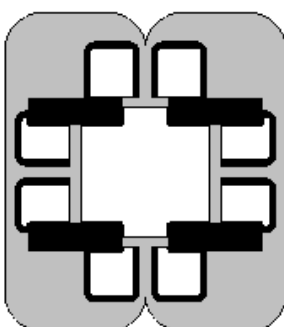
2 x THE1800



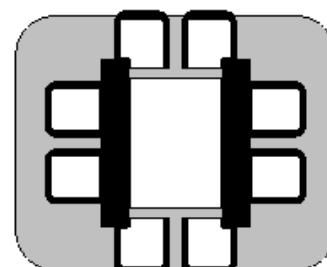
2 x THE1800



2 x THE2400



4 x THE1800



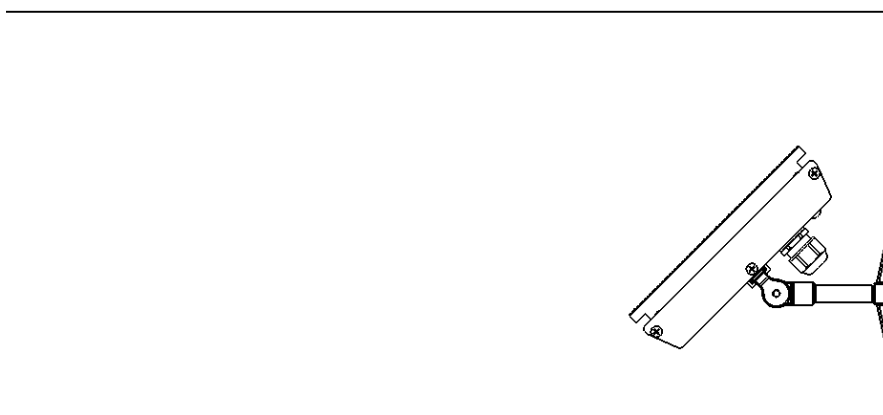
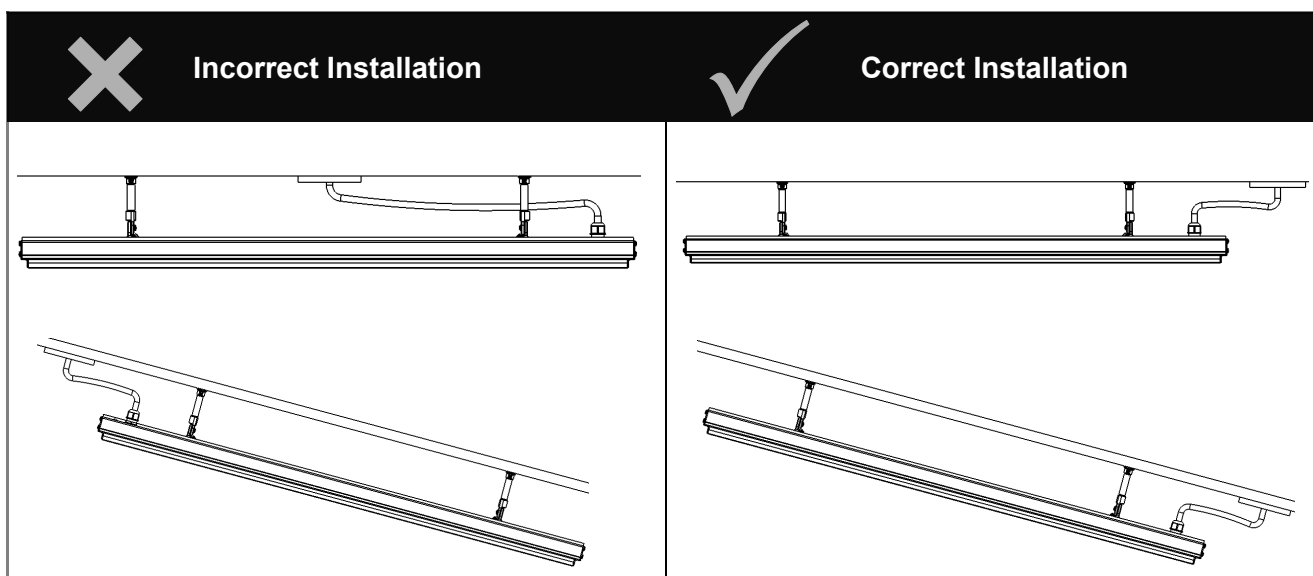
2 x THE3600



Anforderungen bei der Installation

Die ideale Anbringungsposition des HEATSTRIP Elegance ist an der Decke direkt über dem zu erwärmenden Bereich. Sollte dies nicht möglich sein, kann der HEATSTRIP Elegance an einer Wand in einem abwärts geneigten Winkel angebracht werden. In einer solchen Situation ist darauf zu achten, dass die Befestigungshöhe zwischen 2,4 und 3,0m liegt und der Tisch nicht weiter als 3,0m von der Wand entfernt ist.

Bei einer Anbringungshöhe über 3,5m wird empfohlen, das als Option erhältliche Zubehör zu verwenden, damit der Heizstrahler doch in einer Höhe zwischen 2,4 bis 3,5m hängt, sodass der HEATSTRIP einen optimalen Wirkungsgrad erbringt. Im Abschnitt Zubehör für die Befestigung finden sich weitere Informationen. Die elektrischen bzw. allgemeinen Stromanschlüsse dürfen sich nicht an der Rückseite des Heizstrahlers befinden. Sie sollten sich außerhalb des tatsächlichen Wirkungsbereichs eines Geräts befinden, damit sich möglichst wenig Hitze hinter den Geräten staut. Soll der Heizstrahler an einer geneigten Fläche montiert werden (z. B. gewölbte Decke), ist sicherzustellen, dass sich der elektrische Anschluss am tiefsten Punkt des Heizstrahlers befindet.

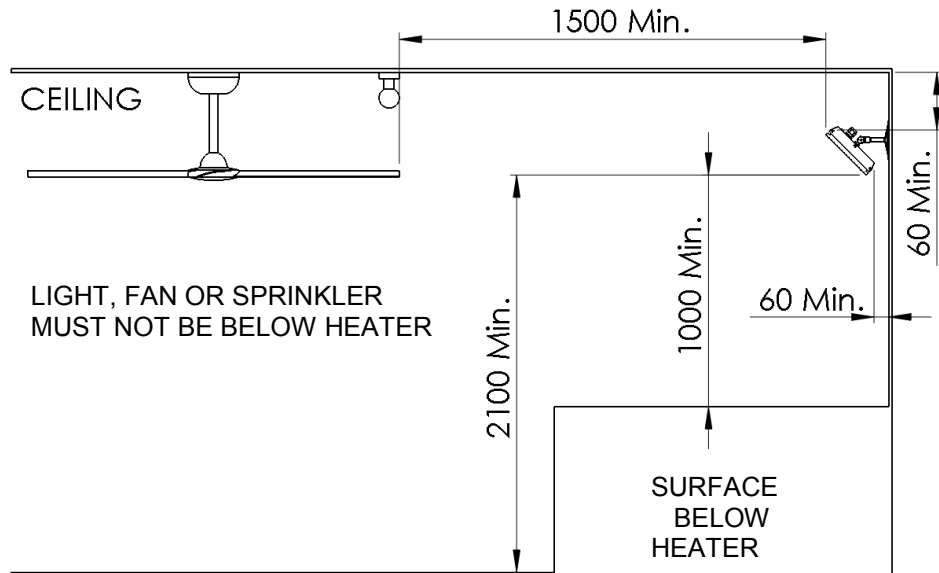


The heating surface must never be directed toward the ceiling

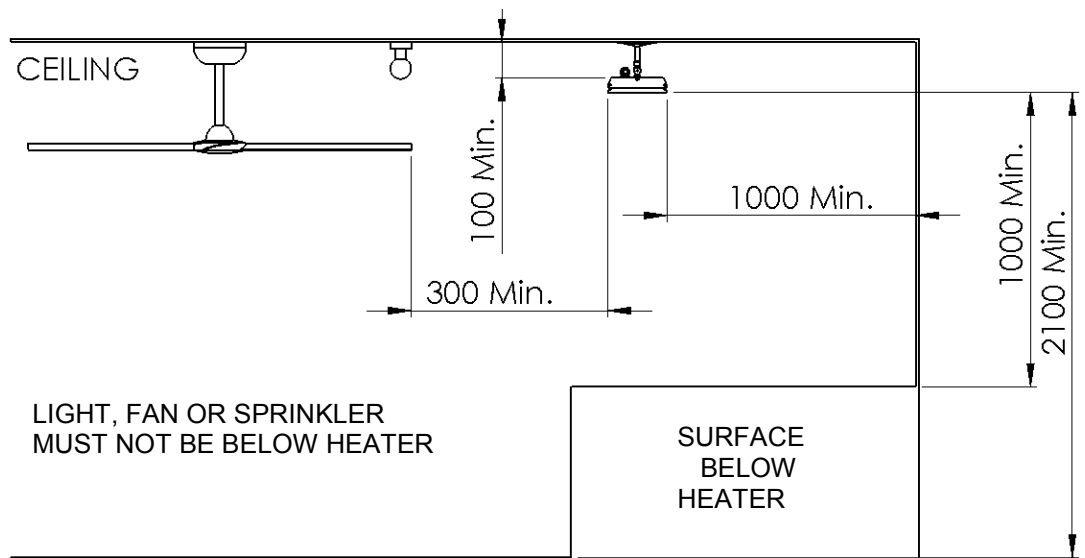


Befestigungsort — Auf den nachstehenden Abbildungen werden die jeweils empfohlenen Mindestabstände gezeigt.

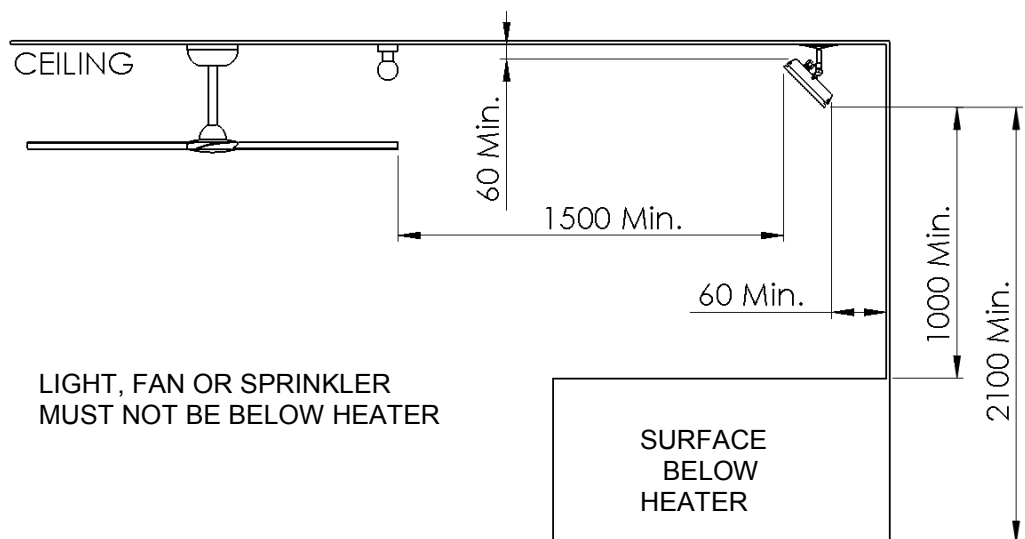
Angled Wall Installation



Ceiling Installation



Angled Ceiling Installation



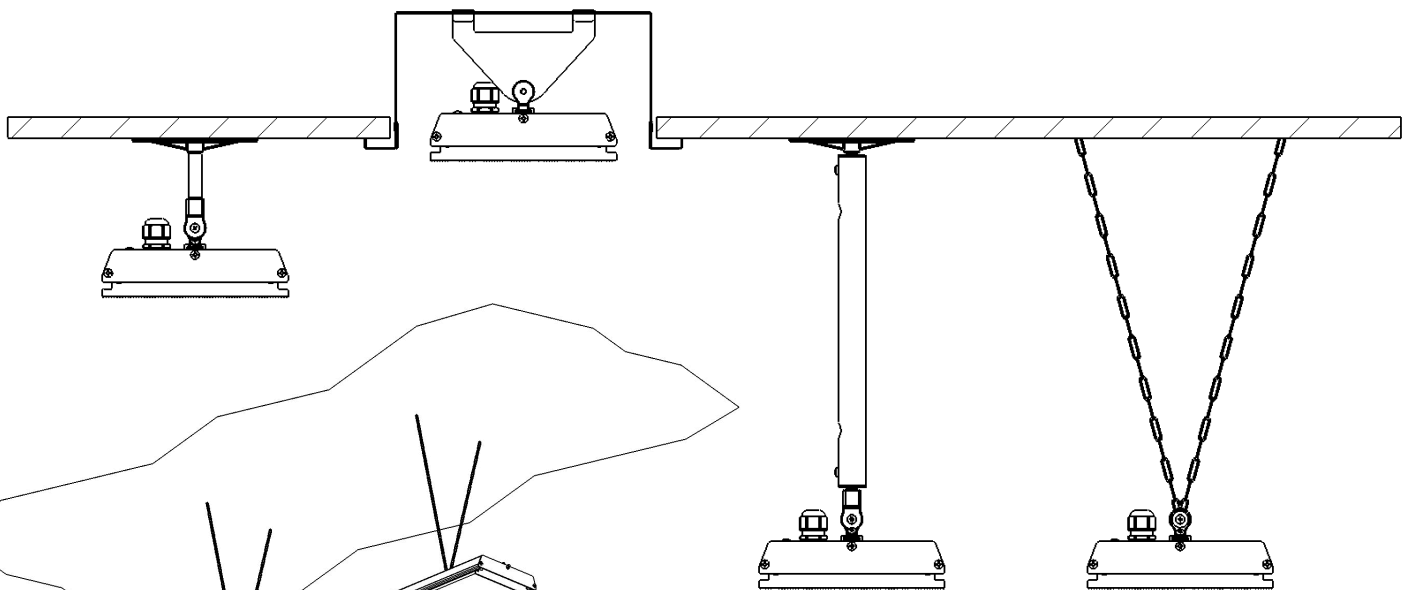


Möglichkeiten zur Befestigung

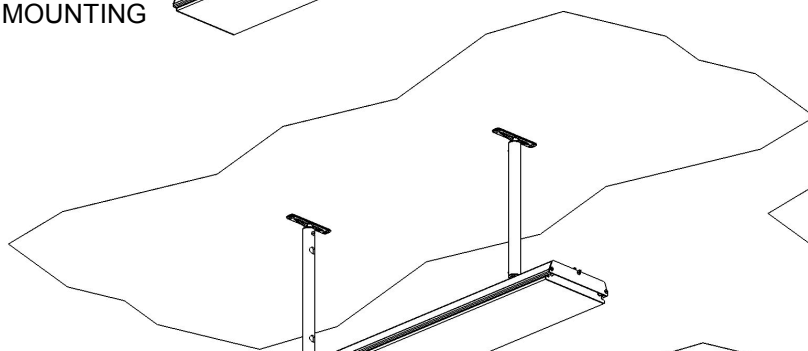
Mit den im Lieferumfang enthaltenen standardmäßigen Befestigungsbügeln verläuft die Anbringung des HEATSTRIP Elegance schnell und einfach. Für andere, nicht ganz optimale Stellen sind viele verschiedene Zubehörteile erhältlich (siehe bitte auch die nachstehenden Abbildungen).

Die HEATSTRIP Elegance-Modelle können direkt an der Decke oder nach unten abgewinkelt an einer Wand montiert werden, deckenbündig eingebaut werden; an Ketten aufgehängt oder Stangen befestigt werden; an Balken oder Stangen angebracht werden; aneinandergereiht oder in 2 Geräten zusammen montiert werden. Weitere Informationen und Details zu jeder Montagemöglichkeit sind den nachfolgenden Seiten zu entnehmen.

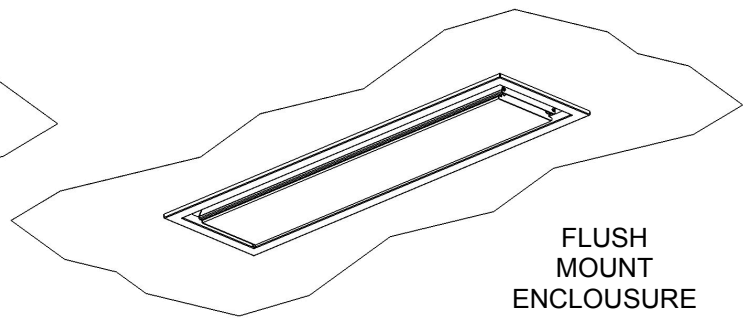
CEILING



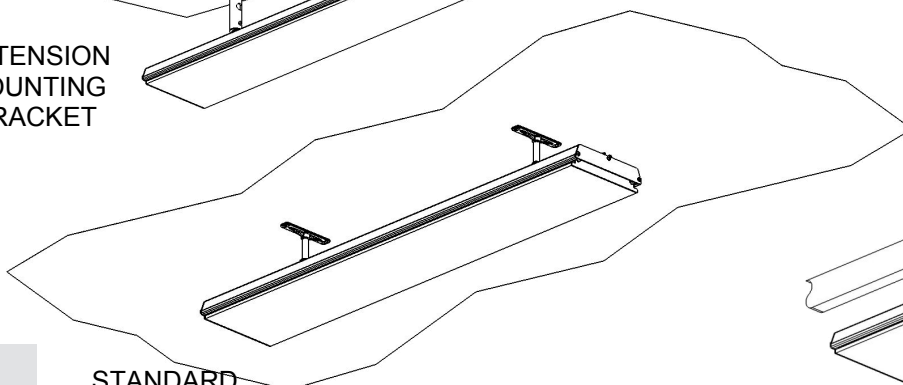
CHAIN / WIRE MOUNTING



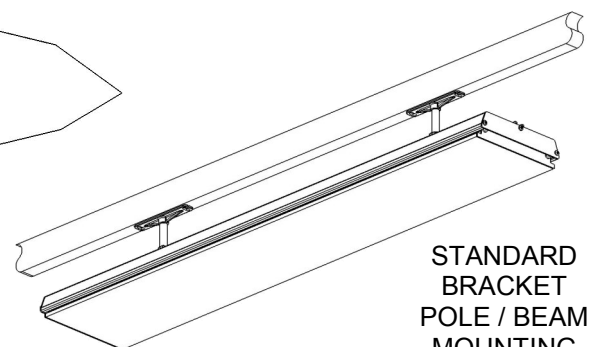
EXTENSION MOUNTING BRACKET



FLUSH MOUNT ENCLOSURE



STANDARD BRACKET CEILING

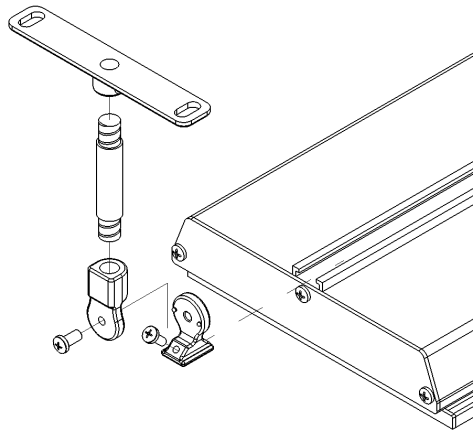
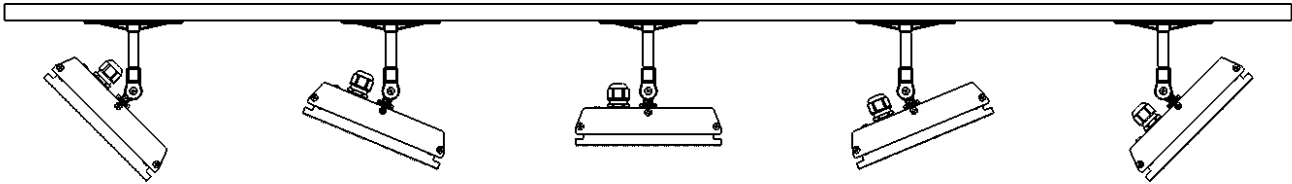


STANDARD BRACKET POLE / BEAM MOUNTING

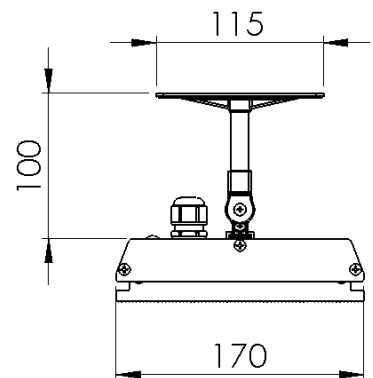
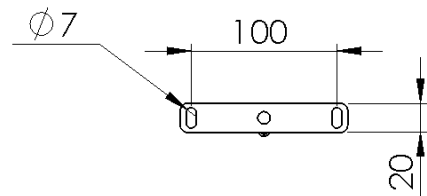
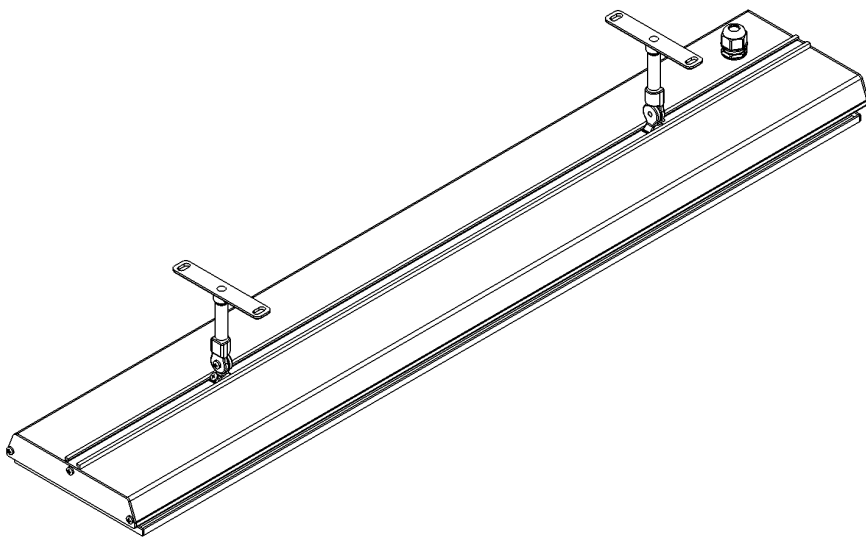
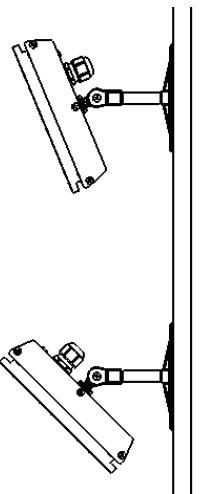


Standardmäßige Montagebügel

Im Lieferumfang des HEATSTRIP Elegance ist ein Paar Standard-Montagebügel enthalten. Diese einstellbaren Bügel ermöglichen die direkte Wand- oder Deckenmontage und werden mit vorab eingestellten Winkloptionen oder parallel geliefert (22,5° und 45°).



MODELL	"D" MINIMALER ABSTAND (mm)
THE1800	570
THE2400	700
THE3600	1000



PART No	VERPACKTE ABMESSUNGEN (mm)	GEWICHT(kg)	STOFF	FARBE
ZBRAK-110	125 x 150 x 40	0.2	ALLOY	OFF-WHITE



Einbaugehäuse

Das Einbaugehäuse ist die ideale Möglichkeit den HEATSTRIP sauber in einer Decke zu installieren. Es gibt sie für alle HEATSTRIP-Modelle und sie werden als einteilige Einheit zur Montage von Heizstrahlern geliefert. Unterputzmontage ist möglich bei Decken aus Gips oder Holz.

Eine ideale Befestigungshöhe beträgt 2,5 – 2,7 m, bei einer maximalen Deckenhöhe von 3,0 m in einem eingefassten Außenbereich. Die maximale Befestigungshöhe sollte genau eingehalten werden, anderenfalls kann sich die Leistung der Geräte verringern.

Weitere Informationen entnehmen Sie bitte dem Installationshandbuch.

Sicherheit

Lassen Sie keine Kabel, Einrichtungsgegenstände, brennbare Materialien oder andere Gegenstände in Kontakt mit der Oberfläche des Einbaugehäuses kommen.

Das Einbaugehäuse muss entsprechend den Anweisungen montiert werden. Achten Sie dabei besonders auf die Mindestabstände. Die Heizung muss auf eine feste Halterung oder Befestigung angebracht werden.

Wartung des Einbaugehäuses

Das Einbaugehäuse besteht aus langlebigen Materialien. Durch regelmäßige Pflege und Wartung Ihres Produktes wird die Lebensdauer verlängert.

Es wird empfohlen, die Oberflächen des Einbaugehäuses mit einem weichen Tuch mit mildem Reinigungsmittel abzuwischen, um Verunreinigungen aus der Umgebung zu entfernen. Wischen Sie danach nochmals mit einem sauberen Tuch darüber, um sicherzustellen, dass jegliches Reinigungsmittel entfernt ist.

Alle Chemikalien in der Atmosphäre einschließlich Zigarettenrauch, Umweltverschmutzung usw. werden die Oberfläche des Einbaugehäuses verschmutzen. In diesem Fall kann eine zusätzliche Reinigung und Wartung erforderlich sein. Durch das Reinigen mindestens alle drei Monate wird die Verschmutzung reduziert und die Oberfläche so sauber wie möglich gehalten. Wenn sich das Einbaugehäuse in einer korrosiven Umgebung befindet, z. B. Salznebel, empfehlen wir Ihnen, das Einbaugehäuse jede Woche zu reinigen.

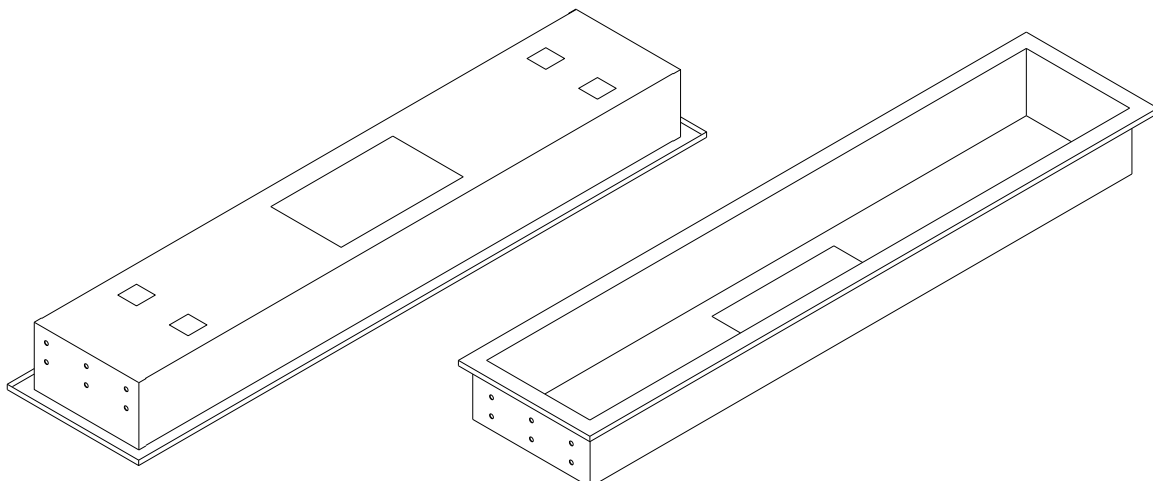
Vor dem Reinigen oder der Kontrolle muss die Heizung abgeschaltet werden und vollständig abgekühlt sein. Verwenden Sie keine abrasiven Materialien oder Produkte zur Reinigung des Einbaugehäuses, einschließlich Lösungsmittel, zitrusshaltiger Reinigungsmittel oder anderer aggressiver Reinigungsmittel.

Stellen Sie beim Umgang mit dem Einbaugehäuse sicher, dass Ihre Hände sauber sind oder dass Sie saubere Handschuhe tragen, da Fett oder Schmutz Spuren auf der Oberfläche der Heizung hinterlassen können.

Reinigen Sie das Einbaugehäuse nicht mit Hochdruckwasser. Spritzen Sie weder das Einbaugehäuse noch die Heizung mit Wasser ab, da Wasser in den Deckenhohlraum gelangen kann.

ANSICHT VON OBEN

ANSICHT VON UNTEN





Ebmessungen

Das Unterputz-Gehäuse ist eine ideale Möglichkeit, den HEATSTRIP ordentlich in eine Decke zu installieren. Sie sind für alle HEATSTRIP Elegance Modelle erhältlich und werden als einteiliges Gerät geliefert, das für die Montage einzelner Heizer geeignet ist. Die Unterputzmontage kann mit Putz- oder Holzauskleidungen verwendet werden.

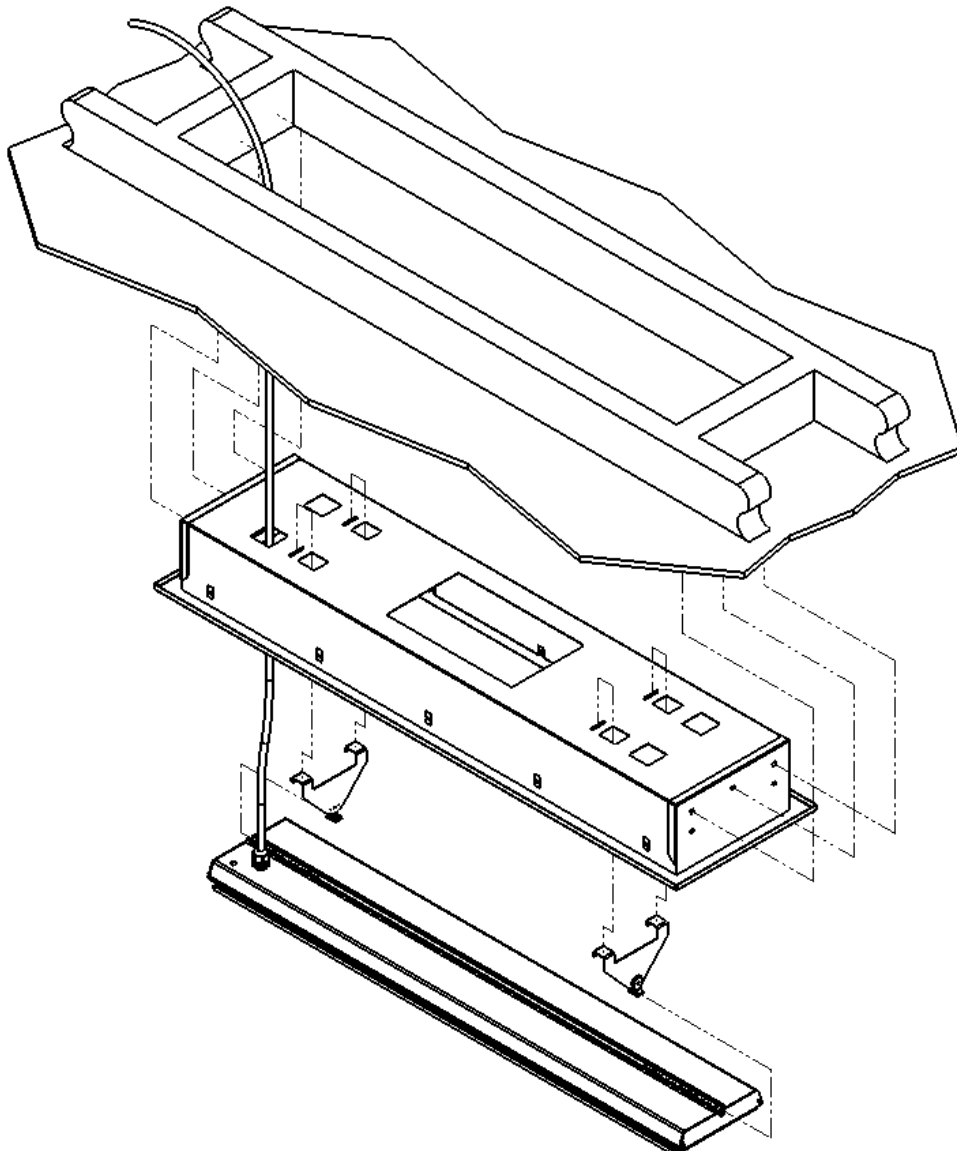
Eine ideale Montagehöhe beträgt 2,3m-2,5m, mit einer maximalen Deckenhöhe von 2,7m im Außenbereich. Maximale Montagehöhen sollten strikt eingehalten werden, da sonst die Leistung der Geräte reduziert werden kann.

Ein Mindestabstand von 50mm hinter dem Gehäuse ist vorzusehen.

Das Gehäuse ist aus pulverbeschichtetem Stahl gefertigt.

Detaillierte Installationshinweise entnehmen Sie bitte der Installationsanleitung des Einbau Einbaugeschäuses.

GEEIGNET FÜR MODELL	TEILNUMMER	HOCHSCHNITTMA SSE(mm)	GESAMTABMESS UNGEN(mm)	GEWICHT (kg)
THE 1800	THEAC-040	1030 x 240	1080 x 290 x 125	6
THE 2400	THEAC-041	1260 x 240	1310 x 290 x 125	8
THE 3600	THEAC-042	1860 x 240	1910 x 290 x 125	9

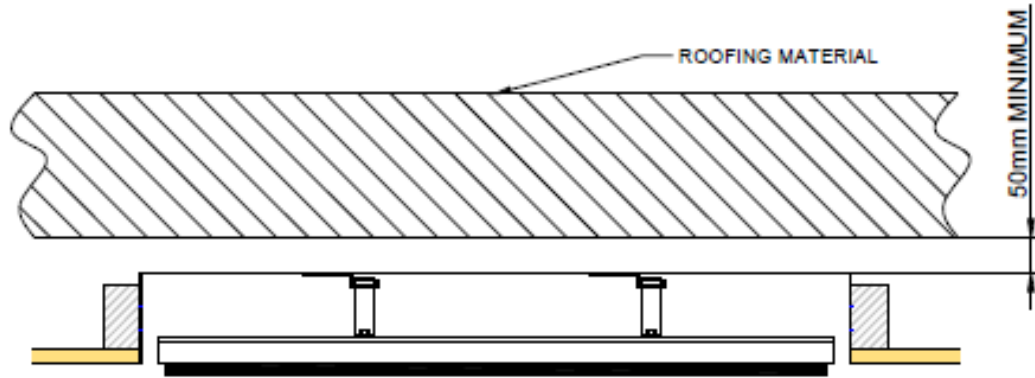




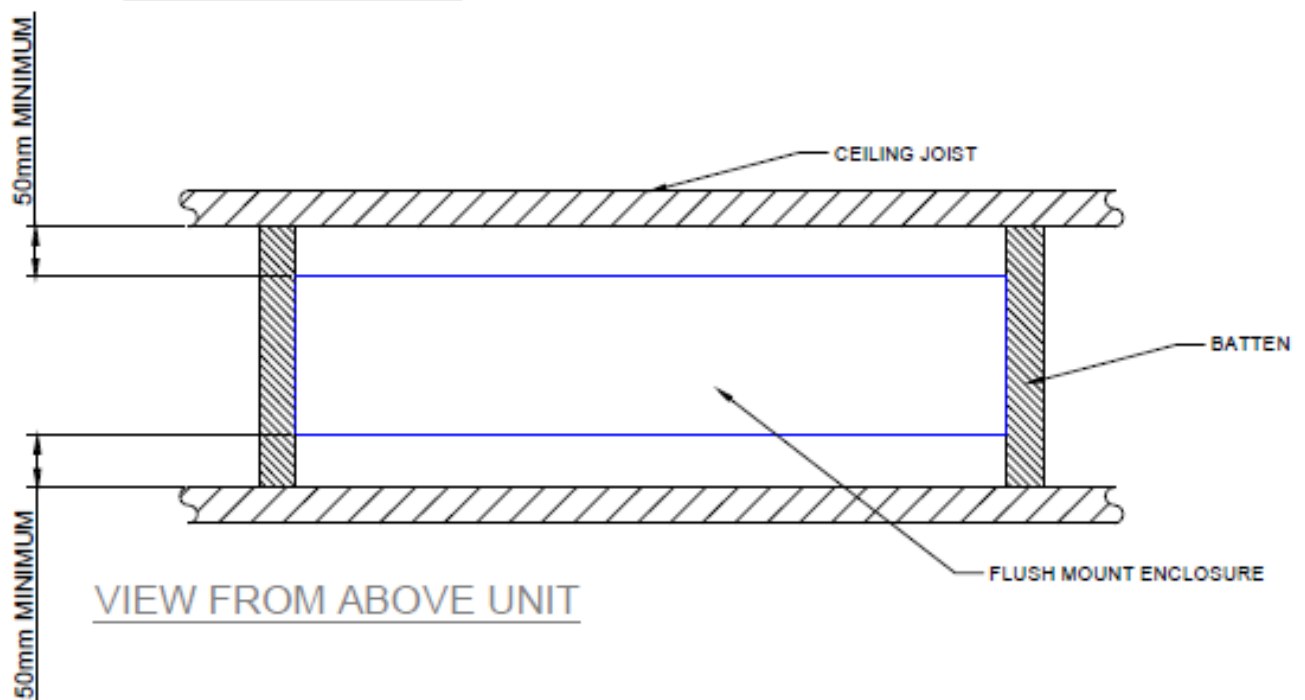
Einbaugehäuse - Einbauabstände

In den Darstellungen unten wird der Mindestabstand zur Montage des Einbaugehäuses gezeigt.

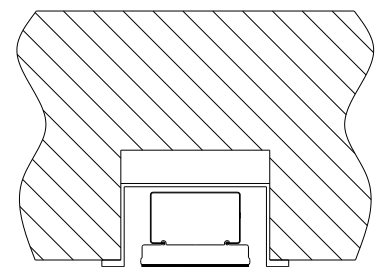
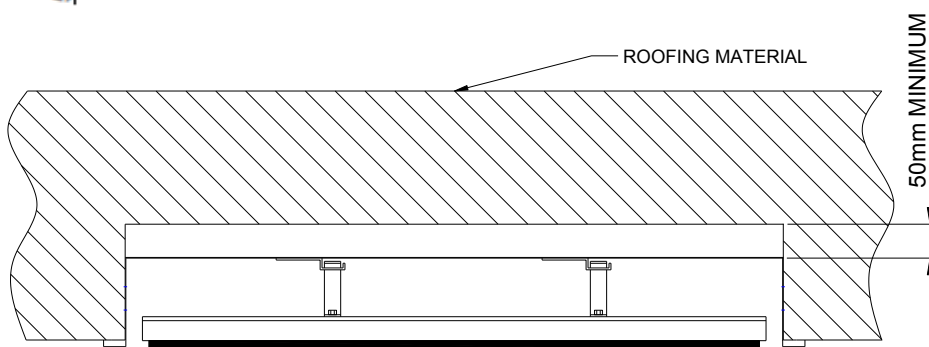
Es ist zwingend notwendig, dass alle Kabel, Trägermaterialien, Isolierungen und weitere Materialien von der Rückseite und den Seiten des Einbaugehäuses fern gehalten werden.



VIEW FROM SIDE



VIEW FROM ABOVE UNIT



CONCRETE CEILING



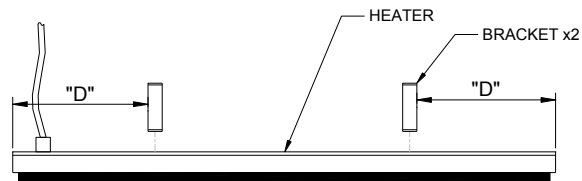
Einbauanweisungen

Stellen Sie sicher, dass alle Mindestabstandsanforderungen erfüllt werden und die verwendeten Materialien Ihren örtlichen Bauvorschriften entsprechen.

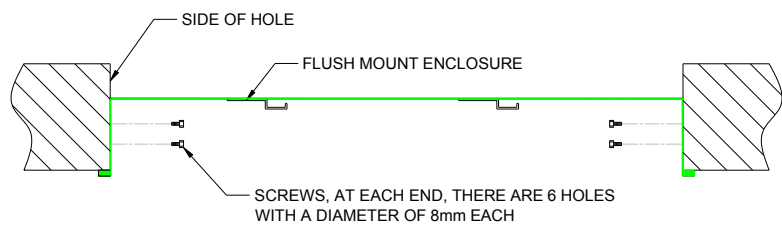
Stellen sie vor der Installation des Einbaugeschäuses sicher, dass die Baustelle entsprechend vorbereitet ist, das Loch auf die richtige Größe zugeschnitten ist und die Befestigungspunkte sicher befestigt sind.

MODELL	"D" ENTFERNUNG ZUM HALTER (mm)
THE1800	175
THE2400	225
THE3600	300

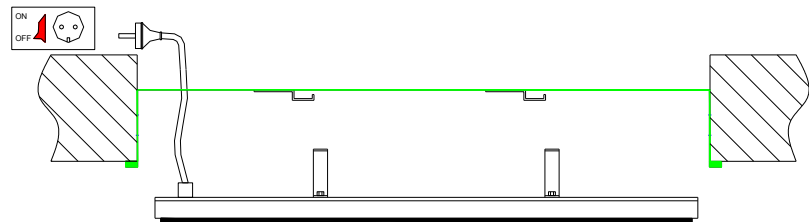
SCHRITT 1: Bringen Sie die Klammern an der Rückseite der Heizung an. Die Abmessungen für den Abstand der Klammern sind in der Tabelle aufgeführt.



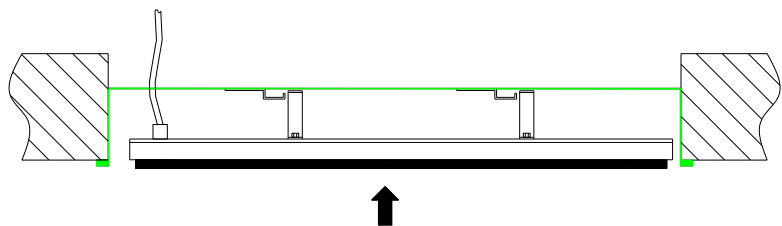
SCHRITT 2: Schrauben Sie das Einbaugeschäuse in die Leisten. **HINWEIS:** Die Schrauben sind nicht im Lieferumfang enthalten.



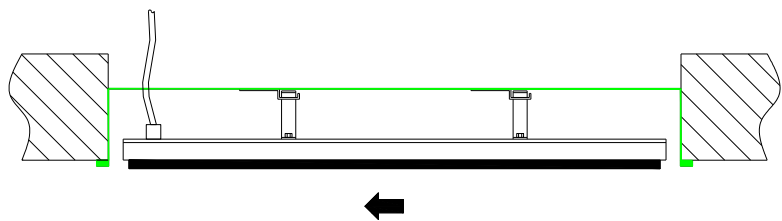
SCHRITT 3: Wenn kein Zugang zum Dach vorhanden ist, schließen Sie die Heizung an die Stromversorgung an und stellen Sie sicher, dass das Gerät ausgeschaltet ist.



SCHRITT 4: Heben Sie die Heizung in das Einbaugeschäuse und stellen Sie dabei sicher, dass sich die Klammern neben dem Gehäuse befinden.



SCHRITT 5: Drücken Sie die Heizung nach links und stellen Sie sicher, dass die Klammern in die Halterungen greifen. Sie rasten dann ein. Bewegen Sie die Heizung, um sicherzustellen, dass sie sicher befestigt ist.

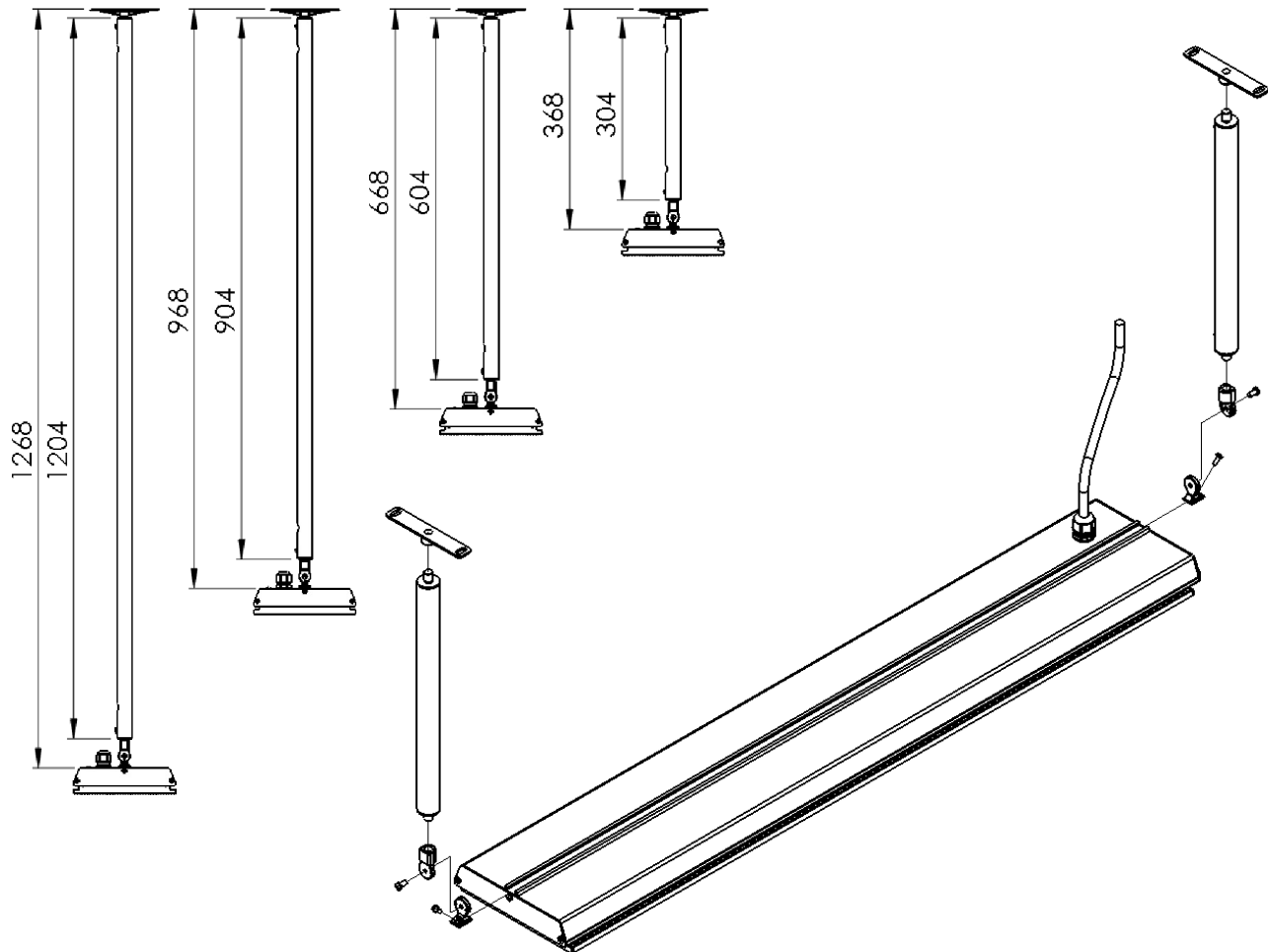




Verlängerung Montagebügel

Mit dem Verlängerungsteil für den Montagebügel kann der HEATSTRIP Elegance mit festen Verbindungen niedriger unter Decken angebracht werden. Die Bügel werden mit 25mm x 25mm x 1mm großen Stangen (SHS) geliefert, die als Komplettsatz mit Bügeln, nach Maß gesägten Stangen und Anschlüssen zur Verfügung stehen. Die Standardlängen bei dem Satz sind 300mm, 600mm, 900mm und 1200mm.

Diese Sets umfassen alle Bügel, Stangen und Schrauben, die für die Verbindung mit den Heizgeräten benötigt werden, enthalten aber keine Schrauben für die Deckenmontage.



TEILNUMMER	VERPACKTE ABMESSUNGEN (mm)	GEWICHT (kg)	MATERIALIEN	NOTIZEN
THEAC-043		0.21	6060 AL	Kit includes 2x300mm extension pole, screws and bracket adaptors
THEAC-044		0.38	6060 AL	Kit includes 2x600mm extension pole, screws and bracket adaptors
THEAC-045		0.55	6060 AL	Kit includes 2x900mm extension pole, screws and bracket adaptors
THEAC-046		0.71	6060 AL	Kit includes 2x1200mm extension pole, screws and bracket adaptors



TT-MTR – Regler für Wandeinbau mit Fernbedienung

Bei diesem Gerät handelt es sich um einen speziell für HEATSTRIP entwickelten und produzierten Regler. Er ermöglicht Ihnen auf einfache Weise Ihre Heizstrahler sparsam und kostengünstig zu nutzen. Er verfügt über einen Timer für den automatischen Betrieb des Heizstrahlers.

Die Timer-Funktion kennt vier Einstellungen. Der Heizstrahler kann damit für 1 Stunde, 2 Stunden, 4 Stunden oder permanent eingeschaltet werden. Der Timer kann an der montierten Einheit selbst oder über die Fernbedienung gesteuert werden. Er kann auf einstündigen, zweistündigen, vierstündigen oder permanenten Betrieb des Heizstrahlers eingestellt werden.



Die Fernbedienung hat eine Reichweite von zehn Metern, wobei sie sich in Sichtverbindung zur Wandeinheit befinden muss.

Bedienung mehrerer Heizstrahler-Einheiten

Es ist möglich, einen Regler zur Bedienung mehrerer Heizstrahler zu verwenden, bis zu einer Stromlast von maximal 16 Ampere. Das Gerät ist für 16 A und 220-240 Volt ausgelegt. Bei Bedarf einer höheren Stromaufnahme lassen Sie sich bitte von Ihrem Elektriker beraten. Er kann über ein Relais weitere Einheiten anschließen.

Montage

Der TT-MTR passt in eine gewöhnliche Aufputz-Anschlussdose. Auch Unterputz-Einbau ist möglich. Der Elektroanschluss muss von einer qualifizierten Fachkraft konform der örtlichen Richtlinien vorgenommen werden.

Bedienung

Betätigen Sie die ON/OFF-Taste, um das Gerät ein- und auszuschalten.

Betätigen Sie die TIMER-Taste, um den Timer auf 1-, 2- oder 4-Stunden Betrieb einzustellen. Die Anzeige-LED gibt wieder, welche Zeitauswahl vorgenommen wurde. Der Timer aktiviert den Heizstrahler und schaltet ihn nach der voreingestellten Zeit automatisch aus.

Sicherheit

Der TT-MTR-Regler muss an einem trockenen Ort installiert werden. Er darf nicht an einer Stelle montiert werden, an der er Wassereinfluss oder Regen ausgesetzt ist.

Überzeugen Sie sich, dass sämtliche Anschlüsse korrekt vorgenommen wurden.

Dieses Gerät ist nicht für die Verwendung durch Personen vorgesehen (Kinder eingeschlossen), die verminderte körperliche, sensorielle oder geistige Fähigkeiten haben oder nicht über ausreichende Erfahrung und Kenntnisse verfügen, außer sie haben von einer Person, die für ihre Sicherheit verantwortlich ist, Anweisungen für den Gebrauch des Geräts erhalten oder werden von dieser beaufsichtigt. Es muss darauf geachtet werden, dass Kinder nicht mit dem Gerät spielen.

Wartung

Der TT-MTR-Regler wurde für eine lange Lebensdauer konstruiert. Die folgenden Pflege- und Nutzungstipps sind dazu ebenfalls hilfreich.

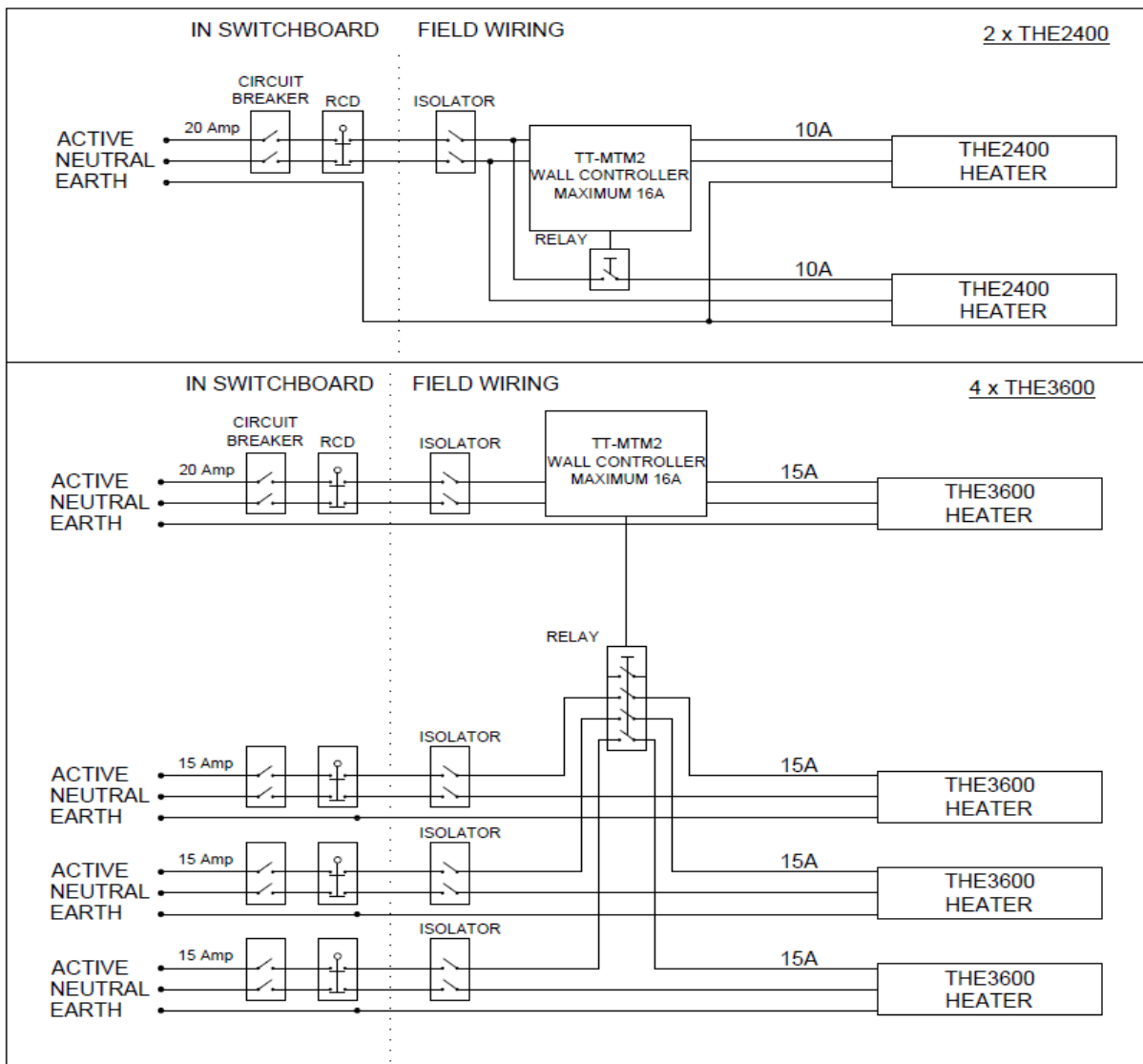
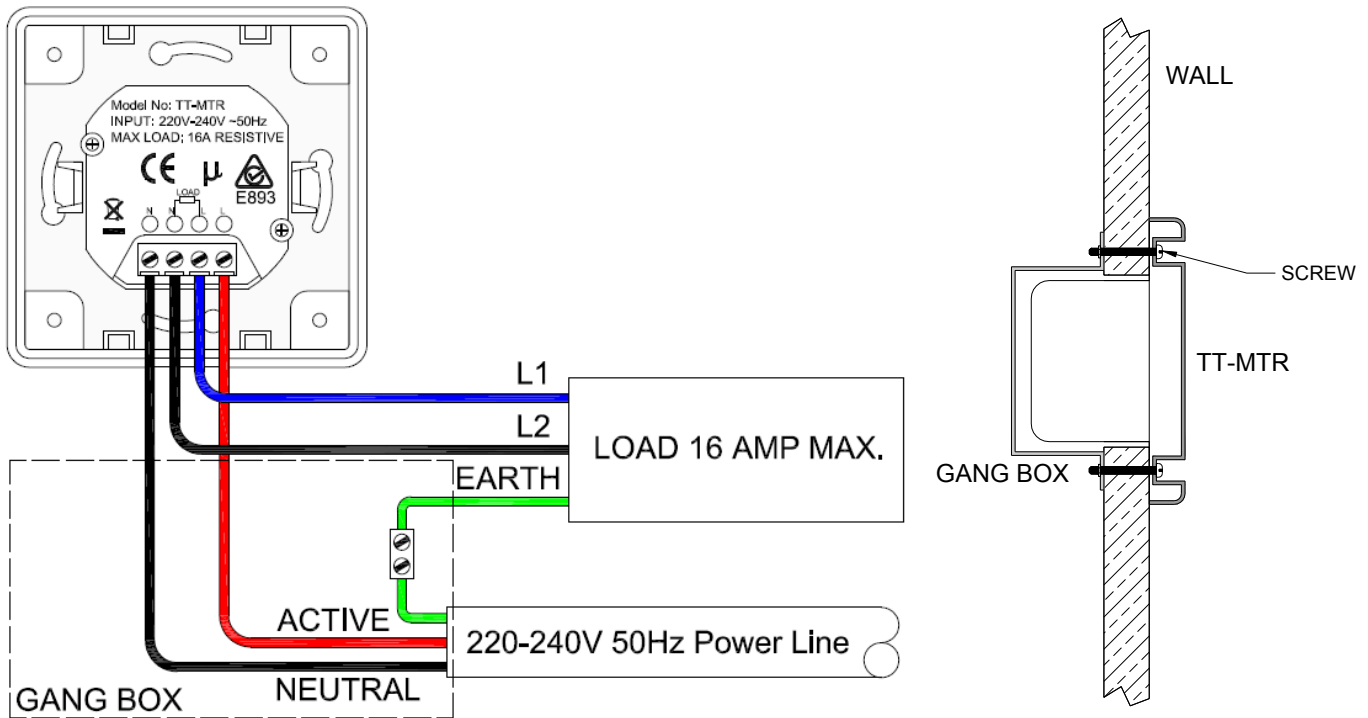
Es wird empfohlen, Staub auf dem Gerät regelmäßig zu entfernen, um die Anzeige sauber zu halten. Eine gründliche Reinigung, wenigstens alle drei Monate, verhindert Anhäufung von Verunreinigungen und gewährleistet gute Funktion und optisch guten Zustand des Geräts.

Verwenden Sie keine scheuernden Materialien oder Putzmittel, um das Gerät zu reinigen. Ebenfalls keine Reinigungssubstanzen auf Lösungsmittel- oder Zitrusbasis oder andere aggressive Reinigungsprodukte. Verwenden Sie zur Reinigung des Geräts kein Wasser oder ein feuchtes Tuch.

MODELL	MAXIMALE SPANNUNG (Volts)	MAXIMALER STROM (Amps)	VERPACKTE ABMESSUNGEN (mm)	GEWICHT (kg)
TT-MTR	220—240	16	80 x 80 x 42	0.5



Installation Regler für Wandeinbau





Sicherheit

HEATSTRIP Elegance wurde der IP-Klasse 55 zugeordnet, d. h., dass das Gerät für eine Wassereindringung von allen Seiten geeignet ist. Der HEATSTRIP Elgance kann unbedenklich abgespült werden. Der HEATSTRIP wurde umfassenden Prüfungen unter Laborbedingungen unterzogen: im Werk von Thermofilm in Melbourne und bei Feldversuchen in Australien, Europa und im Ausland. Durch diese umfassenden Prüfungen kann sich der Käufer darauf verlassen, dass ihm ein hochwertiges Produkt zur Verfügung steht.

In Tests bei unabhängigen Labors wurde bestätigt, dass den australischen und anderen internationalen Normen vollständig entspricht werden. Diese umfassen CE, AS/ANZ, UL/CSE.

Der Heizstrahler wird sowohl als Ausführung mit Stecker (THE2400W) als auch festverdrahtet (THE3600W) geliefert. In beiden Fällen muss der Stromanschluss von einem geprüften Elektriker gemäß den geltenden Bestimmungen für elektrische Anschlüsse vorgenommen werden.

Der HEATSTRIP ist ein Gerät der Klasse 1, das geerdet werden muss.

Während des Betriebs ist der Heizstrahler SEHR HEISS; berühren Sie deshalb bei der Verwendung keine Teile des Geräts. Das Gerät darf erst wieder 30 Minuten nach dem Abschalten berührt werden.

Dieses Gerät ist nicht für die Verwendung durch Personen (einschließlich Kinder) mit eingeschränkten körperlichen, sensorischen oder geistigen Eigenschaften oder mit einem Mangel an Wissen oder Erfahrung geeignet, es sei denn, dass sie von einer Person, die für ihre Sicherheit verantwortlich ist, eine Einweisung zur Verwendung des Geräts erhalten hat, oder diese Person ihr Handeln beaufsichtigt. Kinder müssen immer beaufsichtigt werden, damit gewährleistet ist, dass sie nicht mit dem Gerät spielen.

Kabel, Einrichtungsgegenstände, Möbel, entzündliche Gegenstände oder andere Objekte dürfen nicht in Kontakt mit einer Oberfläche des Heizstrahlers kommen.

Bei einer Installation in einer feuchten Umgebung müssen Schalter und Regler des Heizstrahlers so angebracht werden, dass sie nicht von Personen in der Dusche oder Wanne bedient werden können.

Der Heizstrahler muss gemäß den Installationshinweisen angebracht werden; dabei ist den Mindestabständen besondere Aufmerksamkeit zu widmen.

Der Heizstrahler muss an einer festen Halterung oder einem festen Bügel angebracht werden.

Der Heizstrahler darf nicht direkt über oder vor einem Stromanschluss angebracht werden.

Bei einer Störung des Heizstrahlers oder einem defekten Stromkabel muss das Gerät zum Verkäufer zurückgebracht werden, sodass es Cook & Heat B.V. zur Reparatur eingeschickt werden kann.

Instandhaltung

Der HEATSTRIP Elegance besteht aus soliden Materialien, aber dennoch führen eine regelmäßige Pflege und Instandhaltung Ihres Heizstrahlers zu einer längeren Lebensdauer des Geräts.

Es wird empfohlen, den Heizstrahler abzuspitzen und die Oberflächen mit einem feuchten Tuch und einem milden Reinigungsmittel vorsichtig abzureiben, um die aus der Umgebung stammenden Verunreinigungen zu entfernen. Danach müssen alle Reinigungsmittel vom Heizgerät abgespült werden. Sämtliche Chemikalien aus der Umgebung (wie Zigarettenrauch und Abgase) führen zu Verfärbungen der Geräteoberfläche. In diesem Fall sind eine zusätzliche Reinigung und Wartung erforderlich. Wenn das Gerät mindestens alle drei Monate gereinigt wird, kommt es zu weniger Ablagerungen und behält es ein optimales Aussehen. Sollte der Heizstrahler in einer korrosiven Umgebung (z. B. am Meer) stehen, wird empfohlen, das Gerät jede Woche mit klarem Wasser abzuspolen. Stellen Sie den Heizstrahler nach der Reinigung für 20 Minuten ein, damit Wasserreste trocknen und sich keine Flecken bilden. Der Heizstrahler muss vor der Reinigung und Inspektion ausgeschaltet werden und vollständig abgekühlt sein. Benutzen Sie keine scheuernden Mittel oder Produkte zur Reinigung des Heizstrahlers (dies umfasst Lösungsmittel, Reinigungsmittel auf Zitronenbasis oder andere scharfen Reinigungsprodukte).

Achten Sie auf saubere Hände beim Umgang mit dem Heizstrahler oder tragen Sie saubere Handschuhe, weil Schmutz zu Verunreinigungen auf dem Gerät führen kann. Benutzen Sie zum Säubern keinen Hochdruckreiniger, sondern spritzen Sie das Gerät nur leicht ab.



Garantiebedingungen und -bestimmungen

Cook & Heat B.V. garantiert dem Originaleigentümer, dass die Produkte HEATSTRIP Elegance für einen Zeitraum von 4 Jahre ab dem Zeitpunkt des Ankaufs weder Mängel am Material noch Mängel bei der Verarbeitung aufweisen; diesbezüglich finden die nachstehenden Garantiebedingungen und -bestimmungen Anwendung.

Für einen Garantieanspruch muss den folgenden Auflagen entsprochen werden: Der HEATSTRIP muss entsprechend den Installationshinweisen und den geltenden elektrischen Vorgaben und Bestimmungen installiert werden.

- Der HEATSTRIP muss entsprechend den im Installationshandbuch dargelegten Hinweisen instand gehalten und gereinigt werden.
- In Hinsicht auf den Leistungsbedarf werden weder direkt noch indirekt Garantien gegeben. Die Wahl des Geräts bzw. der Geräte hängt völlig von der Systemauslegung und den Leistungen ab, wie diese vom Käufer bestimmt wurden.
- Der Kunde hat das Gerät weder repariert, geöffnet noch auf eine andere nicht gestattete Weise geändert.
- In dieser Garantie werden Schäden am Produkt oder den Einzelteilen ausgeschlossen, die auf Faktoren zurückzuführen sind, auf die Cook & Heat B.V. keinen Einfluss hat, dies ein- aber nicht ausschließlich zweckentfremdete Verwendung, Veränderungen am Produkt, unsachgemäße Installation, unrichtige Stromversorgung, Beschädigungen bei der Lieferung, unrichtige Anwendung, Missbrauch, fehlerhafte Nutzung, Vandalismus, mangelhafte Instandhaltung oder Unfälle.
- Die Verpflichtungen von Cook & Heat B.V. beschränken sich auf eine Reparatur oder einen Austausch derjenigen Produktteile, die nach dem Ermessen von Cook & Heat B.V. defekt sind.
- Der Kunde kommt allein für die im Rahmen der Rücksendung des Produktes an das Werk von Cook & Heat B.V. (oder einen anderen schriftlich von Cook & Heat B.V. bezeichneten Ort) anfallenden Transportkosten auf.
- Sämtliche Produkte werden vor dem Versand geprüft und inspiziert, und unterliegen nach dem Transport von Cook & Heat B.V. dem Risiko des Käufers, es sei denn, dass sie von Cook & Heat B.V. bis an den Zielort gebracht werden.
- Im Laufe der Zeit kann es zu Verfärbungen der Oberfläche kommen, die keinen Anspruch auf Garantieleistungen darstellen.
- Es kann zu einem Verformen oder Verbiegen des Heizstrahlers kommen, ohne dass dadurch ein Garantieanspruch entsteht.
- Weder Produkte noch Einzelteile werden vor einer Prüfung des fehlerhaften Produkts oder der Einzelteile seitens Cook & Heat B.V. oder eines befugten Vertreters von Cook & Heat B.V. bereitgestellt.
- Cook & Heat B.V. übernimmt keine vor Ort anfallenden (Arbeits-)Kosten im Rahmen des Austauschs von Teilen, einer Reparatur, Demontage, Installation, Instandhaltung, des Transports oder der Handhabung von Teilen für ganze Produkte und haftet ferner nicht für Teile, die ohne ein schriftliches Einverständnis repariert oder ersetzt wurden. Cook & Heat B.V. übernimmt keine Haftung für Ausfälle oder Verzögerungen bei der Einhaltung ihrer Garantiepflichtungen, die auf Faktoren zurückzuführen sind, die außerhalb ihrer Einflussnahme liegen; dies umfasst ein- aber nicht ausschließlich rechtliche oder staatliche Einschränkungen, Streiks, Brand, Hochwasser, extreme Witterungsbedingungen und eine verzögerte Lieferung von Einzelteilen.

Sollte sich bei der Ankunft herausstellen, dass Produkte defekt sind, ist die Transportfirma umgehend über den Zustand in Kenntnis zu setzen, der außerdem auf den Frachtpapieren festgehalten wird. Sollten sich Beschädigungen erst nach dem Auspacken herausstellen, ist eine sofortige Inspektion seitens der Transportfirma zu verlangen, und haben die Beschädigungen auf den Frachtpapieren deutlich angeführt zu werden.

Der Kunde gewährleistet, das Produkt unter Beachtung der folgenden Bestimmungen zu verwenden:

- Die von Cook & Heat B.V. im gewissen Abständen bereitgestellten Informationen werden beachtet.
- Sämtliche staatlichen und vor Ort geltenden Bestimmungen werden beachtet, dies ein- aber nicht ausschließlich der geltenden elektrischen Auflagen, Umweltgesetze sowie der Bestimmungen zur Installation, Lagerung, Verwendung, Handhabung und Wartung der Produkte.
- Sämtliche erforderlichen und angemessenen Vorsichts- und Sicherheitsmaßnahmen in Bezug auf die Installation, Lagerung, Verwendung, Handhabung und Wartung der Produkte werden beachtet.

VERTRIEBEN VON:

Cook & Heat B.V.
www.heatstrip.eu

HERGESTELLT VON:

Thermofilm Australia Pty Ltd
17 Johnston Court
Dandenong South,
Victoria, 3175 Australia